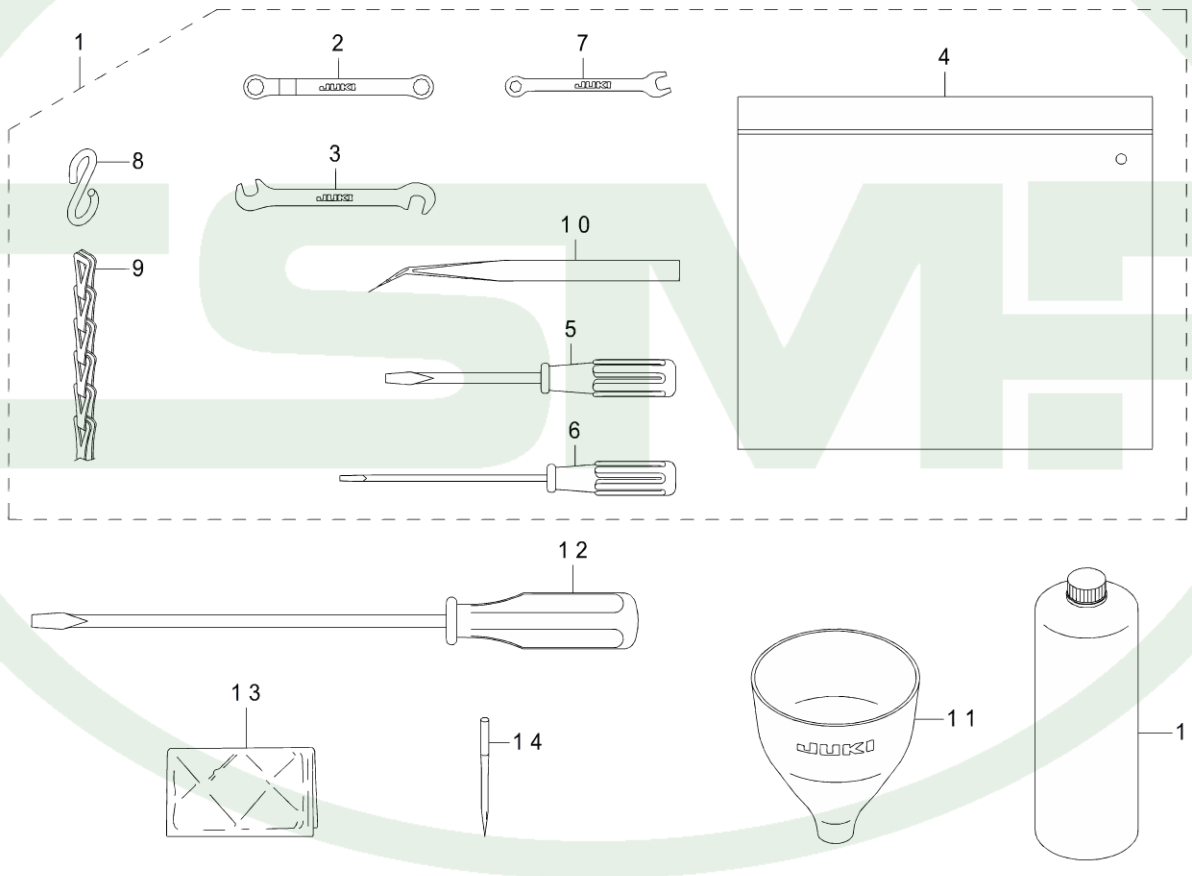


| No | note | Parts No.   | DESCRIPTION                   | Qty |
|----|------|-------------|-------------------------------|-----|
| 1  | #01  | SS8080322TP | SCREW 1/8-44 L=3.2            | 1   |
| 2  | #02  | SS8080322TP | SCREW 1/8-44 L=3.2            | 2   |
| 3  |      | B9112804000 | SPANNER                       | 1   |
| 4  | #05  | 12120713    | CHAIN LOOPER                  | 1   |
| 5  |      | 11544707    | UPPER LOOPER SUPPORT ARM      | 1   |
| 6  | #01  | 11898103    | PRESSER FOOT AUXILIARY PLATE  | 1   |
| 7  |      | 12123709    | LOWER LOOPER SUPPORT ARM      | 1   |
| 8  | #03  | B2519804000 | UPPER LOOPER                  | 1   |
| 9  | #04  | B2519814000 | UPPER LOOPER                  | 1   |
| 10 |      | B2521804000 | LOWER LOOPER                  | 1   |
| 11 | #01  | SS4080620TP | SCREW 1/8-44 L=6              | 1   |
| 12 |      | SS6080410SP | SCREW 1/8-44 L=4              | 1   |
| 13 |      | 11847605    | LOWER KNIFE                   | 1   |
| 14 |      | 11964509    | CERAMIC LOWER KNIFE           | 1   |
| 15 |      | 11992005    | LOWER KNIFE                   | 1   |
| 16 |      | 11965753    | PEDAL ASM.                    | 1   |
| 17 |      | SM9061203SE | SCREW M6 L=12                 | (2) |
| 18 |      | 11965704    | PEDAL                         | (1) |
| 19 |      | 11965803    | PEDAL THRUST COLLAR           | (2) |
| 20 |      | PS0200062KH | SPRING PIN 2X6                | 1   |
| 21 | #05  | 12105458    | CLOTH PLATE ASM.              | 1   |
| 22 |      | 12104550    | CLOTH PLATE ASM.              | (1) |
| 23 |      | 11501301    | ECCENTRIC BUSHING             | (1) |
| 24 |      | WZ0420350KP | DISC SPRING                   | (1) |
| 25 |      | CS0400671SD | THRUST HOLDER                 | (1) |
| 26 |      | SM8040302TP | SETSCREW                      | (1) |
| 27 | #05  | 11949104    | CLOTH BASE COVER              | 1   |
| 28 | #01  | B1539804000 | PRESSER FOOT FIXING PLATE     | 1   |
| 29 | #01  | SS6060410TP | SCREW 3/32-56 L=3.5           | 1   |
| 30 | #04  | 12152468    | PRESSER FOOT(FINGER GUARD)    | 1   |
| 31 |      | 11872009    | PRESSER FOOT HINGE            | (1) |
| 32 |      | SS6090670TP | SCREW 9/64-40 L=6             | (1) |
| 33 |      | B1530804000 | STOPPER                       | (1) |
| 34 |      | WP0250516SD | WASHER 2.5X6X0.5              | (1) |
| 35 |      | SS7060610SP | SCREW 3/32-56 L=5.5           | (1) |
| 36 |      | SS6060210SP | SCREW 3/32-56 L=1.9           | (1) |
| 37 |      | B1511814000 | REAR PRESSER FOOT             | (1) |
| 38 |      | B150781400P | PRESSER FOOT                  | (1) |
| 39 |      | SS7080520SP | SCREW 1/8-44 L=4.9            | (1) |
| 40 |      | B150880400B | SPRING                        | (1) |
| 41 |      | 12160008    | STITCH TONGUE                 | (1) |
| 42 |      | SS6060440TP | SCREW 3/32-56 L=3.5           | (1) |
| 43 |      | B1510814000 | CURL GUARD                    | (1) |
| 44 |      | 13178306    | FINGER GUARD                  | 1   |
| 45 | #01  | 11598000    | UPPER KNIFE SUPPORT           | 1   |
| 46 | #01  | 11845807    | UPPER KNIFE                   | 1   |
| 47 | #01  | SS9111610SP | SCREW 11/64-40 L=16           | 1   |
| 48 | #05  | 11845500    | UPPER KNIFE SUPPORT           | 1   |
| 49 | #05  | 11845906    | UPPER KNIFE                   | 1   |
| 50 | #05  | SS9112310SP | SCREW 11/64-40 L=23           | 1   |
| 51 | #05  | 11565504    | UPPER KNIFE PRESSER PLATE     | 1   |
| 52 |      | 11565702    | WASHER                        | 1   |
| 53 |      | 11848405    | UPPER KNIFE COVER             | 1   |
| 54 |      | SS4060310SP | SCREW 3/32-56 L=2.5           | 1   |
| 55 |      | SS4060310SP | SCREW 3/32-56 L=2.5           | 1   |
| 56 |      | 40025294    | SYNCHRONIZER STOPPER ASM.     | 1   |
| 57 |      | 40011755    | SYNCHRONIZER TURN STOPPER ASM | 1   |
| 58 |      | 40011757    | SYNCHRONIZER STOPPER BASE     | (1) |
| 59 |      | 40022255    | SYNCHRONIZER STOPPER          | (1) |
| 60 |      | SS5120810SP | SCREW                         | (1) |
| 61 |      | SS9154540SP | SCREW 15/64-28 L=45           | (1) |
| 62 |      | 40011758    | SYNCHRONIZER BASE COLLAR      | (1) |
| 63 |      | 40036778    | V. BELT SLIDER                | 1   |
| 64 | #04  | 40030533    | PRESSER FOOT AUXILIARY PLATE  | 1   |

1...#01FOR MO-6704S / 2...#02FOR MO-6714S/MO-6716S / 3...#03FOR MO-6704S/MO-6716S / 4...#04FOR MO-6714S / 5...#05FOR MO-6716S / 6... /

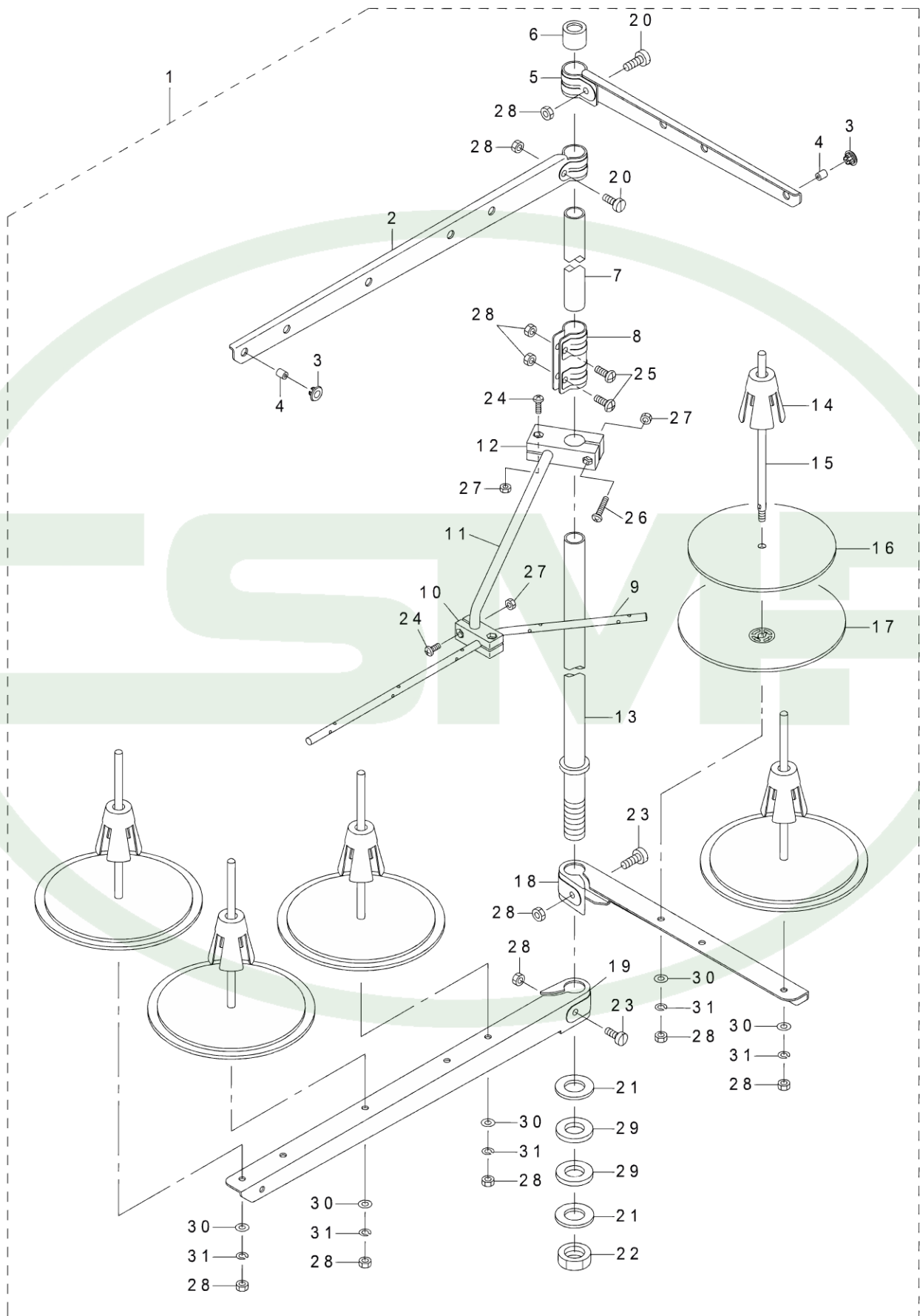


| No | note | Parts No.   | DESCRIPTION           | Qty |
|----|------|-------------|-----------------------|-----|
| 1  |      | 13160858    | ACCESSORIE BAG ASM.   | 1   |
| 2  |      | 13160007    | RING SPANNER          | (1) |
| 3  |      | 13160205    | PIN SPANNER           | (1) |
| 4  |      | 22932800    | ACCESSORIE BAG        | (1) |
| 5  |      | 22933105    | SCREW DRIVER MIDDLE   | (1) |
| 6  |      | 12347308    | SCREW DRIVER (SMALL)  | (1) |
| 7  |      | 13160106    | SPANNER (5X6)         | (1) |
| 8  |      | 13160304    | S SHAPED HOOK         | (2) |
| 9  |      | 13160403    | CHAIN                 | (1) |
| 10 |      | 12288403    | TWEEZERS              | (1) |
| 11 |      | 13160601    | FUNNEL                | 1   |
| 12 |      | 22933006    | SCREW DRIVER LARGE    | 1   |
| 13 |      | 40048535    | HEAD COVER            | 1   |
| 14 |      | MDC270B1104 | NEEDLE DCX27 #11-4EA. | 1   |
| 15 |      | MML018900CA | JUKI MACHINE OIL 18   | 1   |

1... / 2...undefined / 3...undefined / 4...undefined / 5...undefined / 6...undefined / 7...undefined / 8...undefined / 9...undefined / 10...undefined / 11...undefined / 12...undefined / 13...undefined / 14...undefined / 15...undefined / 16...undefined / 17...undefined / 18...undefined / 19...undefined / 20...undefined / 21...undefined / 22...undefined / 23...undefined / 24...undefined / 25...undefined / 26...undefined / 27...undefined / 28...undefined / 29...undefined / 30...undefined / 31...undefined / 32...undefined / 33...undefined / 34...undefined / 35...undefined / 36...undefined / 37...undefined / 38...undefined / 39...undefined / 40...undefined / 41...undefined / 42...undefined / 43...undefined / 44...undefined / 45...undefined / 46...undefined / 47...undefined / 48...undefined / 49...undefined / 50...undefined / 51...undefined / 52...undefined / 53...undefined / 54...undefined / 55...undefined / 56...undefined / 57...undefined / 58...undefined / 59...undefined / 60...undefined / 61...undefined / 62...undefined /



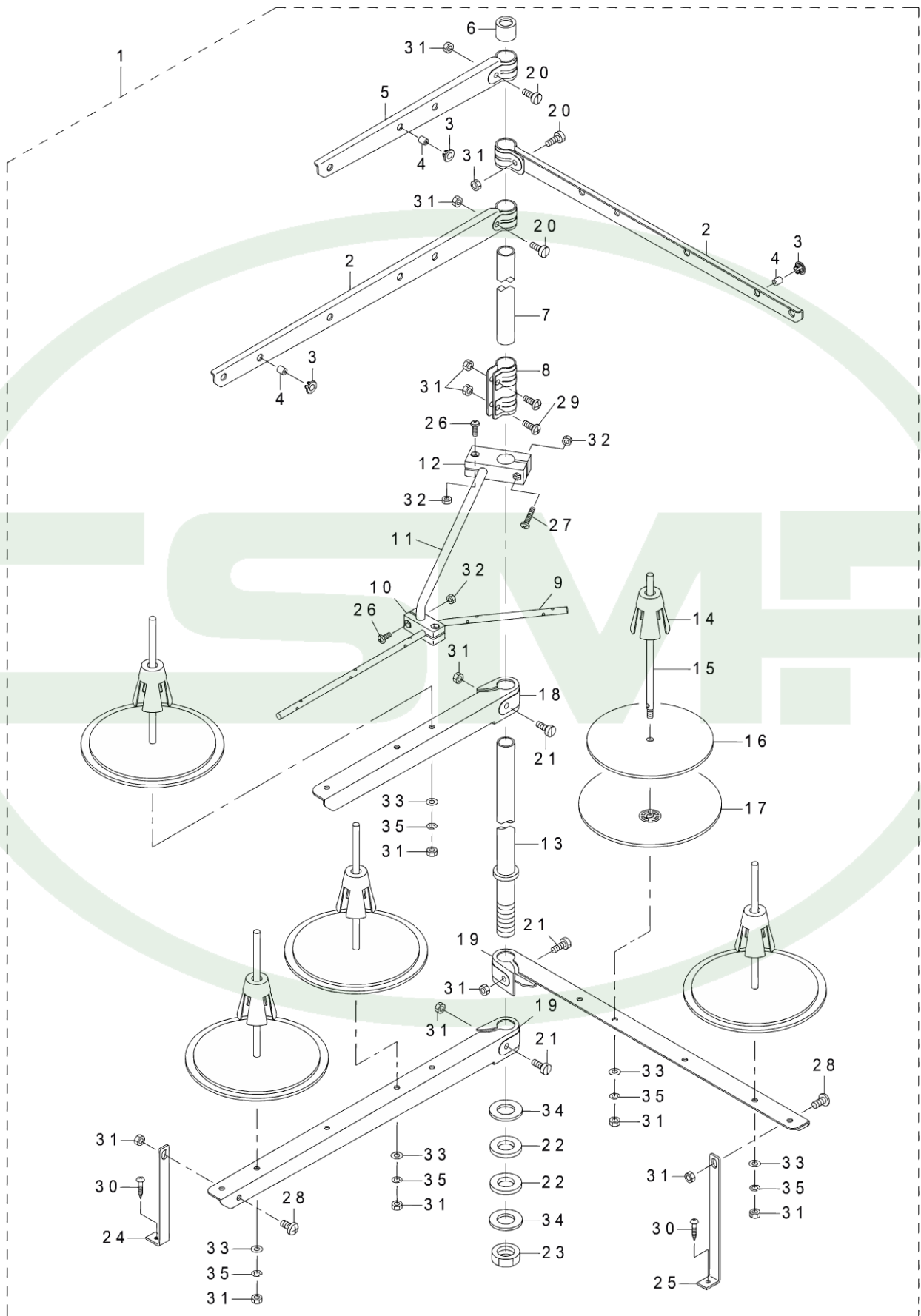




| No | note | Parts No.   | DESCRIPTION                   | Qty  |
|----|------|-------------|-------------------------------|------|
| 1  |      | 40106591    | THREAD STAND ASM.             | 1    |
| 2  |      | 40106575    | SPOOL REST LONG ARM UPPER     | (1)  |
| 3  |      | 40085794    | THREAD GUIDE                  | (5)  |
| 4  |      | 40085795    | THREAD GUIDE BUSHING          | (5)  |
| 5  |      | 40085787    | SPOOL REST ARM UPPER          | (1)  |
| 6  |      | 40085793    | SPOOL REST ROD RUBBER CAP     | (1)  |
| 7  |      | 40085785    | SPOOL REST ROD UPPER          | (1)  |
| 8  |      | 40085792    | SPOOL REST ROD JOINT          | (1)  |
| 9  |      | 40106581    | THREAD GUIDE 5                | (1)  |
| 10 |      | 40106580    | THREAD GUIDE UNDER BASE       | (1)  |
| 11 |      | 40106576    | THREAD GUIDE ARM              | (1)  |
| 12 |      | 40106579    | THREAD GUIDE ARM BASE         | (1)  |
| 13 |      | 40085784    | SPOOL REST ROD LOWER          | (1)  |
| 14 |      | 40085791    | SPOOL RETAINER                | (5)  |
| 15 |      | 40085790    | SPOOL PIN                     | (5)  |
| 16 |      | 40085789    | SPOOL REST CUSHION            | (5)  |
| 17 |      | 40085788    | SPOOL REST                    | (5)  |
| 18 |      | 40085786    | SPOOL REST ARM LOWER          | (1)  |
| 19 |      | 40106574    | SPOOL REST LONG ARM LOWER     | (1)  |
| 20 |      | 40096327    | SPOOL REST ARM UPPER SCREW    | (2)  |
| 21 |      | 40085796    | SPOOL REST ROD RUBBER CUSHION | (2)  |
| 22 |      | 40096325    | SPOOL REST ROD NUT            | (1)  |
| 23 |      | 40096326    | SPOOL REST ARM LOWER SCREW    | (2)  |
| 24 |      | SM4041201SC | SCREW M4 L=12                 | (3)  |
| 25 |      | SM4051405SE | SCREW M5 L=14                 | (2)  |
| 26 |      | SM4042501SC | SCREW M4X0.7 L=25             | (1)  |
| 27 |      | NM6040002SC | NUT M4                        | (4)  |
| 28 |      | NM6050001SE | NUT M5                        | (11) |
| 29 |      | WP1612616SE | WASHER 16X30X2.6              | (2)  |
| 30 |      | WP0531001SC | WASHER M5                     | (5)  |
| 31 |      | WS0510002KN | SPRING WASHER M5              | (5)  |

1... /



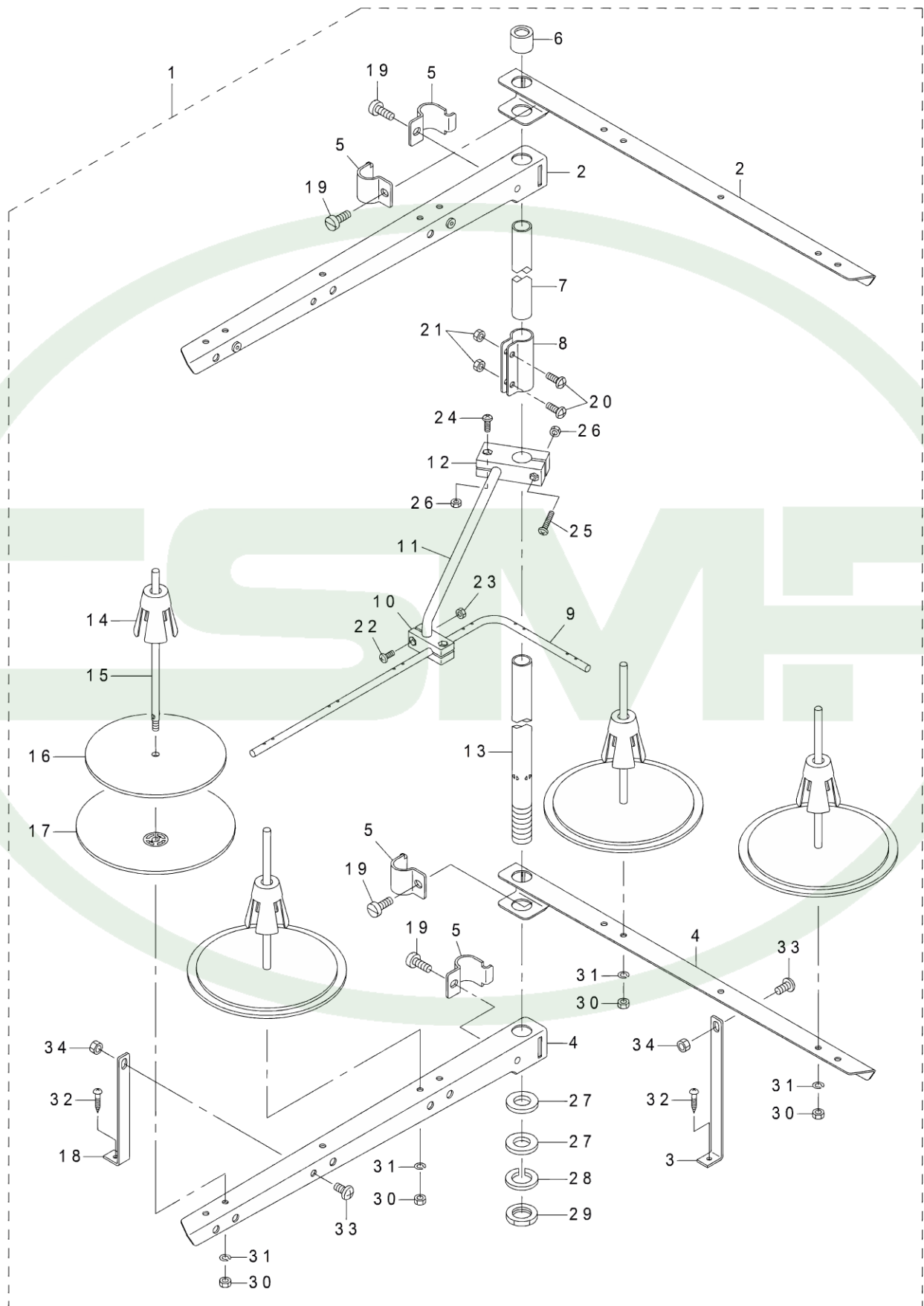


| No | note | Parts No.   | DESCRIPTION                   | Qty  |
|----|------|-------------|-------------------------------|------|
| 1  |      | 40106604    | THREAD STAND ASM.             | 1    |
| 2  |      | 40106575    | SPOOL REST LONG ARM UPPER     | (2)  |
| 3  |      | 40085794    | THREAD GUIDE                  | (5)  |
| 4  |      | 40085795    | THREAD GUIDE BUSHING          | (5)  |
| 5  |      | 40085787    | SPOOL REST ARM UPPER          | (1)  |
| 6  |      | 40085793    | SPOOL REST ROD RUBBER CAP     | (1)  |
| 7  |      | 40085785    | SPOOL REST ROD UPPER          | (1)  |
| 8  |      | 40085792    | SPOOL REST ROD JOINT          | (1)  |
| 9  |      | 40106581    | THREAD GUIDE 5                | (1)  |
| 10 |      | 40106580    | THREAD GUIDE UNDER BASE       | (1)  |
| 11 |      | 40106576    | THREAD GUIDE ARM              | (1)  |
| 12 |      | 40106579    | THREAD GUIDE ARM BASE         | (1)  |
| 13 |      | 40085784    | SPOOL REST ROD LOWER          | (1)  |
| 14 |      | 40085791    | SPOOL RETAINER                | (5)  |
| 15 |      | 40085790    | SPOOL PIN                     | (5)  |
| 16 |      | 40085789    | SPOOL REST CUSHION            | (5)  |
| 17 |      | 40085788    | SPOOL REST                    | (5)  |
| 18 |      | 40085786    | SPOOL REST ARM LOWER          | (1)  |
| 19 |      | 40106574    | SPOOL REST LONG ARM LOWER     | (2)  |
| 20 |      | 40096327    | SPOOL REST ARM UPPER SCREW    | (3)  |
| 21 |      | 40096326    | SPOOL REST ARM LOWER SCREW    | (3)  |
| 22 |      | 40085796    | SPOOL REST ROD RUBBER CUSHION | (2)  |
| 23 |      | 40096325    | SPOOL REST ROD NUT            | (1)  |
| 24 |      | 40106577    | SPOOL REST ARM LOWER A        | (1)  |
| 25 |      | 40106578    | SPOOL REST ARM LOWER B        | (1)  |
| 26 |      | SM4041201SC | SCREW M4 L=12                 | (3)  |
| 27 |      | SM4042501SC | SCREW M4X0.7 L=25             | (1)  |
| 28 |      | SM4051001SE | SCREW M5 L=10                 | (2)  |
| 29 |      | SM4051405SE | SCREW M5 L=14                 | (2)  |
| 30 |      | SK3412001SE | WOOD SCREW D=4.1 L=20         | (2)  |
| 31 |      | NM6050001SE | NUT M5                        | (15) |
| 32 |      | NM6040002SC | NUT M4                        | (4)  |
| 33 |      | WP0531001SC | WASHER M5                     | (5)  |
| 34 |      | WP1612616SE | WASHER 16X30X2.6              | (2)  |
| 35 |      | WS0510002KN | SPRING WASHER M5              | (5)  |

1... /

| No | note | Parts No.   | DESCRIPTION                   | Qty  |
|----|------|-------------|-------------------------------|------|
| 1  |      | 40106593    | THREAD STAND ASM.             | 1    |
| 2  |      | 40106575    | SPOOL REST LONG ARM UPPER     | (2)  |
| 3  |      | 40085795    | THREAD GUIDE BUSHING          | (4)  |
| 4  |      | 40085794    | THREAD GUIDE                  | (4)  |
| 5  |      | 40096327    | SPOOL REST ARM UPPER SCREW    | (2)  |
| 6  |      | 40106577    | SPOOL REST ARM LOWER A        | (1)  |
| 7  |      | 40106574    | SPOOL REST LONG ARM LOWER     | (2)  |
| 8  |      | 40096326    | SPOOL REST ARM LOWER SCREW    | (2)  |
| 9  |      | 40106578    | SPOOL REST ARM LOWER B        | (1)  |
| 10 |      | 40085784    | SPOOL REST ROD LOWER          | (1)  |
| 11 |      | 40096325    | SPOOL REST ROD NUT            | (1)  |
| 12 |      | 40085789    | SPOOL REST CUSHION            | (4)  |
| 13 |      | 40085796    | SPOOL REST ROD RUBBER CUSHION | (2)  |
| 14 |      | 40085785    | SPOOL REST ROD UPPER          | (1)  |
| 15 |      | 40085793    | SPOOL REST ROD RUBBER CAP     | (1)  |
| 16 |      | 40085792    | SPOOL REST ROD JOINT          | (1)  |
| 17 |      | 40106576    | THREAD GUIDE ARM              | (1)  |
| 18 |      | 40106579    | THREAD GUIDE ARM BASE         | (1)  |
| 19 |      | 40106582    | THREAD GUIDE 4                | (1)  |
| 20 |      | 40106580    | THREAD GUIDE UNDER BASE       | (1)  |
| 21 |      | 40085788    | SPOOL REST                    | (4)  |
| 22 |      | 40085790    | SPOOL PIN                     | (4)  |
| 23 |      | 40085791    | SPOOL RETAINER                | (4)  |
| 24 |      | SM4041201SC | SCREW M4 L=12                 | (3)  |
| 25 |      | SM4051405SE | SCREW M5 L=14                 | (2)  |
| 26 |      | SM4042501SC | SCREW M4X0.7 L=25             | (1)  |
| 27 |      | SM4051001SE | SCREW M5 L=10                 | (2)  |
| 28 |      | SK3412001SE | WOOD SCREW D=4.1 L=20         | (2)  |
| 29 |      | NM6050001SE | NUT M5                        | (12) |
| 30 |      | NM6040002SC | NUT M4                        | (4)  |
| 31 |      | WP0531001SC | WASHER M5                     | (4)  |
| 32 |      | WP1612616SE | WASHER 16X30X2.6              | (2)  |
| 33 |      | WS0510002KN | SPRING WASHER M5              | (4)  |

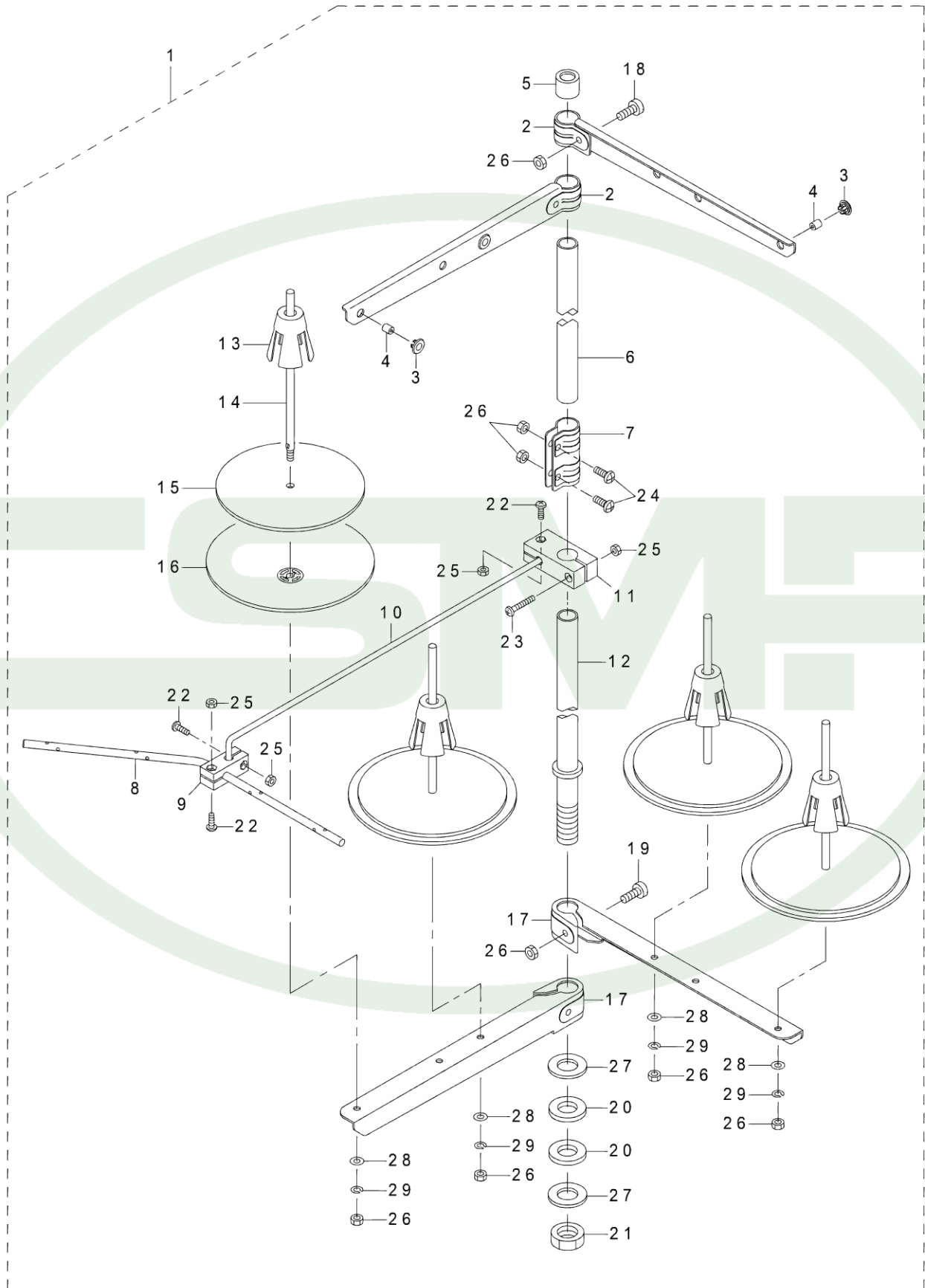
1... /



| No | note | Parts No.   | DESCRIPTION                   | Qty  |
|----|------|-------------|-------------------------------|------|
| 1  |      | 40106590    | THREAD STAND ASM.             | 1    |
| 2  |      | 40085787    | SPOOL REST ARM UPPER          | (2)  |
| 3  |      | 40085795    | THREAD GUIDE BUSHING          | (4)  |
| 4  |      | 40085794    | THREAD GUIDE                  | (4)  |
| 5  |      | 40085793    | SPOOL REST ROD RUBBER CAP     | (1)  |
| 6  |      | 40085785    | SPOOL REST ROD UPPER          | (1)  |
| 7  |      | 40085792    | SPOOL REST ROD JOINT          | (1)  |
| 8  |      | 40106582    | THREAD GUIDE 4                | (1)  |
| 9  |      | 40106580    | THREAD GUIDE UNDER BASE       | (1)  |
| 10 |      | 40106576    | THREAD GUIDE ARM              | (1)  |
| 11 |      | 40106579    | THREAD GUIDE ARM BASE         | (1)  |
| 12 |      | 40085784    | SPOOL REST ROD LOWER          | (1)  |
| 13 |      | 40085791    | SPOOL RETAINER                | (4)  |
| 14 |      | 40085790    | SPOOL PIN                     | (4)  |
| 15 |      | 40085789    | SPOOL REST CUSHION            | (4)  |
| 16 |      | 40085788    | SPOOL REST                    | (4)  |
| 17 |      | 40085786    | SPOOL REST ARM LOWER          | (2)  |
| 18 |      | 40096327    | SPOOL REST ARM UPPER SCREW    | (2)  |
| 19 |      | 40096326    | SPOOL REST ARM LOWER SCREW    | (2)  |
| 20 |      | 40085796    | SPOOL REST ROD RUBBER CUSHION | (2)  |
| 21 |      | 40096325    | SPOOL REST ROD NUT            | (1)  |
| 22 |      | SM4041201SC | SCREW M4 L=12                 | (3)  |
| 23 |      | SM4042501SC | SCREW M4X0.7 L=25             | (1)  |
| 24 |      | SM4051405SE | SCREW M5 L=14                 | (2)  |
| 25 |      | NM6040002SC | NUT M4                        | (4)  |
| 26 |      | NM6050001SE | NUT M5                        | (10) |
| 27 |      | WP1612616SE | WASHER 16X30X2.6              | (2)  |
| 28 |      | WP0531001SC | WASHER M5                     | (4)  |
| 29 |      | WS0510002KN | SPRING WASHER M5              | (4)  |

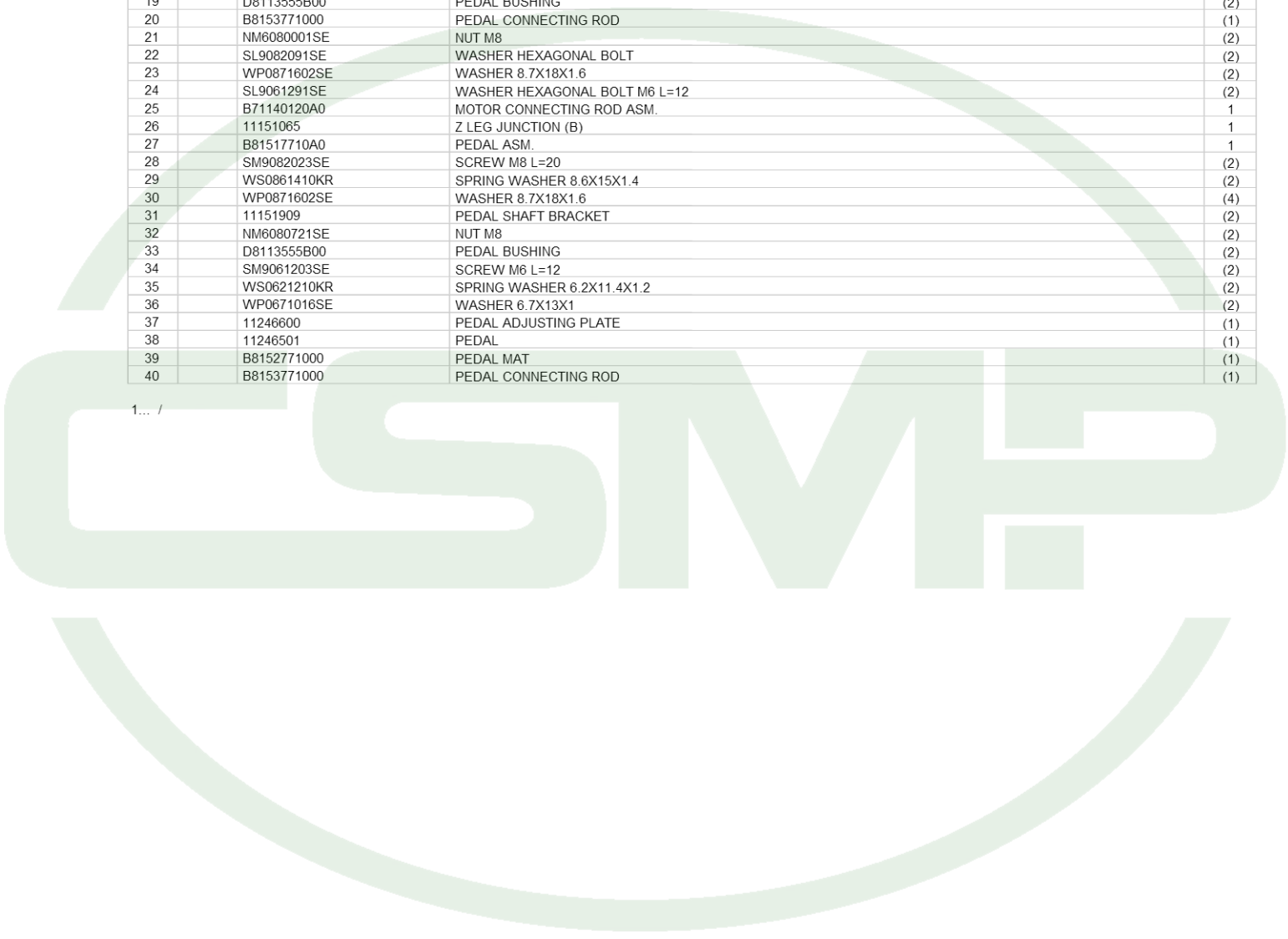
1... /

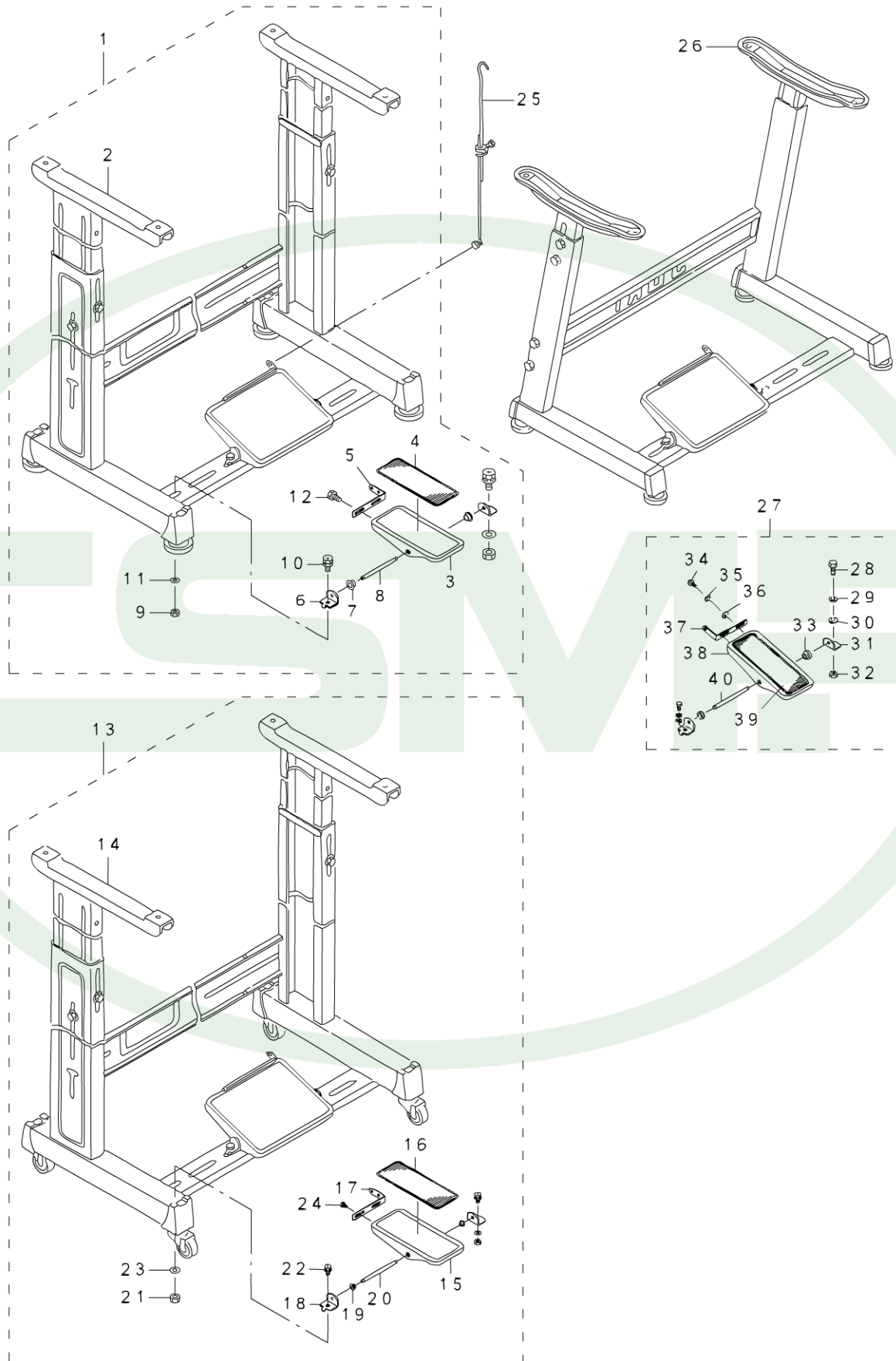




| No | note | Parts No.   | DESCRIPTION                   | Qty |
|----|------|-------------|-------------------------------|-----|
| 1  |      | 11960655    | T STAND JUNCTION              | 1   |
| 2  |      | 11157567    | T LEG JUNCTION                | (1) |
| 3  |      | GPF06060000 | PEDAL                         | (1) |
| 4  |      | GPF06070000 | PEDAL MAT                     | (1) |
| 5  |      | GPF06080000 | PEDAL ADJUSTING PLATE         | (1) |
| 6  |      | 11159001    | PEDAL SHAFT BRACKET           | (2) |
| 7  |      | D8113555B00 | PEDAL BUSHING                 | (2) |
| 8  |      | B8153771000 | PEDAL CONNECTING ROD          | (1) |
| 9  |      | NM6080001SE | NUT M8                        | (2) |
| 10 |      | SL9082091SE | WASHER HEXAGONAL BOLT         | (2) |
| 11 |      | WP0871602SE | WASHER 8.7X18X1.6             | (2) |
| 12 |      | SL9061291SE | WASHER HEXAGONAL BOLT M6 L=12 | (2) |
| 13 |      | 11960754    | T STAND JUNCTION(WITH CASTER) | 1   |
| 14 |      | 11159365    | T STAND JUNCTION              | (1) |
| 15 |      | GPF06060000 | PEDAL                         | (1) |
| 16 |      | GPF06070000 | PEDAL MAT                     | (1) |
| 17 |      | GPF06080000 | PEDAL ADJUSTING PLATE         | (1) |
| 18 |      | 11159001    | PEDAL SHAFT BRACKET           | (2) |
| 19 |      | D8113555B00 | PEDAL BUSHING                 | (2) |
| 20 |      | B8153771000 | PEDAL CONNECTING ROD          | (1) |
| 21 |      | NM6080001SE | NUT M8                        | (2) |
| 22 |      | SL9082091SE | WASHER HEXAGONAL BOLT         | (2) |
| 23 |      | WP0871602SE | WASHER 8.7X18X1.6             | (2) |
| 24 |      | SL9061291SE | WASHER HEXAGONAL BOLT M6 L=12 | (2) |
| 25 |      | B71140120A0 | MOTOR CONNECTING ROD ASM.     | 1   |
| 26 |      | 11151065    | Z LEG JUNCTION (B)            | 1   |
| 27 |      | B81517710A0 | PEDAL ASM.                    | 1   |
| 28 |      | SM9082023SE | SCREW M8 L=20                 | (2) |
| 29 |      | WS0861410KR | SPRING WASHER 8.6X15X1.4      | (2) |
| 30 |      | WP0871602SE | WASHER 8.7X18X1.6             | (4) |
| 31 |      | 11151909    | PEDAL SHAFT BRACKET           | (2) |
| 32 |      | NM6080721SE | NUT M8                        | (2) |
| 33 |      | D8113555B00 | PEDAL BUSHING                 | (2) |
| 34 |      | SM9061203SE | SCREW M6 L=12                 | (2) |
| 35 |      | WS0621210KR | SPRING WASHER 6.2X11.4X1.2    | (2) |
| 36 |      | WP0671016SE | WASHER 6.7X13X1               | (2) |
| 37 |      | 11246600    | PEDAL ADJUSTING PLATE         | (1) |
| 38 |      | 11246501    | PEDAL                         | (1) |
| 39 |      | B8152771000 | PEDAL MAT                     | (1) |
| 40 |      | B8153771000 | PEDAL CONNECTING ROD          | (1) |

1... /

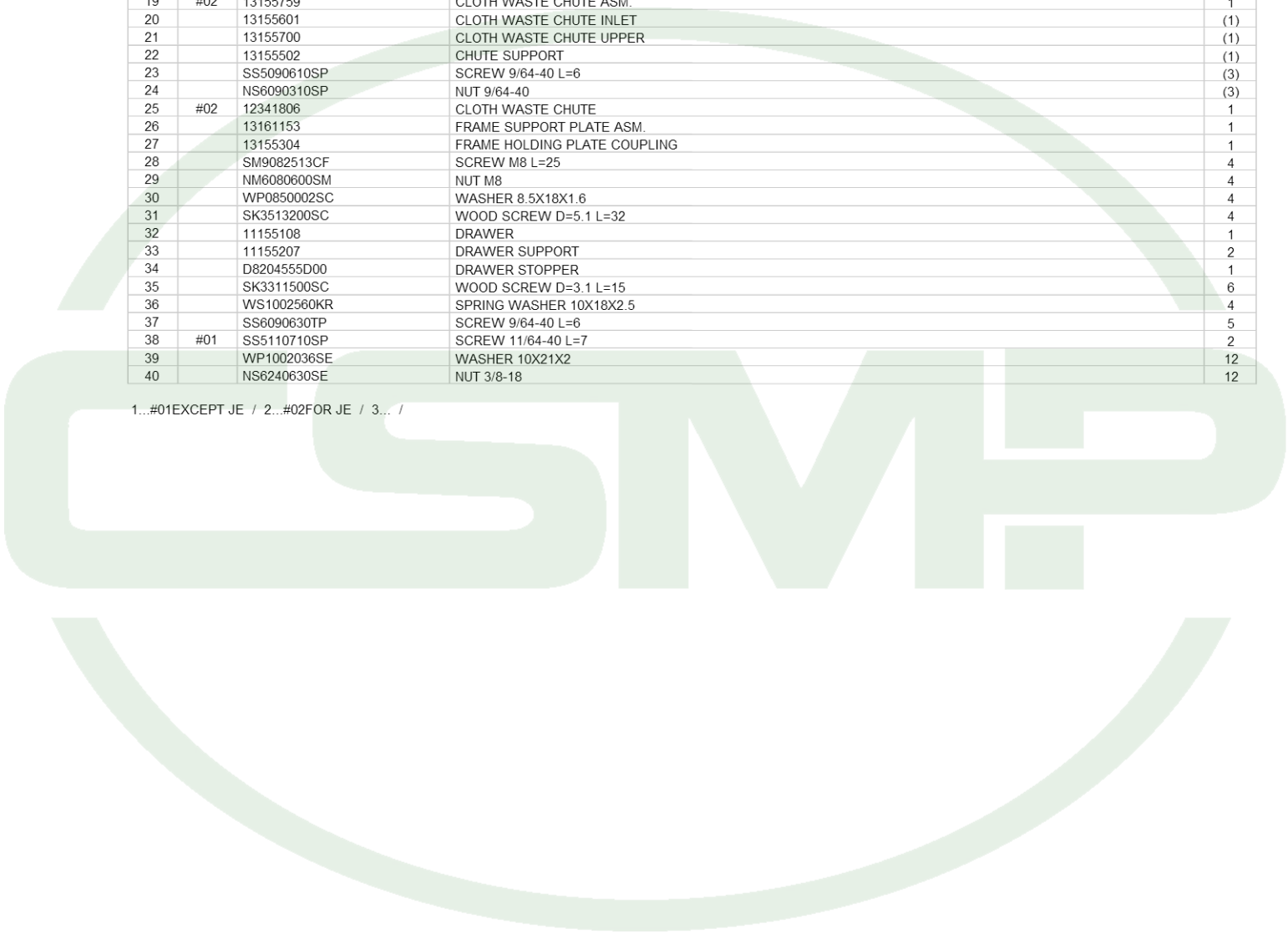


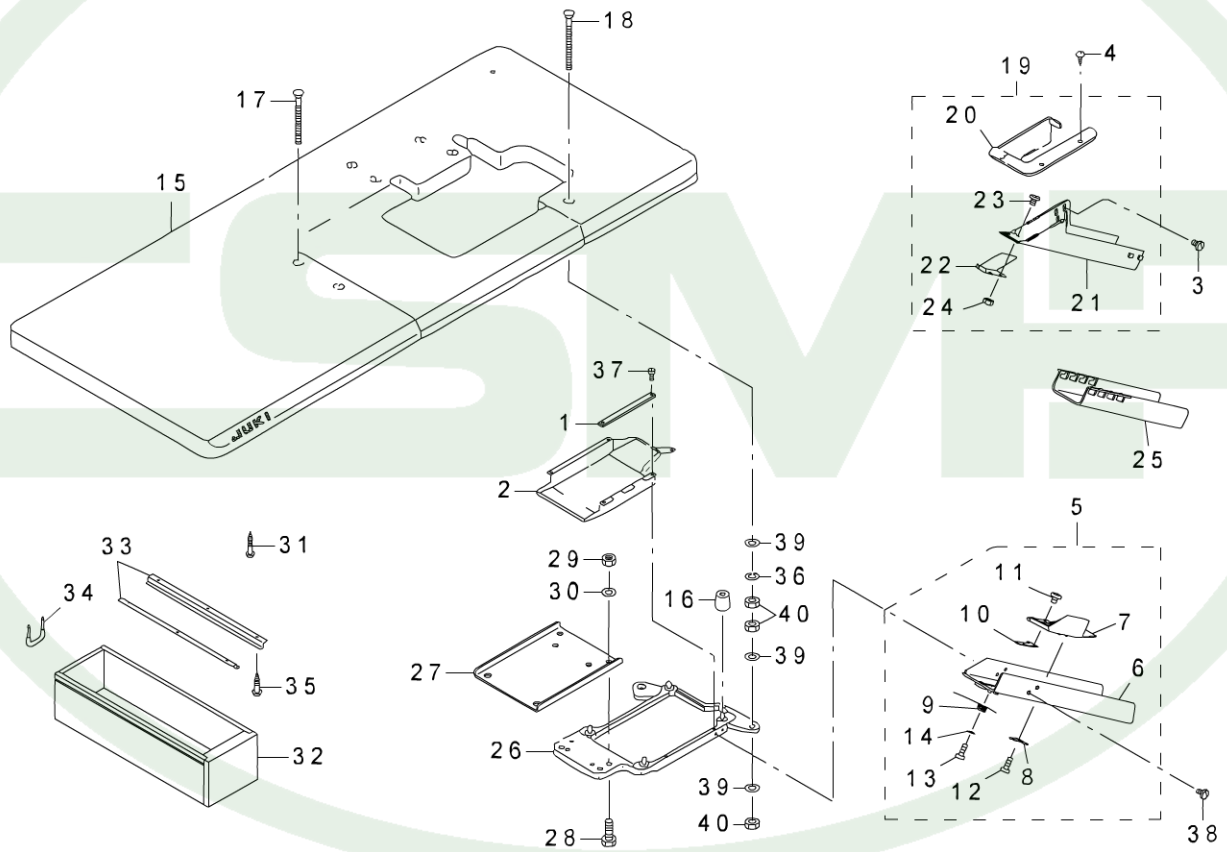




| No | note | Parts No.   | DESCRIPTION                  | Qty |
|----|------|-------------|------------------------------|-----|
| 1  |      | 13161005    | CASE SPONGE                  | 1   |
| 2  |      | 13160908    | COOLING FAN CASE             | 1   |
| 3  | #02  | SS5110710SP | SCREW 11/64-40 L=7           | 2   |
| 4  | #02  | SK2351600SC | WOOD SCREW D=3.5 L=16        | 3   |
| 5  | #01  | 13155858    | CLOTH WASTE CHUTE ASM.       | 1   |
| 6  |      | 13156203    | CLOTH WASTE CHUTE            | (1) |
| 7  |      | 13156302    | CLOTH WASTE CHUTE INLET      | (1) |
| 8  |      | 13155908    | CHUTE INLET LEVER            | (1) |
| 9  |      | 13156005    | CHUTE INLET SPRING           | (1) |
| 10 |      | 13156104    | CHUTE INLET RUBBER           | (1) |
| 11 |      | SS6090420SP | SCREW 9/64-40 L=4.0          | (2) |
| 12 |      | ST60308210A | SCREW D=3-24 L=8             | (2) |
| 13 |      | ST60308210A | SCREW D=3-24 L=8             | (1) |
| 14 |      | WP0370316SD | WASHER 3.7X8X0.3             | (1) |
| 15 |      | 11959558    | TABLE ASM.                   | 1   |
| 16 |      | 13155403    | DUST-PROOF RUBBER            | 4   |
| 17 |      | 13155106    | HOLDING PLATE BOLT C         | 2   |
| 18 |      | 13155205    | HOLDING PLATE BOLT D         | 2   |
| 19 | #02  | 13155759    | CLOTH WASTE CHUTE ASM.       | 1   |
| 20 |      | 13155601    | CLOTH WASTE CHUTE INLET      | (1) |
| 21 |      | 13155700    | CLOTH WASTE CHUTE UPPER      | (1) |
| 22 |      | 13155502    | CHUTE SUPPORT                | (1) |
| 23 |      | SS5090610SP | SCREW 9/64-40 L=6            | (3) |
| 24 |      | NS6090310SP | NUT 9/64-40                  | (3) |
| 25 | #02  | 12341806    | CLOTH WASTE CHUTE            | 1   |
| 26 |      | 13161153    | FRAME SUPPORT PLATE ASM.     | 1   |
| 27 |      | 13155304    | FRAME HOLDING PLATE COUPLING | 1   |
| 28 |      | SM9082513CF | SCREW M8 L=25                | 4   |
| 29 |      | NM6080600SM | NUT M8                       | 4   |
| 30 |      | WP0850002SC | WASHER 8.5X18X1.6            | 4   |
| 31 |      | SK3513200SC | WOOD SCREW D=5.1 L=32        | 4   |
| 32 |      | 11155108    | DRAWER                       | 1   |
| 33 |      | 11155207    | DRAWER SUPPORT               | 2   |
| 34 |      | D8204555D00 | DRAWER STOPPER               | 1   |
| 35 |      | SK3311500SC | WOOD SCREW D=3.1 L=15        | 6   |
| 36 |      | WS1002560KR | SPRING WASHER 10X18X2.5      | 4   |
| 37 |      | SS6090630TP | SCREW 9/64-40 L=6            | 5   |
| 38 | #01  | SS5110710SP | SCREW 11/64-40 L=7           | 2   |
| 39 |      | WP1002036SE | WASHER 10X21X2               | 12  |
| 40 |      | NS6240630SE | NUT 3/8-18                   | 12  |

1...#01EXCEPT JE / 2...#02FOR JE / 3... /

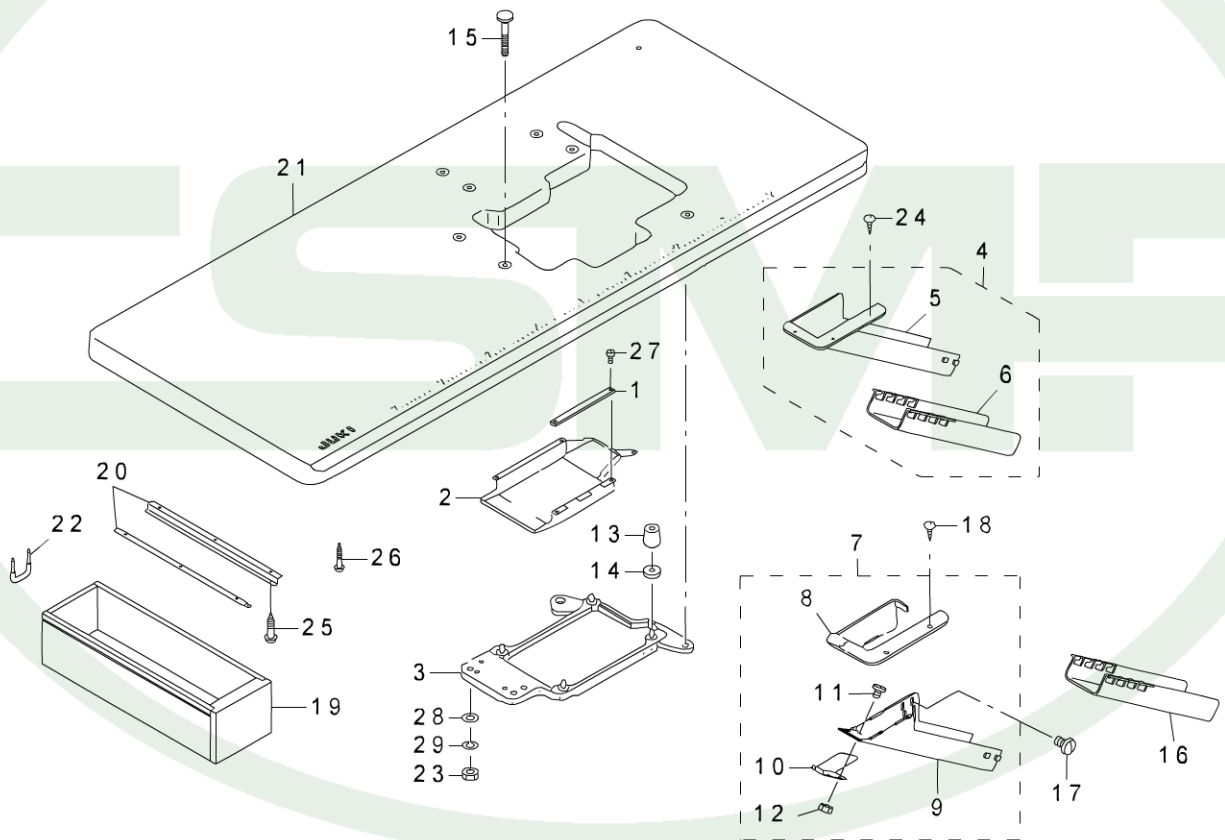




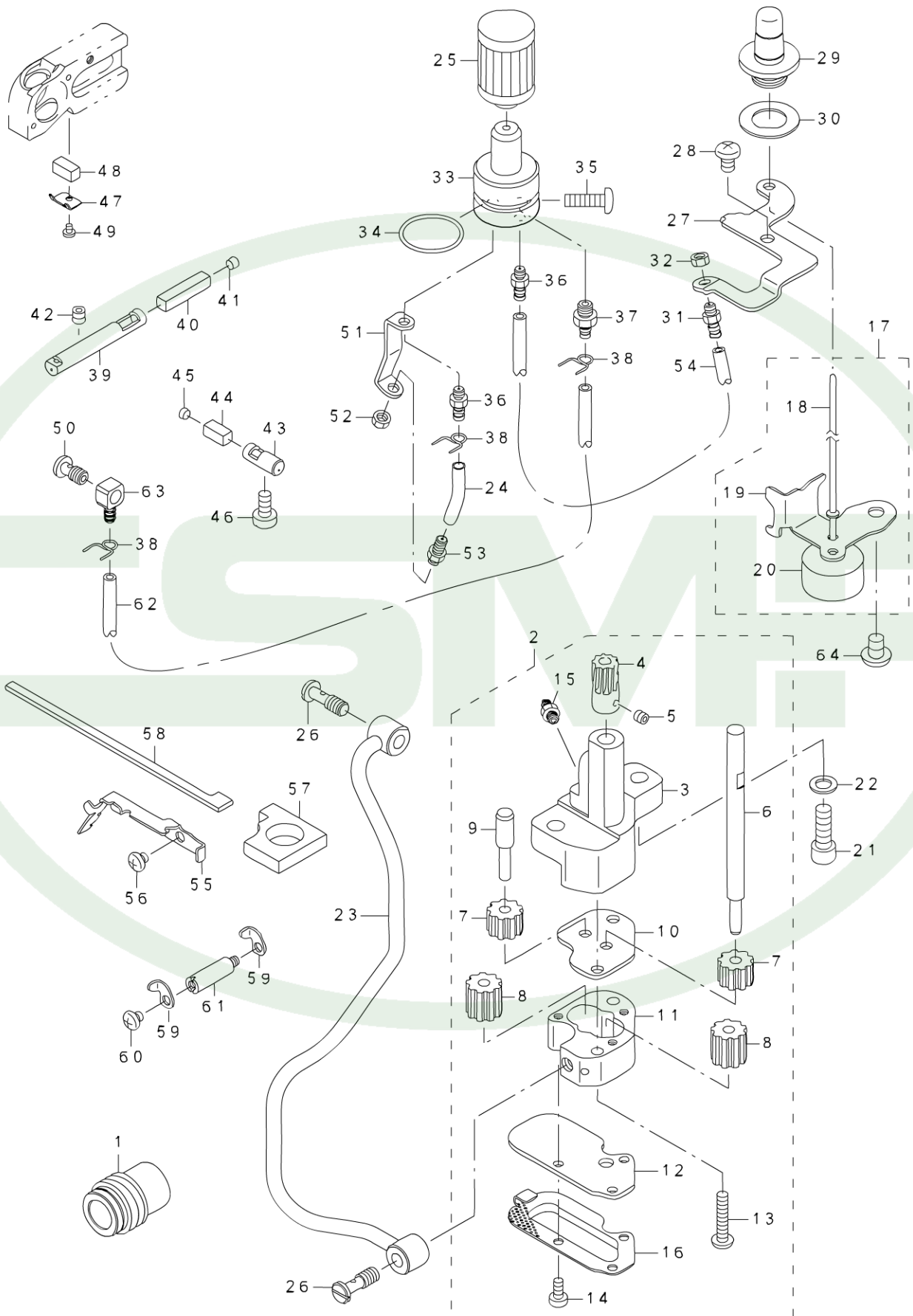
| No | note | Parts No.   | DESCRIPTION                    | Qty |
|----|------|-------------|--------------------------------|-----|
| 1  |      | 13161005    | CASE SPONGE                    | 1   |
| 2  |      | 13160908    | COOLING FAN CASE               | 1   |
| 3  |      | 13161153    | FRAME SUPPORT PLATE ASM.       | 1   |
| 4  | #01  | 12341954    | CLOTH WASTE CHUTE ASM.         | 1   |
| 5  |      | 12341905    | CLOTH WASTE CHUTE(SEMI-SUNKEN) | (1) |
| 6  |      | 12341806    | CLOTH WASTE CHUTE              | (1) |
| 7  | #02  | 13155759    | CLOTH WASTE CHUTE ASM.         | 1   |
| 8  |      | 13155601    | CLOTH WASTE CHUTE INLET        | (1) |
| 9  |      | 13155700    | CLOTH WASTE CHUTE UPPER        | (1) |
| 10 |      | 13155502    | CHUTE SUPPORT                  | (1) |
| 11 |      | SS5090610SP | SCREW 9/64-40 L=6              | (3) |
| 12 |      | NS6090310SP | NUT 9/64-40                    | (3) |
| 13 |      | 13155403    | DUST-PROOF RUBBER              | 4   |
| 14 |      | 13156500    | DUST-PROOF RUBBER SPACER       | 4   |
| 15 |      | 13155007    | HOLDING PLATE BOLT             | 4   |
| 16 | #02  | 12341806    | CLOTH WASTE CHUTE              | 1   |
| 17 | #02  | SS5110710SP | SCREW 11/64-40 L=7             | 2   |
| 18 | #02  | SK2351600SC | WOOD SCREW D=3.5 L=16          | 3   |
| 19 |      | 11155108    | DRAWER                         | 1   |
| 20 |      | 11155207    | DRAWER SUPPORT                 | 2   |
| 21 |      | 11959400    | TABLE (SEMI-SUNKEN)            | 1   |
| 22 |      | D8204555D00 | DRAWER STOPPER                 | 1   |
| 23 |      | NS6240630SE | NUT 3/8-18                     | 4   |
| 24 | #01  | SK2351600SC | WOOD SCREW D=3.5 L=16          | 3   |
| 25 |      | SK3311500SC | WOOD SCREW D=3.1 L=15          | 6   |
| 26 |      | SK3513200SC | WOOD SCREW D=5.1 L=32          | 4   |
| 27 |      | SS6090630TP | SCREW 9/64-40 L=6              | 5   |
| 28 |      | WP1002036SE | WASHER 10X21X2                 | 4   |
| 29 |      | WS1002560KR | SPRING WASHER 10X18X2.5        | 4   |

1..#01EXCEPT JE / 2..#02FOR JE / 3... /





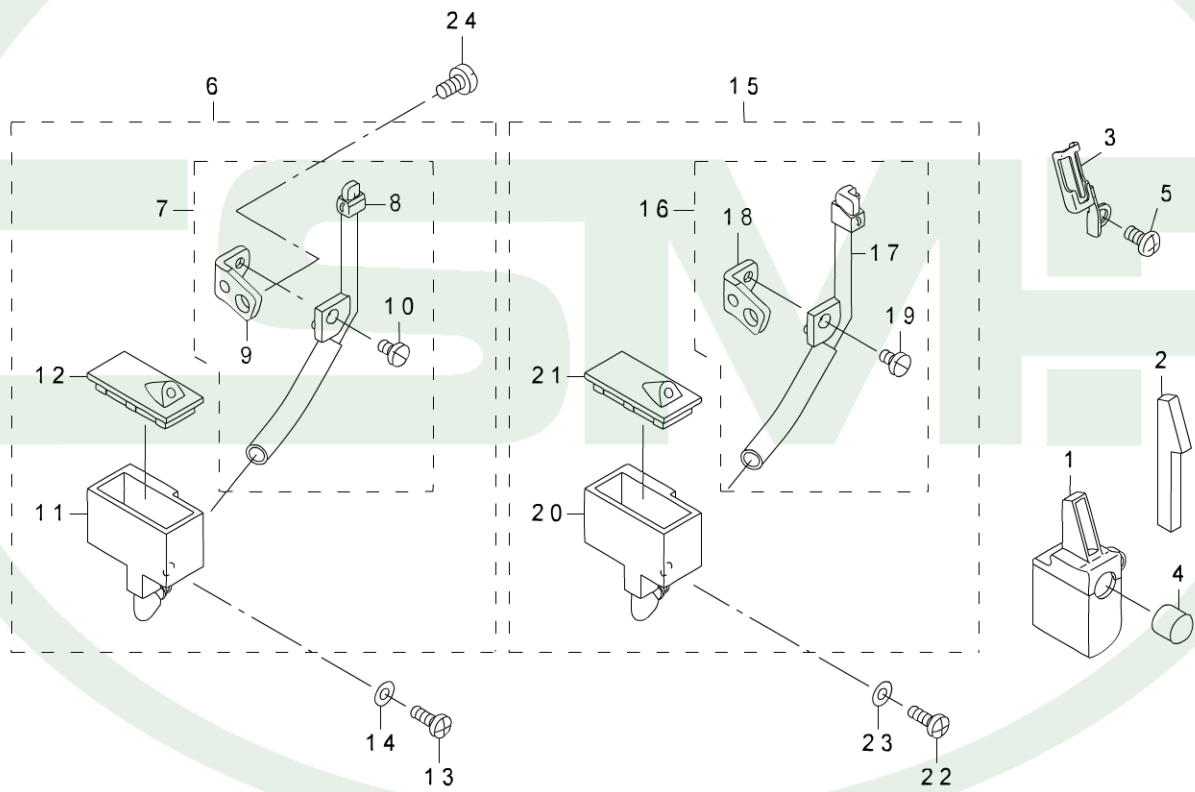
| No | note | Parts No.   | DESCRIPTION                    | Qty  |
|----|------|-------------|--------------------------------|------|
| 1  |      | 13230305    | WORM                           | 1    |
| 2  |      | 40018044    | OIL PUMP ASM                   | 1    |
| 3  |      | 12315909    | OIL PUMP                       | (1)  |
| 4  |      | 13343009    | WORM WHEEL                     | (1)  |
| 5  |      | SM8050412TP | SCREW M5 L=4                   | (2)  |
| 6  |      | 11918109    | GEAR PUMP SHAFT LARGE          | (1)  |
| 7  |      | B3534352000 | PINION GEAR                    | (2)  |
| 8  |      | 11840303    | OIL PUMP PINION                | (2)  |
| 9  |      | 12317004    | GEAR PUMP SHAFT                | (1)  |
| 10 |      | 12316006    | PINION SPACER                  | (1)  |
| 11 |      | 12316105    | CASING                         | (1)  |
| 12 |      | 40016762    | PUMP COVER                     | (1)  |
| 13 |      | SS4112215SP | SCREW 11/64-40 L=22            | (2)  |
| 14 |      | SS6090810SP | SCREW 9/64-40 L=7.5            | (3)  |
| 15 |      | SQ1110401MZ | CONNECTING SCREW               | (1)  |
| 16 |      | 40016763    | PUMP NET                       | (1)  |
| 17 |      | 13229356    | FLOAT ASM.                     | 1    |
| 18 |      | 12129904    | OIL GAUGE BAR                  | (1)  |
| 19 |      | 13229307    | FLOAT SUPPORT                  | (1)  |
| 20 |      | 12129805    | FLOAT                          | (1)  |
| 21 |      | SM6061802TP | SCREW M6 L=18                  | 2    |
| 22 |      | WP0651056SD | WASHER 6.5X11X1                | 2    |
| 23 |      | 13228655    | LUBRICATION MECHANISM PIPE ASM | 1    |
| 24 |      | BP30000010R | VINYL PIPE                     | 0.03 |
| 25 |      | 13142500    | CARTRIDGE FILTER               | 1    |
| 26 |      | SQ1150454SD | CONNECTING SCREW               | 2    |
| 27 |      | 13143805    | EXHAUST PORT SUPPORT           | 1    |
| 28 |      | SM4050855SP | SCREW                          | 1    |
| 29 |      | 13143300    | OIL GAUGE                      | 1    |
| 30 |      | 13144001    | OIL GAUGE GASKET               | 1    |
| 31 |      | SQ1110451MZ | CONNECTING SCREW               | 1    |
| 32 |      | NS6110310SP | NUT 11/64-40                   | 1    |
| 33 |      | 13142955    | FILTER GUIDE ASM.              | 1    |
| 34 |      | 13170808    | RUBBER RING                    | 1    |
| 35 |      | SM4051601SC | SCREW M5X0.8 L=16              | 1    |
| 36 |      | SQ1110451MZ | CONNECTING SCREW               | 2    |
| 37 |      | SQ1150451MZ | CONNECTING SCREW               | 1    |
| 38 |      | 13142609    | OIL TUBE HOLDER                | 3    |
| 39 |      | 13144100    | OILING PIN                     | 1    |
| 40 |      | 13144209    | OIL FELT                       | 1    |
| 41 |      | TA0400301M0 | PLUG D=4X4.5 L=3               | 1    |
| 42 |      | SM8050502TP | SCREW M5 L=5                   | 1    |
| 43 |      | 13143417    | UPPER LOOPER OILING PIN        | 1    |
| 44 |      | 13143508    | OIL FELT                       | 1    |
| 45 |      | 13230107    | UPPER LOOPER OILING PIN PLUG   | 1    |
| 46 |      | SS6121020SP | SCREW 3/16-28 L=9.5            | 1    |
| 47 |      | 13143607    | OIL FELT PRESSER               | 1    |
| 48 |      | 13143706    | OIL FELT                       | 1    |
| 49 |      | SS7060310SP | SCREW 3/32-56 L=3              | 1    |
| 50 |      | SQ1150441SD | CONNECTING SCREW               | 1    |
| 51 |      | 13229208    | WORM EXHAUST PORT GUIDE        | 1    |
| 52 |      | NS6110310SP | NUT 11/64-40                   | 1    |
| 53 |      | SQ1110451MZ | CONNECTING SCREW               | 1    |
| 54 |      | 23630007    | TUBE                           | 0.17 |
| 55 |      | 13228804    | OIL FELT GUIDE                 | 1    |
| 56 |      | 31018005    | SCREW                          | 2    |
| 57 |      | 13229109    | OIL FELT B                     | 1    |
| 58 |      | 13229406    | OIL FELT A                     | 1    |
| 59 |      | 13228903    | OIL FELT PRESSER               | 2    |
| 60 |      | 31018005    | SCREW                          | 1    |
| 61 |      | 13229000    | FELT PRESSER SPACER            | 1    |
| 62 |      | BP30000010R | VINYL PIPE                     | 0.29 |
| 63 |      | SQ0000451MZ | CONNECTING SCREW               | 1    |
| 64 |      | SM4060801SE | SCREW                          | 1    |



| No | note | Parts No.   | DESCRIPTION                    | Qty |
|----|------|-------------|--------------------------------|-----|
| 1  |      | 13163456    | SILICON TANK ASM.              | 1   |
| 2  |      | 13163803    | NEEDLE THREAD FELT             | 1   |
| 3  |      | 13163902    | NEEDLE THREAD FELT PRESSER     | 1   |
| 4  |      | TA0950806R0 | RUBBER PLUG                    | 1   |
| 5  |      | SM4040855SP | SCREW                          | 1   |
| 6  | #01  | 13162557    | NEEDLE COOLER UNIT ASM. (OVER) | 1   |
| 7  |      | 13162565    | NEEDLE COOLER UNIT COMPL.      | (1) |
| 8  |      | 13162573    | NEEDLE COOLER UNIT ASM. (OVER) | (1) |
| 9  |      | 13162805    | NEEDLE COOLER SUPPORT          | (1) |
| 10 |      | SS7090610SP | SCREW 9/64-40 L=6              | (1) |
| 11 |      | 13162904    | TANK                           | (1) |
| 12 |      | 13163001    | TANK COVER                     | (1) |
| 13 |      | SS4091015SP | SCREW 9/64-40 L=10             | 1   |
| 14 |      | WP0371026SD | WASHER 3.7X7X1                 | 1   |
| 15 | #02  | 13163159    | NEEDLE COOLER UNIT ASM.(INTER) | 1   |
| 16 |      | 13163167    | NEEDLE COOLER COMPL.(INTER)    | (1) |
| 17 |      | 13163175    | NEEDLE COOLER ASM.(INTER)      | (1) |
| 18 |      | 13162805    | NEEDLE COOLER SUPPORT          | (1) |
| 19 |      | SS7090610SP | SCREW 9/64-40 L=6              | (1) |
| 20 |      | 13162904    | TANK                           | (1) |
| 21 |      | 13163001    | TANK COVER                     | (1) |
| 22 |      | SS4091015SP | SCREW 9/64-40 L=10             | 1   |
| 23 |      | WP0371026SD | WASHER 3.7X7X1                 | 1   |
| 24 |      | SS7110840SP | SCREW 11/64-40 L=7.8           | 1   |

1...#01FOR MO-6704S/MO-6714S / 2...#02FOR MO-6716S / 3... /



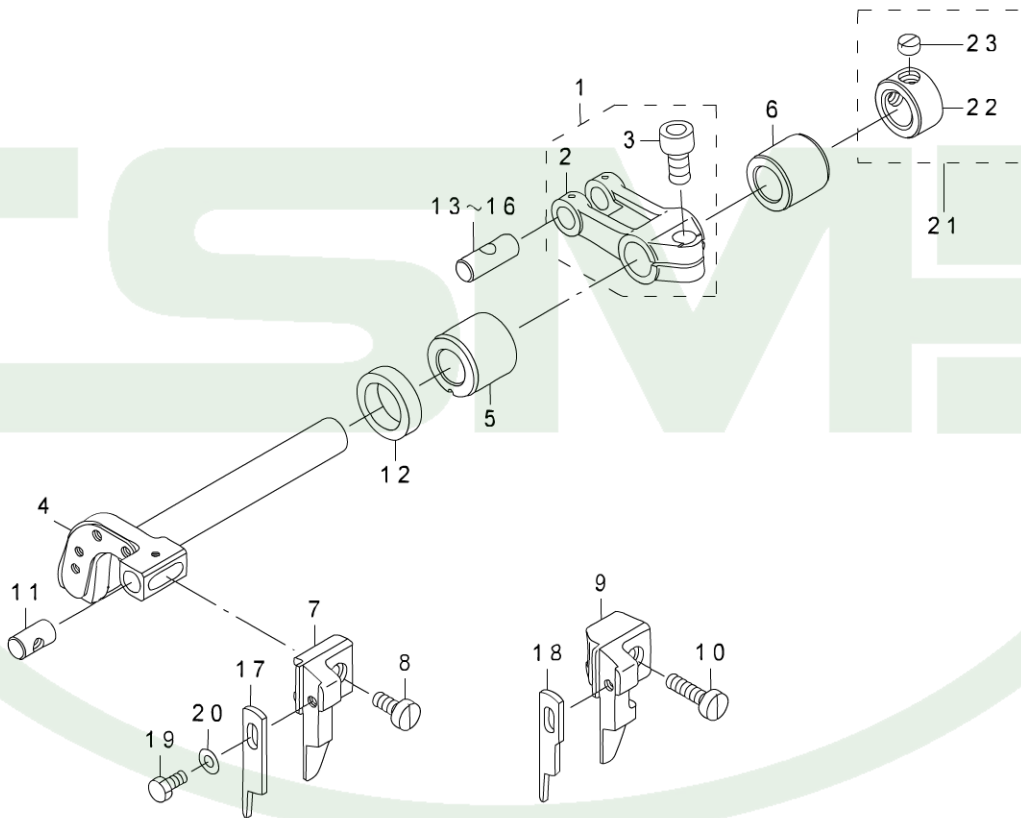




| No | note | Parts No.   | DESCRIPTION                | Qty |
|----|------|-------------|----------------------------|-----|
| 1  |      | 13147558    | FEED FORKED ARM ASM.       | 1   |
| 2  |      | 13147509    | FEED FORKED ARM            | (1) |
| 3  |      | SM6061402TP | SCREW M6 L=14              | (1) |
| 4  |      | 13151303    | KNIFE DRIVING ARM SHAFT    | 1   |
| 5  |      | 13150909    | BUSHING FRONT              | 1   |
| 6  |      | 13151006    | BUSHING REAR               | 1   |
| 7  | #01  | 13147400    | PLAIN KNIFE SUPPORT A      | 1   |
| 8  | #01  | SS6111040SP | SCREW 11/64-40 L=9.5       | 1   |
| 9  | #02  | 13147301    | PLAIN KNIFE SUPPORT        | 1   |
| 10 | #02  | SS6111610SP | SCREW 11/64-40 L=16        | 1   |
| 11 |      | 13150800    | UPPER KNIFE GUIDE SHAFT    | 1   |
| 12 |      | 11566809    | OIL SEAL                   | 1   |
| 13 | #03  | 13122007    | CRANK PIN A                | 1   |
| 14 | #03  | 13122106    | CRANK PIN B                | 1   |
| 15 | #03  | 13122205    | CRANK PIN C                | 1   |
| 16 | #03  | 13122304    | CRANK PIN D                | 1   |
| 17 | #01  | 13150503    | PLAIN KNIFE                | 1   |
| 18 | #02  | 13150602    | PLAIN KNIFE                | 1   |
| 19 |      | SS9090823TP | BOLT 9/64-40 L=8           | 1   |
| 20 |      | WP0370316SD | WASHER 3.7X8X0.3           | 1   |
| 21 |      | CS111101HSH | THRUST COLLAR ASM.         | 1   |
| 22 |      | CS1111019SH | THRUST COLLAR D=11.11 W=10 | (1) |
| 23 |      | SS8660330SP | SCREW 1/4-40 L= 3.0        | (1) |

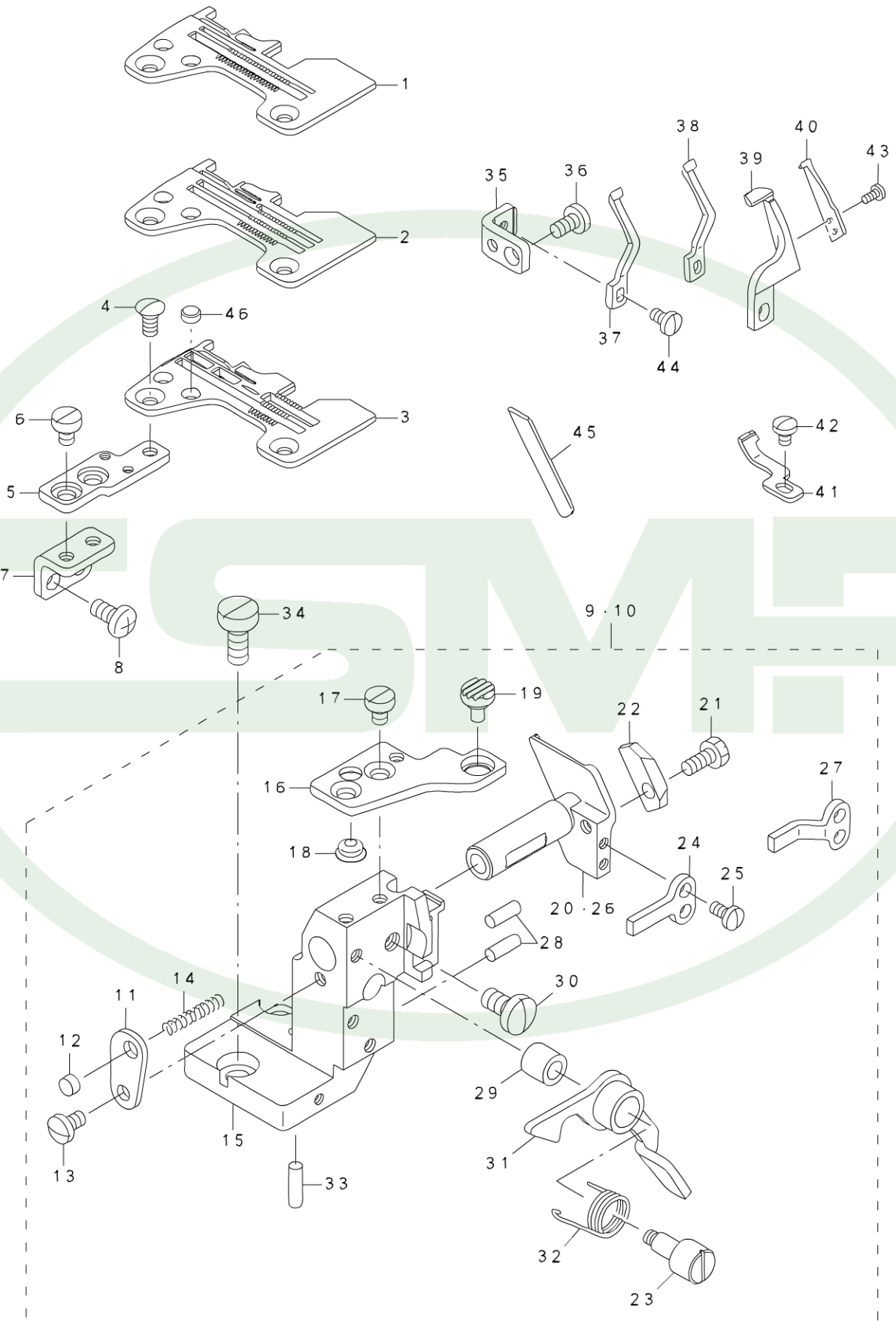
1...#01FOR MO-6704S/MO-6714S / 2...#02FOR MO-6716S / 3...#03SELECTIVE PARTS / 4... /





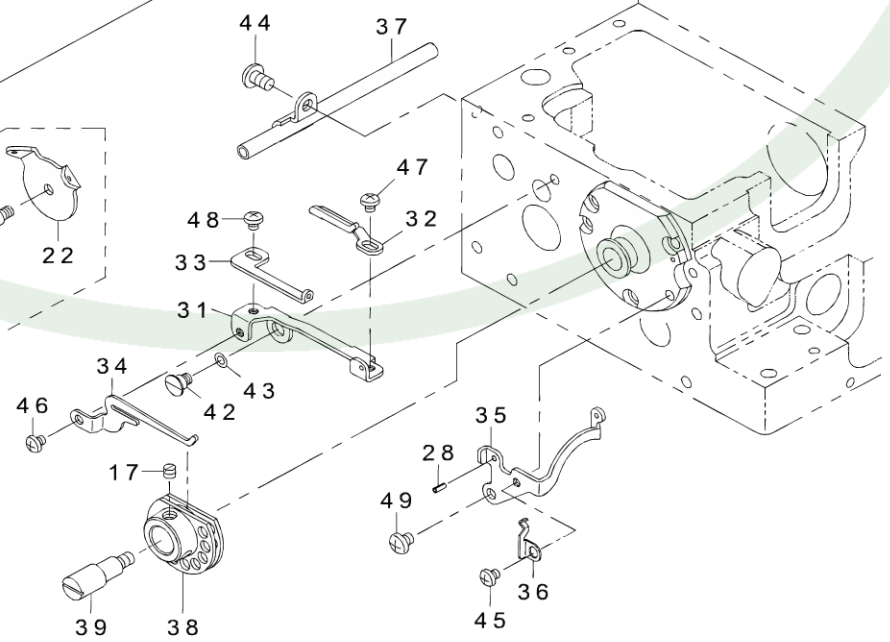
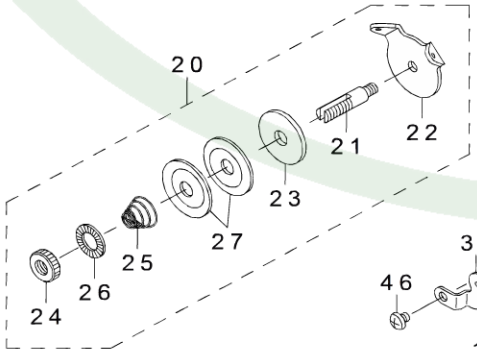
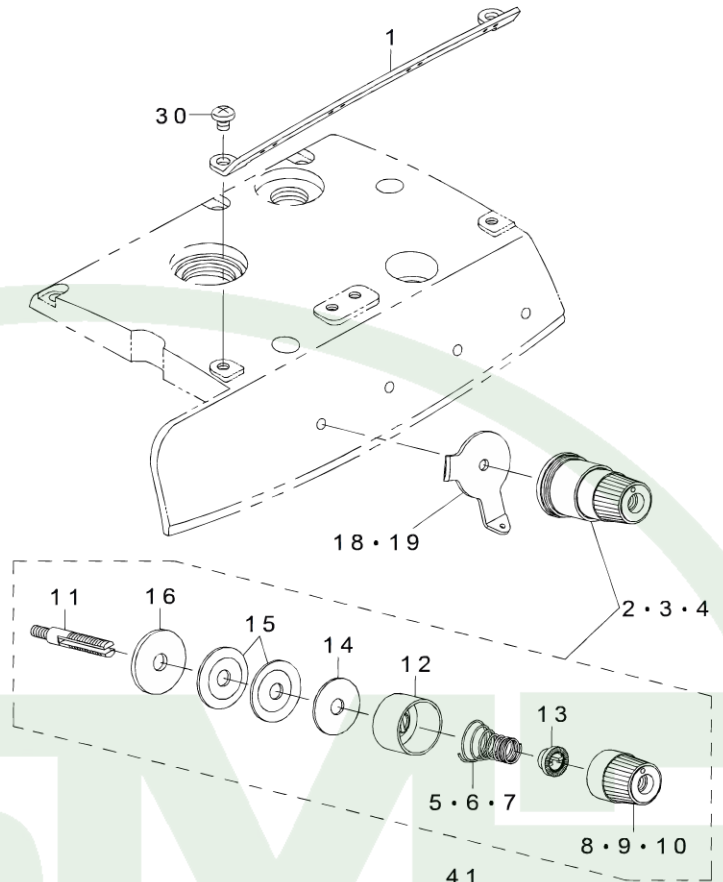
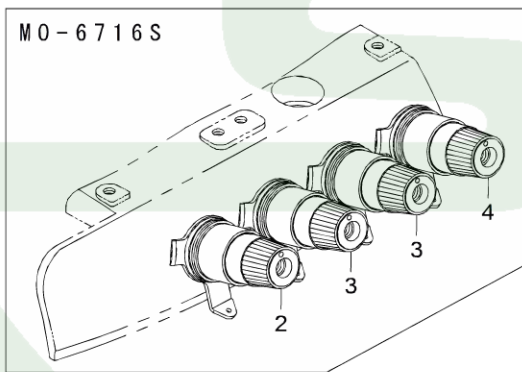
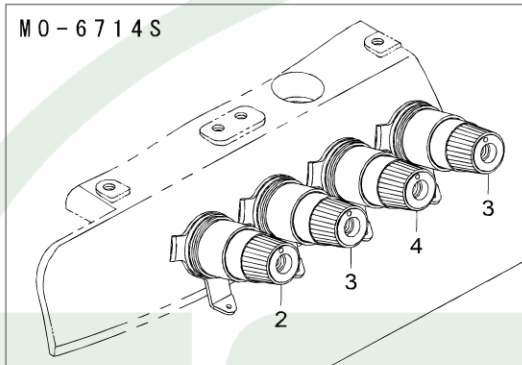
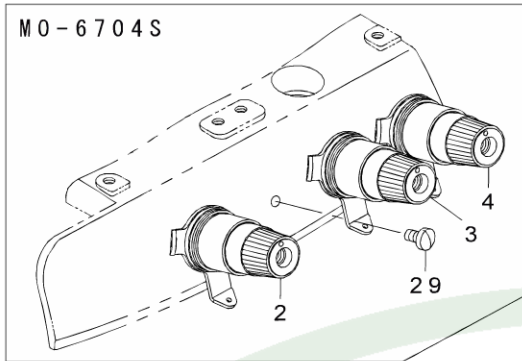
| No | note | Parts No.   | DESCRIPTION                 | Qty |
|----|------|-------------|-----------------------------|-----|
| 1  | #01  | R4200J6ED00 | THROAT PLATE                | 1   |
| 2  | #02  | R4305J6EE00 | THROAT PLATE                | 1   |
| 3  | #03  | R4508J6ED00 | THROAT PLATE                | 1   |
| 4  |      | SS2110910SL | SCREW 11/64-40 L=9          | 2   |
| 5  |      | 13151204    | THROAT PLATE BASE B         | 1   |
| 6  |      | SS6110610TP | SCREW 11/64-40 L=6          | 2   |
| 7  |      | 12288908    | THROAT PLATE BASE B SUPPORT | 1   |
| 8  |      | SM4051055SP | SCREW                       | 2   |
| 9  | #04  | 13232657    | LOWER KNIFE BRACKET ASM.    | 1   |
| 10 | #03  | 13232756    | LOWER KNIFE BRACKET ASM.    | 1   |
| 11 |      | 13149307    | SPRING STOPPER              | (1) |
| 12 |      | 13102702    | THROAT PLATE COVER          | (1) |
| 13 |      | SS7110720SP | SCREW 11/64-40 L=7          | (1) |
| 14 |      | 13148101    | SPRING                      | (1) |
| 15 |      | 13149406    | LOWER KNIFE BRACKET         | (1) |
| 16 |      | 13148309    | THROAT PLATE BASE A         | (1) |
| 17 |      | SS6110610TP | SCREW 11/64-40 L=6          | (2) |
| 18 |      | 13149109    | RUBBER PLUG B               | (1) |
| 19 |      | 13235304    | RUBBER PLUG A               | (1) |
| 20 | #04  | 13149505    | LOWER KNIFE SLIDE STUD      | (1) |
| 21 |      | SS9111010SP | SCREW 11/64-40 L=9.5        | (1) |
| 22 |      | 13149208    | LOWER KNIFE PRESSER PLATE   | (1) |
| 23 |      | 13148408    | LEVER SHAFT                 | (1) |
| 24 | #04  | 13149703    | ROTATING STOPPER            | (1) |
| 25 |      | SS7090710SP | SCREW 9/64-40 L=6.8         | (2) |
| 26 | #03  | 13149604    | LOWER KNIFE SLIDE STUD      | (1) |
| 27 | #03  | 13149802    | ROTATING STOPPER            | (1) |
| 28 |      | 13149901    | HOLDER PIN                  | (2) |
| 29 |      | 13148903    | RUBBER PLUG                 | (1) |
| 30 |      | SS7151120SP | SCREW 15/64-28 L=11         | (1) |
| 31 |      | 13148556    | LEVER ASM.                  | (1) |
| 32 |      | 13148804    | LEVER SPRING                | (1) |
| 33 |      | 13149901    | HOLDER PIN                  | (1) |
| 34 |      | SS6151440SP | SCREW 15/64-28 L=14         | 2   |
| 35 |      | 13151105    | NEEDLE HOLDER SUPPORT       | 1   |
| 36 |      | SS7110840SP | SCREW 11/64-40 L=7.8        | 1   |
| 37 | #01  | 11890100    | NEEDLE GUARD                | 1   |
| 38 | #02  | 11890308    | NEEDLE GUARD                | 1   |
| 39 | #03  | 12015301    | NEEDLE HOLDER               | 1   |
| 40 | #03  | 12015400    | NEEDLE HOLDER               | 1   |
| 41 | #03  | 12177903    | NEEDLE HOLDER               | 1   |
| 42 | #03  | SS7090510SP | SCREW 9/64-40 L=4.6         | 1   |
| 43 | #03  | SS7060510SP | SCREW 3/32-56 L=4.8         | 2   |
| 44 |      | SS7090610SP | SCREW 9/64-40 L=6           | 1   |
| 45 |      | 13150701    | LOWER KNIFE                 | 1   |
| 46 |      | 13102702    | THROAT PLATE COVER          | 2   |

1...#01FOR MO-6704S / 2...#02FOR MO-6714S / 3...#03FOR MO-6716S / 4...#04FOR MO-6704S/MO-6714S / 5... /



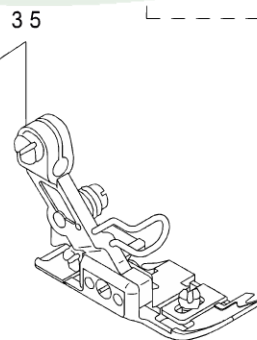
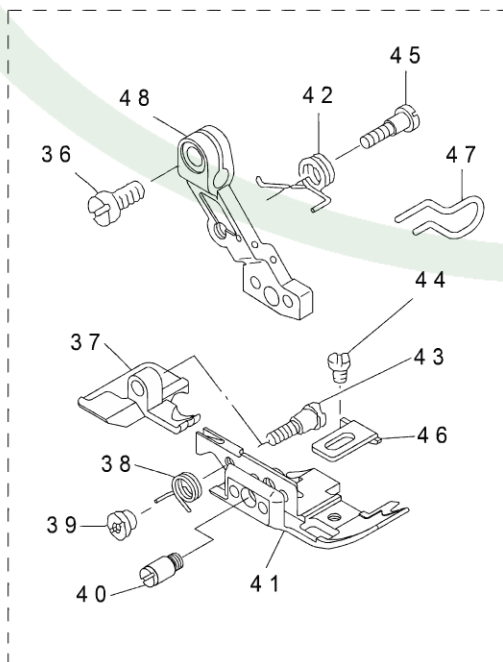
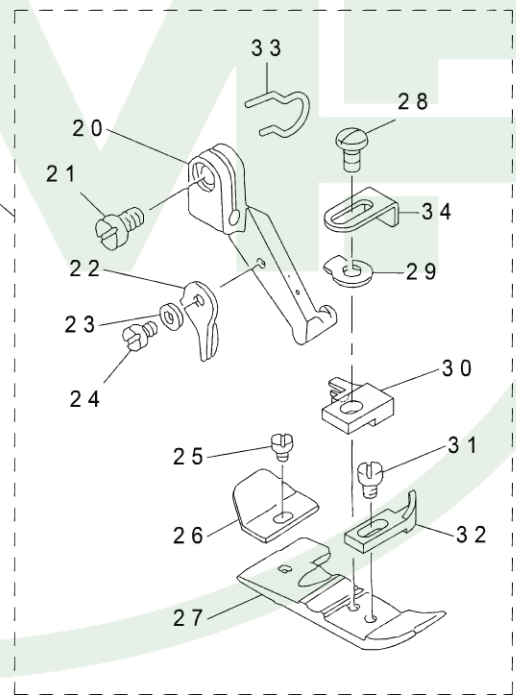
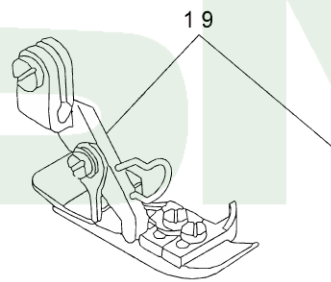
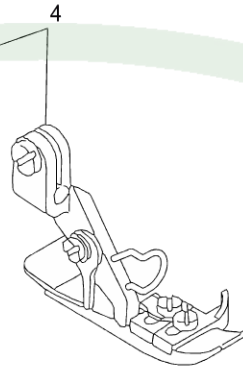
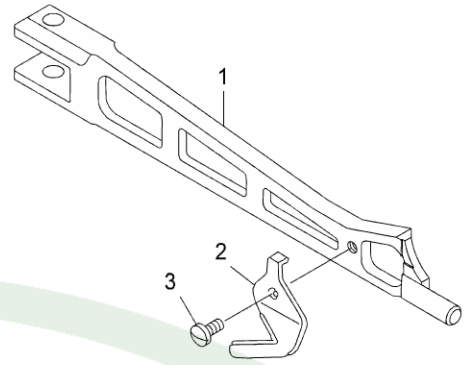
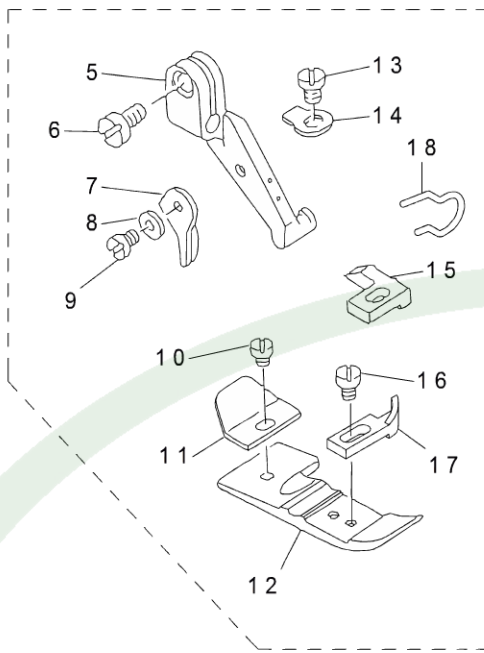
| No | note | Parts No.   | DESCRIPTION                  | Qty |
|----|------|-------------|------------------------------|-----|
| 1  |      | 13225008    | CENTER THREAD GUIDE          | 1   |
| 2  |      | 13137559    | THREAD TENSION SPRING COMPL. | 1   |
| 3  | #01  | 13138359    | THREAD TENSION SPRING COMPL. | 1   |
| 4  |      | 13138656    | THREAD TENSION SPRING COMPL. | 1   |
| 5  |      | 13137807    | THREAD TENSION SPRING RED    | (1) |
| 6  |      | 13138508    | THREAD TENSION SPRING YELLOW | (1) |
| 7  |      | 13138805    | THREAD TENSION SPRING BLUE   | (1) |
| 8  |      | 13137708    | THREAD TENSION KNOB RED      | (1) |
| 9  |      | 13138409    | THREAD TENSION KNOB YELLOW   | (1) |
| 10 |      | 13138706    | THREAD TENSION KNOB BLUE     | (1) |
| 11 |      | 13138904    | THREAD TENSION BAR           | (1) |
| 12 |      | 13137609    | THREAD TENSION DISK PRESSER  | (1) |
| 13 |      | 13137906    | SPRING BUSHING               | (1) |
| 14 |      | 13138102    | THREAD TENSION SPRING FELT   | (1) |
| 15 |      | 13138201    | THREAD TENSION DISK          | (2) |
| 16 |      | 13138003    | THREAD TENSION RUBBER WASHER | (1) |
| 17 | #04  | SS8110410TP | SCREW 11/64-40 L=3.5         | 2   |
| 18 | #02  | 13225107    | TESION DISK THREAD GUIDE     | 3   |
| 19 | #03  | 13225107    | TESION DISK THREAD GUIDE     | 4   |
| 20 | #04  | 13139555    | THREAD TENSION POST CONPL.   | 1   |
| 21 |      | 13140009    | THREAD TENSION POST          | (1) |
| 22 |      | 13139605    | TESION DISK THREAD GUIDE     | (1) |
| 23 |      | 13139902    | THREAD TENSION SPRING FELT   | (1) |
| 24 |      | 13139803    | THREAD TENSION NUT           | (1) |
| 25 |      | 13139704    | THREAD TENSION SPRING        | (1) |
| 26 |      | 22921407    | ROTATION STOPPER             | (1) |
| 27 |      | 13138201    | THREAD TENSION DISK          | (2) |
| 28 | #04  | PS0200052KH | SPRING PIN 2.3X5             | 1   |
| 29 | #02  | SS7110710SL | SCREW 11/64-40 L=7.0         | 1   |
| 30 |      | SS4110615SP | SCREW 11/64-40 L=6           | 2   |
| 31 | #04  | 13128202    | THREAD CAM THREAD GUIDE BASE | 1   |
| 32 | #04  | 13128301    | THREAD CAM THREAD GUIDE A    | 1   |
| 33 | #04  | 13128400    | THREAD CAM THREAD GUIDE B    | 1   |
| 34 | #04  | 13128509    | LOWER THREAD CAM HOOK        | 1   |
| 35 | #04  | 13128608    | LOWER THREAD GUIDE           | 1   |
| 36 | #04  | 13128707    | THREAD GUIDE BASE SPRING     | 1   |
| 37 | #04  | 13129259    | LOOPER THREAD CAM ASM.       | 1   |
| 38 | #04  | 13129457    | LOWER THREAD CAM COMPL.      | 1   |
| 39 | #04  | B2202816000 | SHAFT                        | 1   |
| 40 | #04  | 13129101    | LOWER THREAD CONDUIT GUIDE   | 1   |
| 41 | #04  | SS5150510SP | SCREW 15/64-28 L=5           | 1   |
| 42 | #04  | SD0600341TP | HINGE SCREW D=6.0 H=3.4      | 1   |
| 43 | #04  | W20640312K0 | WAVED WASHER                 | 1   |
| 44 | #04  | SM4050855SP | SCREW M5 L=8                 | 1   |
| 45 | #04  | SS4090415SP | SCREW 9/64-40 L=4            | 1   |
| 46 | #04  | SS4090415SP | SCREW 9/64-40 L=4            | 1   |
| 47 | #04  | SS4090415SP | SCREW 9/64-40 L=4            | 1   |
| 48 | #04  | SS4090415SP | SCREW 9/64-40 L=4            | 1   |
| 49 | #04  | SS4110515SP | SCREW 11/64-40 L=5           | 1   |

1...#01FOR MO-6704S(1 PC. IS USED.)/MO-6714S(2 PC. ARE USED.)/MO-6916S(2 PC. ARE USED.) / 2...#02FOR MO-6704S / 3...#03FOR MO-6714S/MO-6716S / 4...#04FOR MO-6716S / 5... /



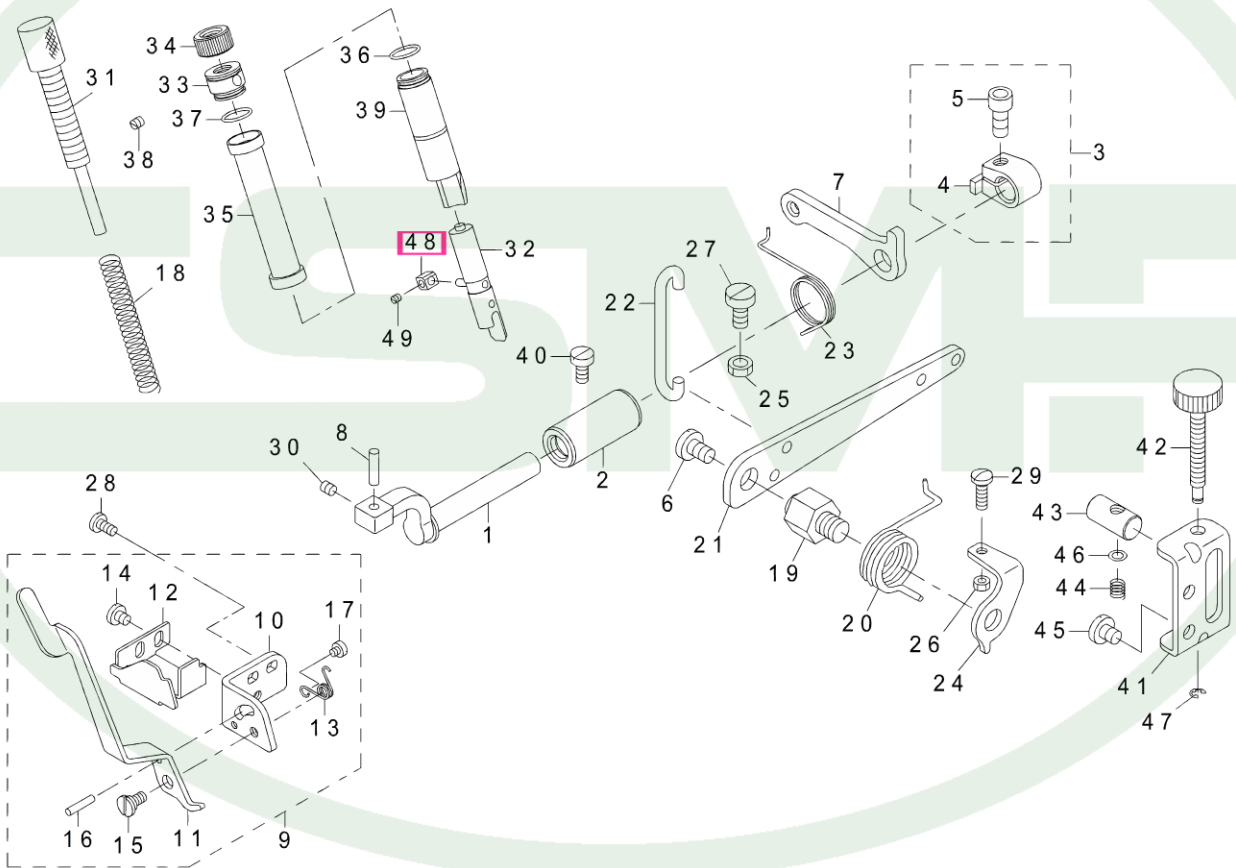
| No | note | Parts No.   | DESCRIPTION                  | Qty |
|----|------|-------------|------------------------------|-----|
| 1  |      | 13117205    | PRESSER FOOT ARM             | 1   |
| 2  |      | 13116702    | THREAD TRIMMER               | 1   |
| 3  |      | SS7060510SP | SCREW 3/32-56 L=4.8          | 1   |
| 4  | #01  | 11876166    | PRESSER FOOT ASM.            | 1   |
| 5  |      | 11872009    | PRESSER FOOT HINGE           | (1) |
| 6  |      | SS6090670TP | SCREW 9/64-40 L=6            | (1) |
| 7  |      | B1530804000 | STOPPER                      | (1) |
| 8  |      | WP0250516SD | WASHER 2.5X6X0.5             | (1) |
| 9  |      | SS7060610SP | SCREW 3/32-56 L=5.5          | (1) |
| 10 |      | SS6060210SP | SCREW 3/32-56 L=1.9          | (1) |
| 11 |      | B1511814000 | REAR PRESSER FOOT            | (1) |
| 12 |      | B1507804C00 | PRESSER FOOT                 | (1) |
| 13 |      | SS7080520SP | SCREW 1/8-44 L=4.9           | (1) |
| 14 |      | B150880400B | SPRING                       | (1) |
| 15 |      | B1509804C00 | STITCH TONGUE                | (1) |
| 16 |      | SS6060440TP | SCREW 3/32-56 L=3.5          | (1) |
| 17 |      | B1510814000 | CURL GUARD                   | (1) |
| 18 |      | 13178306    | FINGER GUIDE                 | (1) |
| 19 | #02  | 11876869    | PRESSER FOOT ASM.            | 1   |
| 20 |      | 11872009    | PRESSER FOOT HINGE           | (1) |
| 21 |      | SS6090670TP | SCREW 9/64-40 L=6            | (1) |
| 22 |      | B1530804000 | STOPPER                      | (1) |
| 23 |      | WP0250516SD | WASHER 2.5X6X0.5             | (1) |
| 24 |      | SS7060610SP | SCREW 3/32-56 L=5.5          | (1) |
| 25 |      | SS6060210SP | SCREW 3/32-56 L=1.9          | (1) |
| 26 |      | B1511814000 | REAR PRESSER FOOT            | (1) |
| 27 |      | B150781400P | PRESSER FOOT                 | (1) |
| 28 |      | SS4080620TP | SCREW 1/8-44 L=6             | (1) |
| 29 |      | B150880400B | SPRING                       | (1) |
| 30 |      | B150981400P | STITCH TONGUE                | (1) |
| 31 |      | SS6060440TP | SCREW 3/32-56 L=3.5          | (1) |
| 32 |      | B1510814000 | CURL GUARD                   | (1) |
| 33 |      | 13178306    | FINGER GUIDE                 | (1) |
| 34 |      | 40030533    | PRESSER FOOT AUXILIARY PLATE | (1) |
| 35 | #03  | 12153763    | PRESSER FOOT ASM.            | 1   |
| 36 |      | SS6090670TP | SCREW 9/64-40 L=6            | (1) |
| 37 |      | 12164802    | REAR PRESSER FOOT            | (1) |
| 38 |      | 12167805    | SPRING FOR REAR PRESSER FOOT | (1) |
| 39 |      | B1513816000 | NUT FOR REAR PRESSER FOOT    | (1) |
| 40 |      | 12167409    | HINGE PIN                    | (1) |
| 41 |      | 12162202    | PRESSER FOOT                 | (1) |
| 42 |      | 12167607    | PRESSER FOOT ARM SPRING      | (1) |
| 43 |      | 12167508    | HINGE SCREW                  | (1) |
| 44 |      | SS6060340SP | SCREW 3/32-56 L=2.5          | (1) |
| 45 |      | B1514816000 | SCREW                        | (1) |
| 46 |      | 12167706    | PRESSER FOOT                 | (1) |
| 47 |      | 13178405    | FINGER GUIDE                 | (1) |
| 48 |      | 12156907    | PRESSER FOOT HINGE           | (1) |

1...#01FOR MO-6704S / 2...#02FOR MO-6714S / 3...#03FOR MO-6716S / 4... /





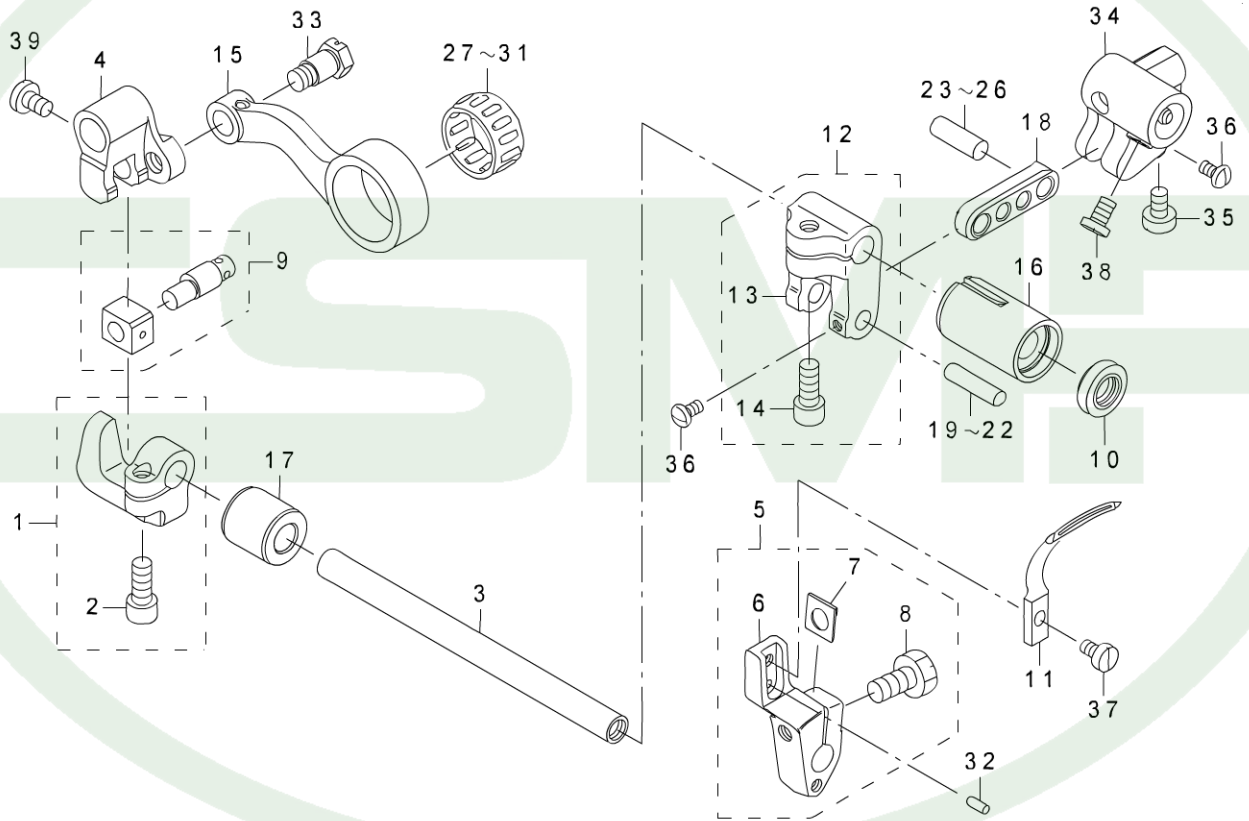
| No | note | Parts No.   | DESCRIPTION                    | Qty |
|----|------|-------------|--------------------------------|-----|
| 1  |      | 13115001    | PRESSER FOOT SHAFT             | 1   |
| 2  |      | 40102328    | PRESSER FOOT SHAFT BUSHING     | 1   |
| 3  |      | 40096182    | THRUST ARM ASM.                | 1   |
| 4  |      | 40096181    | THRUST ARM                     | (1) |
| 5  |      | SM6061402TP | SCREW M6 L=14                  | (1) |
| 6  |      | SS7161040SP | SCREW 1/4-24 L=9.5             | 1   |
| 7  |      | 13116801    | LIFTING ARM                    | 1   |
| 8  |      | 13115407    | PRESSER FOOT ARM HINGE SHAFT   | 1   |
| 9  |      | 13115753    | PRESSER LIFTING LEVER BASE ASM | 1   |
| 10 |      | 13115803    | PRESSER LIFTING LEVER BASE     | (1) |
| 11 |      | 13115902    | PRESSER LIFTING LEVER          | (1) |
| 12 |      | 13116009    | PRESSER ARM STOPPER            | (1) |
| 13 |      | 13116108    | PRESSER FOOT LIFTING SPRING    | (1) |
| 14 |      | SS7110510SP | SCREW 11/64-40 L=5             | (2) |
| 15 |      | SD0640241SP | HINGE SCREW D=6.35 H=2.4       | (1) |
| 16 |      | PS0300142KH | SPRING PIN 0.3X14              | (1) |
| 17 |      | SS6080340SP | SCREW 1/8-44 L=2.9             | (1) |
| 18 |      | 13116207    | PRESSER FOOT SPRING            | 1   |
| 19 |      | 13117007    | PRESSER LIFTING LEVER SCREW    | 1   |
| 20 |      | 13116306    | PRESSER LIFTING LEVER SPRING   | 1   |
| 21 |      | 13116900    | PRESSER LIFTING LEVER          | 1   |
| 22 |      | 13116405    | PRESSER LIFTING HOOK           | 1   |
| 23 |      | 13116504    | LIFTING LEVER ARM SPRING       | 1   |
| 24 |      | 13116603    | PRESSER LIFTING LEVER SPRING   | 1   |
| 25 |      | NM6060003SC | NUT M6                         | 1   |
| 26 |      | NS6110420SP | NUT 11/64-40                   | 1   |
| 27 |      | SM6061200SP | SCREW M6 L=12                  | 1   |
| 28 |      | SS7110840SP | SCREW 11/64-40 L=7.8           | 2   |
| 29 |      | SS7111410TP | SCREW 11/64-40 L=14            | 1   |
| 30 |      | SM8050412TP | SCREW M5 L=4                   | 1   |
| 31 |      | 40034897    | PRESSER ADJUSTING SCREW        | 1   |
| 32 |      | 13115654    | PRESSER BAR ASM.               | 1   |
| 33 |      | 12288700    | PRESSER REGULATOR SCREW WASHER | 1   |
| 34 |      | 13117106    | PRESSER REGULATOR NUT          | 1   |
| 35 |      | 13212709    | PRESSER BAR COVER              | 1   |
| 36 |      | 13170402    | RUBBER RING                    | 2   |
| 37 |      | 13170402    | RUBBER RING                    | 1   |
| 38 |      | SM8040402TP | SCREW M4X0.7 L=4               | 1   |
| 39 |      | 13212501    | PRESSER BAR BUSHING            | 1   |
| 40 |      | SS6121020SP | SCREW 3/16-28 L=9.5            | 1   |
| 41 |      | 13212808    | ADJUSTING BASE                 | 1   |
| 42 |      | 13213012    | ADJUSTING SCREW                | 1   |
| 43 |      | 13212915    | ADJUSTING BLOCK                | 1   |
| 44 |      | 13123302    | ADJUSTING SPRING               | 1   |
| 45 |      | SS7150740SP | SCREW 15/64-28 L=7             | 2   |
| 46 |      | WP0460556SD | WASHER 4.6X7.5X0.5             | 1   |
| 47 |      | RE0300000K0 | E-RING 3                       | 1   |
| 48 |      | 70004672    | SLIDE BLOCK                    | 1   |
| 49 |      | SS8080310TP | SCREW 1/8-44 L=2.8             | 1   |



| No | note | Parts No.   | DESCRIPTION                   | Qty |
|----|------|-------------|-------------------------------|-----|
| 1  |      | 13129853    | BRACKET                       | 1   |
| 2  |      | SM6051202TP | SCREW M5X0.8 L=12             | (1) |
| 3  |      | 13126909    | CHAIN LOOPER SHAFT            | 1   |
| 4  |      | 13126008    | FRONT-AND-REAR ARM            | 1   |
| 5  |      | 13129952    | CHAIN LOOPER DRIVING ARM ASM. | 1   |
| 6  |      | 13129903    | CHAIN LOOPER DRIVING ARM      | (1) |
| 7  |      | 13129309    | WASHER                        | (1) |
| 8  |      | SS9151210TP | SCREW 15/64-28 L=11.8         | (1) |
| 9  |      | 13126354    | SLIDE BLOCK PIN ASM.          | 1   |
| 10 |      | 40010805    | OIL SEAL RING                 | 1   |
| 11 |      | 12120705    | CHAIN LOOPER                  | 1   |
| 12 |      | 13125950    | CHAIN LOOPER DRIVING ARM ASM. | 1   |
| 13 |      | 13125901    | CHAIN LOOPER DRIVING ARM      | (1) |
| 14 |      | SM6051202TP | SCREW M5X0.8 L=12             | (1) |
| 15 |      | 13220009    | CHAIN LOOPER ROD              | 1   |
| 16 |      | 13128103    | BUSHING FORNT                 | 1   |
| 17 |      | 13127006    | BUSHING REAR                  | 1   |
| 18 |      | 13127105    | CHAIN LOOPER SHAFT DRIV. LINK | 1   |
| 19 | #01  | 13126503    | PIN LONG A                    | 1   |
| 20 | #01  | 13126602    | PIN LONG B                    | 1   |
| 21 | #01  | 13126701    | PIN LONG C                    | 1   |
| 22 | #01  | 13126800    | PIN LONG D                    | 1   |
| 23 | #01  | 13127204    | PIN SHORT A                   | 1   |
| 24 | #01  | 13127303    | PIN SHORT B                   | 1   |
| 25 | #01  | 13127402    | PIN SHORT C                   | 1   |
| 26 | #01  | 13127501    | PIN SHORT D                   | 1   |
| 27 | #01  | B2119816A00 | BEARING A                     | 1   |
| 28 | #01  | B2119816B00 | BEARING B                     | 1   |
| 29 | #01  | B2119816C00 | BEARING C                     | 1   |
| 30 | #01  | B2119816D00 | BEARING D                     | 1   |
| 31 | #01  | B2119816E00 | BEARING E                     | 1   |
| 32 |      | PS0250062KH | SPRING PIN 2.5X6              | 1   |
| 33 |      | SD0720803TH | STEP-SCREW D=7.24 H=8         | 1   |
| 34 |      | 12121612    | DRIVING BALL ARM BRACKET      | 1   |
| 35 |      | SS6110710TP | SCREW 11/64-40 L=6.5          | 1   |
| 36 |      | SS4080620TP | SCREW 1/8-44 L=6              | 2   |
| 37 |      | SS6090620TP | SCREW                         | 1   |
| 38 |      | SS6110710TP | SCREW 11/64-40 L=6.5          | 2   |
| 39 |      | SS7110720TP | SCREW 11/64-40 L=7            | 1   |

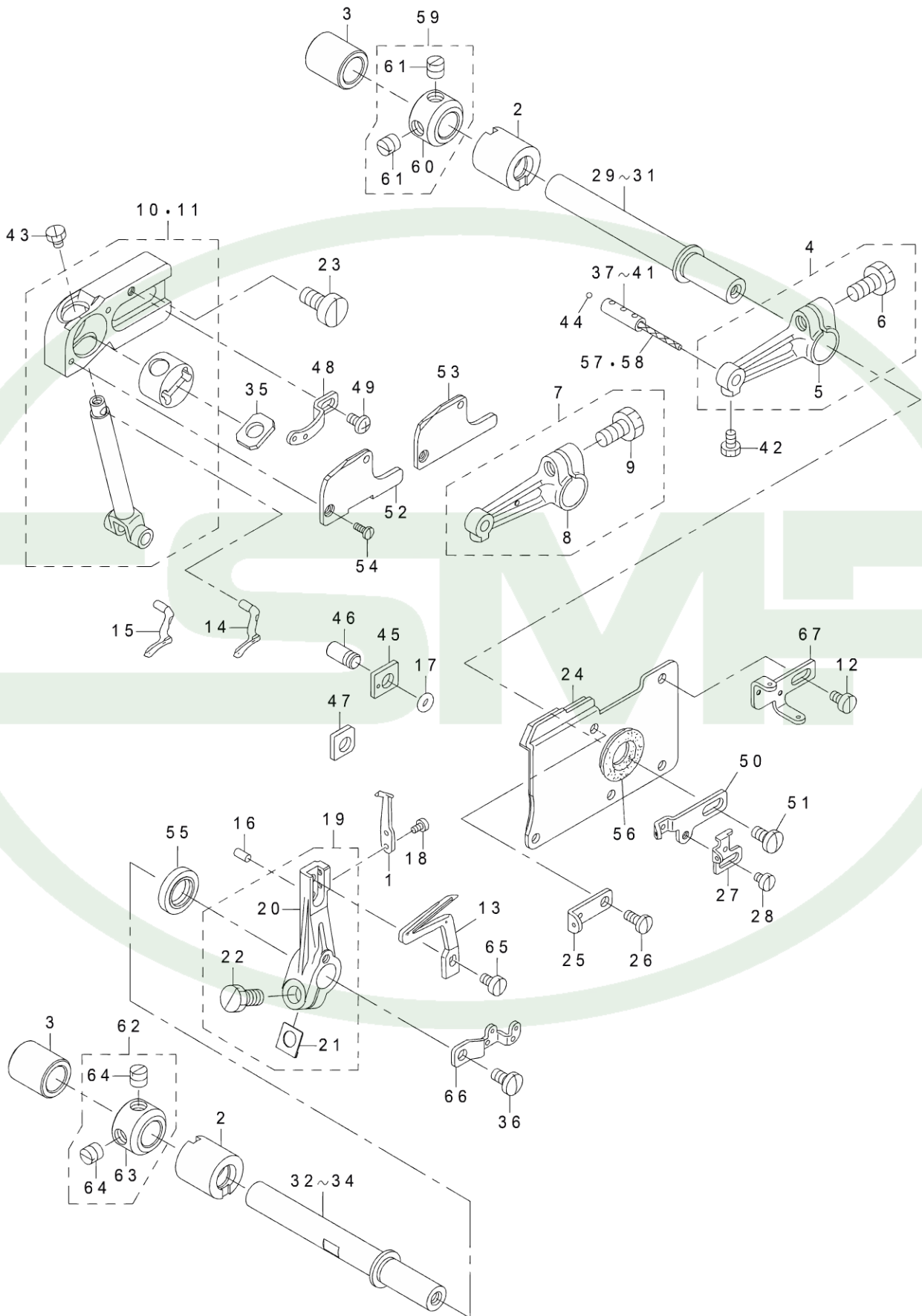
1...#01SELECTIVE PARTS / 2... / 3...  
/ 4...FOR NO.9 / 5...N.O. 9は、セットのみの注文になります。 / 6... /





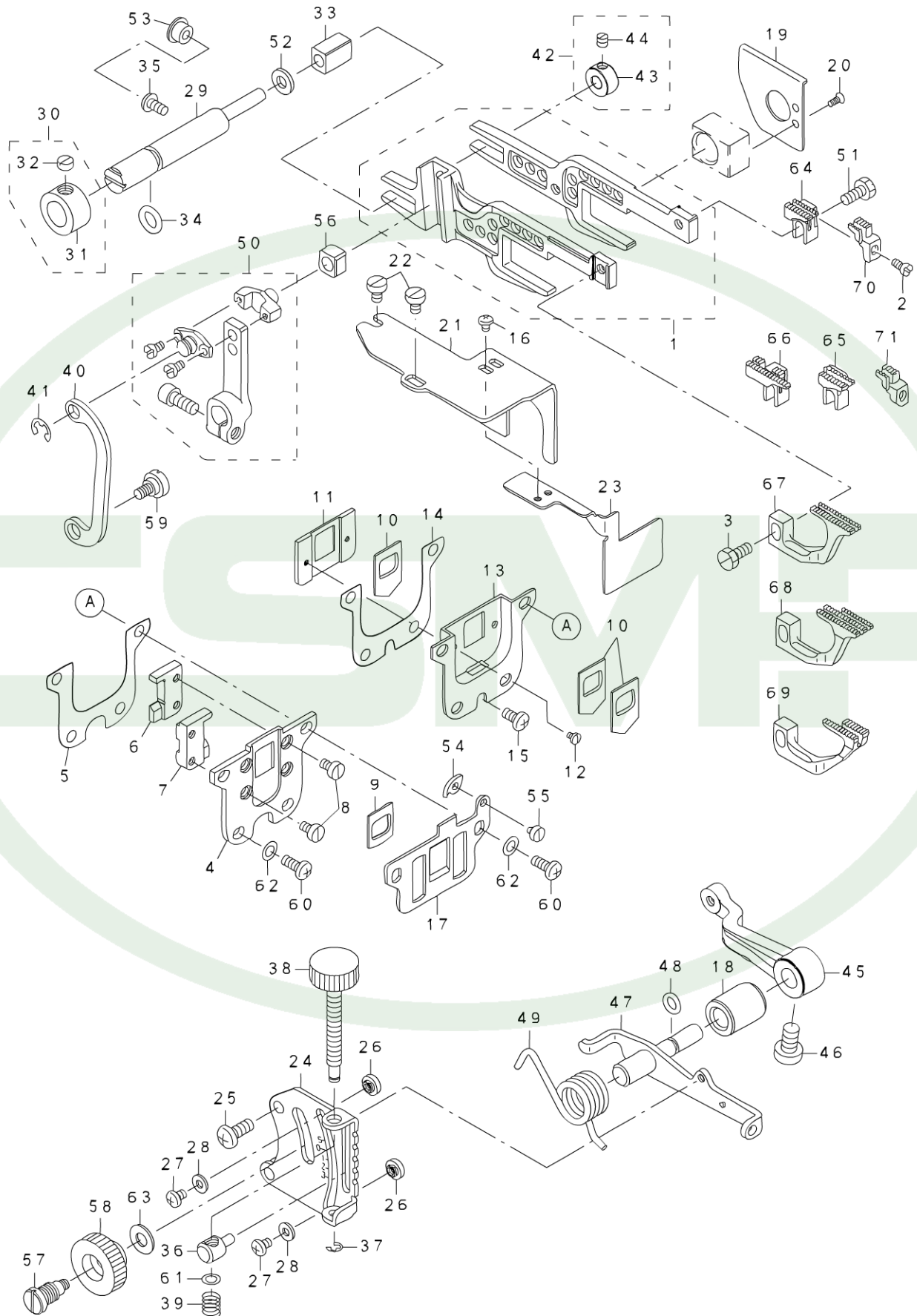
| No | note | Parts No.   | DESCRIPTION                     | Qty  |
|----|------|-------------|---------------------------------|------|
| 1  |      | 11890001    | TRAVELING NEEDLE GUARD          | 1    |
| 2  |      | 13222609    | LOOPER SHAFT FRONT BUSHING      | 2    |
| 3  |      | 13222708    | LOOPER SHAFT REAR BUSHING       | 2    |
| 4  | #01  | 13131057    | UPPER LOOPER ARM A ASM.         | 1    |
| 5  |      | 13131008    | UPPER LOOPER ARM A              | (1)  |
| 6  |      | SS9151210TP | SCREW 15/64-28 L=11.8           | (1)  |
| 7  | #02  | 13131156    | UPPER LOOPER ARM B ASM.         | 1    |
| 8  |      | 13131107    | UPPER LOOPER ARM B              | (1)  |
| 9  |      | SS9151210TP | SCREW 15/64-28 L=11.8           | (1)  |
| 10 | #01  | 40015637    | GUIDE SUPPORT ASM.              | 1    |
| 11 | #02  | 40016841    | GUIDE SUPPORT B ASM             | 1    |
| 12 |      | SS6090630TP | SCREW 9/64-40 L=6               | 3    |
| 13 |      | 11999307    | LOWER LOOPER                    | 1    |
| 14 | #01  | 11888104    | UPPER LOOPER                    | 1    |
| 15 | #02  | 12176004    | UPPER LOOPER                    | 1    |
| 16 |      | PS0300062KH | SPRING PIN 3X6                  | 1    |
| 17 |      | 13170600    | RUBBER RING                     | 1    |
| 18 |      | SS6060440TP | SCREW 3/32-56 L=3.5             | 2    |
| 19 |      | 13132550    | LOWER LOOPER SUPPORT ARM ASM.   | 1    |
| 20 |      | 13132501    | LOWER LOOPER SUPPORT ARM        | (1)  |
| 21 |      | 13129309    | WASHER                          | (1)  |
| 22 |      | SS9151210TP | SCREW 15/64-28 L=11.8           | (1)  |
| 23 |      | SM6061200SP | SCREW M6 L=12                   | 2    |
| 24 |      | 13133053    | OIL SHIELD PLATE ASM.           | 1    |
| 25 |      | 12340600    | UPPER LOOPER THREAD GUIDE       | 1    |
| 26 |      | SS7090850SP | SCREW 9/64-40 L=8               | 1    |
| 27 |      | 12340709    | LOWER LOOPER THREAD TAKE-UP     | 1    |
| 28 |      | SS6080410SP | SCREW 1/8-44 L=4                | 1    |
| 29 | #03  | 13221403    | UPPER LOOPER GUIDE A            | 1    |
| 30 | #03  | 13221502    | UPPER LOOPER GUIDE B            | 1    |
| 31 | #03  | 13221601    | UPPER LOOPER GUIDE C            | 1    |
| 32 | #03  | 13221700    | UPPER LOOPER GUIDE A            | 1    |
| 33 | #03  | 13221809    | UPPER LOOPER GUIDE B            | 1    |
| 34 | #03  | 13221908    | UPPER LOOPER GUIDE C            | 1    |
| 35 |      | 40011234    | DUST SEALING FELT               | 1    |
| 36 |      | SS7110840SP | SCREW 11/64-40 L=7.8            | 1    |
| 37 | #03  | 13131206    | UPPER LOOPER HOLDER PIN A       | 1    |
| 38 | #03  | 13131305    | UPPER LOOPER HOLDER PIN B       | 1    |
| 39 | #03  | 13131404    | UPPER LOOPER HOLDER PIN C       | 1    |
| 40 | #03  | 13131503    | UPPER LOOPER HOLDER PIN D       | 1    |
| 41 | #03  | 13131602    | UPPER LOOPER HOLDER PIN E       | 1    |
| 42 |      | SS9090610TP | SCREW 9/64-40 L=5.5             | 1    |
| 43 |      | SS9090410TP | SCREW                           | 1    |
| 44 |      | 13131701    | OIL WICK STOPPER BALL           | 1    |
| 45 | #04  | 13131909    | GUIDE SUPPORT GAUGE             | 1    |
| 46 |      | 13131800    | GAUGE FIXING PIN                | 1    |
| 47 | #05  | 13132006    | GUIDE SUPPORT GAUGE             | 1    |
| 48 |      | 12340501    | THREAD GUIDE UPPER              | 1    |
| 49 |      | SS4090615SP | SCREW 9/64-40 L=6               | 1    |
| 50 |      | 12340402    | THREAD TAKE-UP RIGHT            | 1    |
| 51 |      | SS7110840SP | SCREW 11/64-40 L=7.8            | 1    |
| 52 | #01  | 13222203    | UPPER LOOPER GAUGE COVER        | 1    |
| 53 | #02  | 13222302    | UPPER LOOPER GAUGE COVER B      | 1    |
| 54 |      | SS7060610SP | SCREW 3/32-56 L=5.5             | 2    |
| 55 |      | 40010804    | OIL SEAL RING                   | 1    |
| 56 |      | 13132709    | UPPER LOOPER SHAFT RUBBER RING  | 1    |
| 57 |      | CQ200000000 | OIL WICK                        | 0.04 |
| 58 |      | CQ202000000 | OIL WICK                        | 0.04 |
| 59 | #04  | CS1031210SH | THRUST COLLAR ASM. D=10.32 W=12 | 2    |
| 60 |      | CS1031219SH | THRUST COLLAR D=10.32 W=12      | (1)  |
| 61 |      | SS8660610TP | SCREW 1/4-40 L=6                | (2)  |
| 62 | #05  | CS1031210SH | THRUST COLLAR ASM. D=10.32 W=12 | 1    |
| 63 |      | CS1031219SH | THRUST COLLAR D=10.32 W=12      | (1)  |
| 64 |      | SS8660610TP | SCREW 1/4-40 L=6                | (2)  |
| 65 |      | SS6090620TP | SCREW                           | 1    |
| 66 |      | 12340907    | LOWER THREAD TAKE-UP LEFT       | 1    |
| 67 |      | 40099082    | LOOPER THREAD GUIDE             | 1    |

1...#01FOR MO-6704S/MO-6716S / 2...#02FOR MO-6714S / 3...#03SELECTIVE PARTS / 4...#04FOR MO-6704S/MO-6714S / 5...#05FOR MO-6716S / 6... / 7... / 8...FOR NO.10 / 9...N.O. 10, 11は、セットのみの注文になります。 / 10... /



| No | note | Parts No.   | DESCRIPTION                    | Qty |
|----|------|-------------|--------------------------------|-----|
| 1  |      | 13215157    | FEED ROCKER ASM.               | 1   |
| 2  |      | SS4080620TP | SCREW 1/8-44 L=6               | 1   |
| 3  |      | SS9111010SP | SCREW 11/64-40 L=9.5           | 1   |
| 4  |      | 13215306    | RUBBER CASE                    | 1   |
| 5  |      | 13215405    | RUBBER CASE GASKET             | 1   |
| 6  |      | 13215504    | FEED BAR SUPPORT RIGHT         | 1   |
| 7  |      | 13215603    | FEED BAR SUPPORT LEFT          | 1   |
| 8  |      | SS6090620TP | SCREW                          | 4   |
| 9  |      | 12118303    | DUST-PROOF RUBBER              | 1   |
| 10 |      | 70004244    | OIL SHIELD RUBBER              | 3   |
| 11 |      | 13215702    | RUBBER HOLDING PLATE           | 1   |
| 12 |      | SS7060310SP | SCREW 3/32-56 L=3              | 2   |
| 13 |      | 13215900    | OIL SHIELD CASE                | 1   |
| 14 |      | 13216007    | OIL SHIELD CASE GASKET         | 1   |
| 15 |      | SM4040855SP | SCREW                          | 1   |
| 16 |      | SM4030455SP | SCREW                          | 2   |
| 17 |      | 13215801    | THROAT PLATE SUPPORT           | 1   |
| 18 |      | 13122700    | ADJUSTING SHAFT METAL          | 1   |
| 19 |      | 13216106    | OIL SHIECD PLATE               | 1   |
| 20 |      | SS1060610SP | SCREW 3/32-56 L=5.5            | 2   |
| 21 |      | 13216205    | FEED CAM OIL SHIECD PLATE      | 1   |
| 22 |      | SM6040600SP | SCREW M4 L=6                   | 2   |
| 23 |      | 13216304    | OIL SHIECD PLATE               | 1   |
| 24 |      | 13122809    | DIFFERENTIAL FEED GRADUATION   | 1   |
| 25 |      | SM4051255SP | SCREW M5 L=12                  | 2   |
| 26 |      | 13121405    | ADJUSTING STOPPER              | 2   |
| 27 |      | SS4090515SP | SCREW 9/64-40 L=5              | 2   |
| 28 |      | WP0371016SD | WASHER 3.7X8X1                 | 2   |
| 29 |      | 13120902    | SUPPORT SHAFT                  | 1   |
| 30 |      | 13121058    | HRUST COLLAR ASM.              | 1   |
| 31 |      | 13121009    | HRUST COLLAR                   | (1) |
| 32 |      | SS8660330SP | SCREW 1/4-40 L=3.0             | (1) |
| 33 |      | 13120803    | SLIDE BLOCK                    | 1   |
| 34 |      | 13170204    | RUBBER RING                    | 1   |
| 35 |      | SM4040855SP | SCREW                          | 1   |
| 36 |      | 13217708    | DIFFERENTIAL FEED BLOCK        | 1   |
| 37 |      | RE0300000K0 | E-RING 3                       | 1   |
| 38 |      | 13213012    | ADJUSTING SCREW                | 1   |
| 39 |      | 13123302    | DIFFERENTIAL FEED SCREW SPRING | 1   |
| 40 |      | 13121306    | ADJUSTING LINK                 | 1   |
| 41 |      | RE0500000K0 | E-RING 5                       | 1   |
| 42 |      | 13121256    | SUPPORT SHAFT COLLAR ASM.      | 1   |
| 43 |      | 13121207    | SUPPORT SHAFT COLLAR           | (1) |
| 44 |      | SS8110410TP | SCREW 11/64-40 L=3.5           | (1) |
| 45 |      | 13121900    | DIFFERENTIAL FEED ROCKER       | 1   |
| 46 |      | SS6661110SP | SCREW 1/4-40 L=11              | 1   |
| 47 |      | 13217351    | ROCKER SHAFT ASM.              | 1   |
| 48 |      | 13170501    | RUBBER RING                    | 1   |
| 49 |      | 13121603    | ADJUSTING LEVER SPRING         | 1   |
| 50 |      | 13218052    | DIFFERENTIAL FEED ARM ASM.     | 1   |
| 51 |      | SS9111050SP | SCREW 11/64-40 L=9.5           | 1   |
| 52 |      | 13121108    | WASHER                         | 1   |
| 53 |      | TA0800504R0 | PLUG D=8 L=4.5                 | 1   |
| 54 |      | 13200902    | FEED MECHANISM COVER PRESSER   | 1   |
| 55 |      | SS6080340SP | SCREW 1/8-44 L=2.9             | 1   |
| 56 |      | 13218102    | SLIDE BLOCK                    | 1   |
| 57 |      | 13217401    | DIFFERENTIAL FEED HINGE SCREW  | 1   |
| 58 |      | 13217500    | DIFFERENTIAL FEED LOCK NUT     | 1   |
| 59 |      | SD0720271SP | HINGE SCREW D=7.2 H=2.7        | 1   |
| 60 |      | SM4041055SP | SCREW M4 L=10                  | 4   |
| 61 |      | WP0460556SD | WASHER 4.6X7.5X0.5             | 1   |
| 62 |      | WP0480856SP | WASHER 4.8X8.4X0.8             | 4   |
| 63 |      | WP0621016SD | WASHER 6.2X13X1                | 1   |
| 64 | #03  | 13191606    | MAIN FEED DOG                  | 1   |
| 65 | #04  | 13192000    | MAIN FEED DOG                  | 1   |
| 66 | #02  | 13192406    | MAIN FEED DOG                  | 1   |
| 67 | #03  | 13192802    | DIFFERENTIAL FEED DOG          | 1   |
| 68 | #04  | 13193206    | DIFFERENTIAL FEED DOG          | 1   |
| 69 | #02  | 13193602    | DIFFERENTIAL FEED DOG          | 1   |
| 70 | #01  | 13191309    | AUXILIARY FEED DOG             | 1   |
| 71 | #02  | 13191408    | AUXILIARY FEED DOG             | 1   |

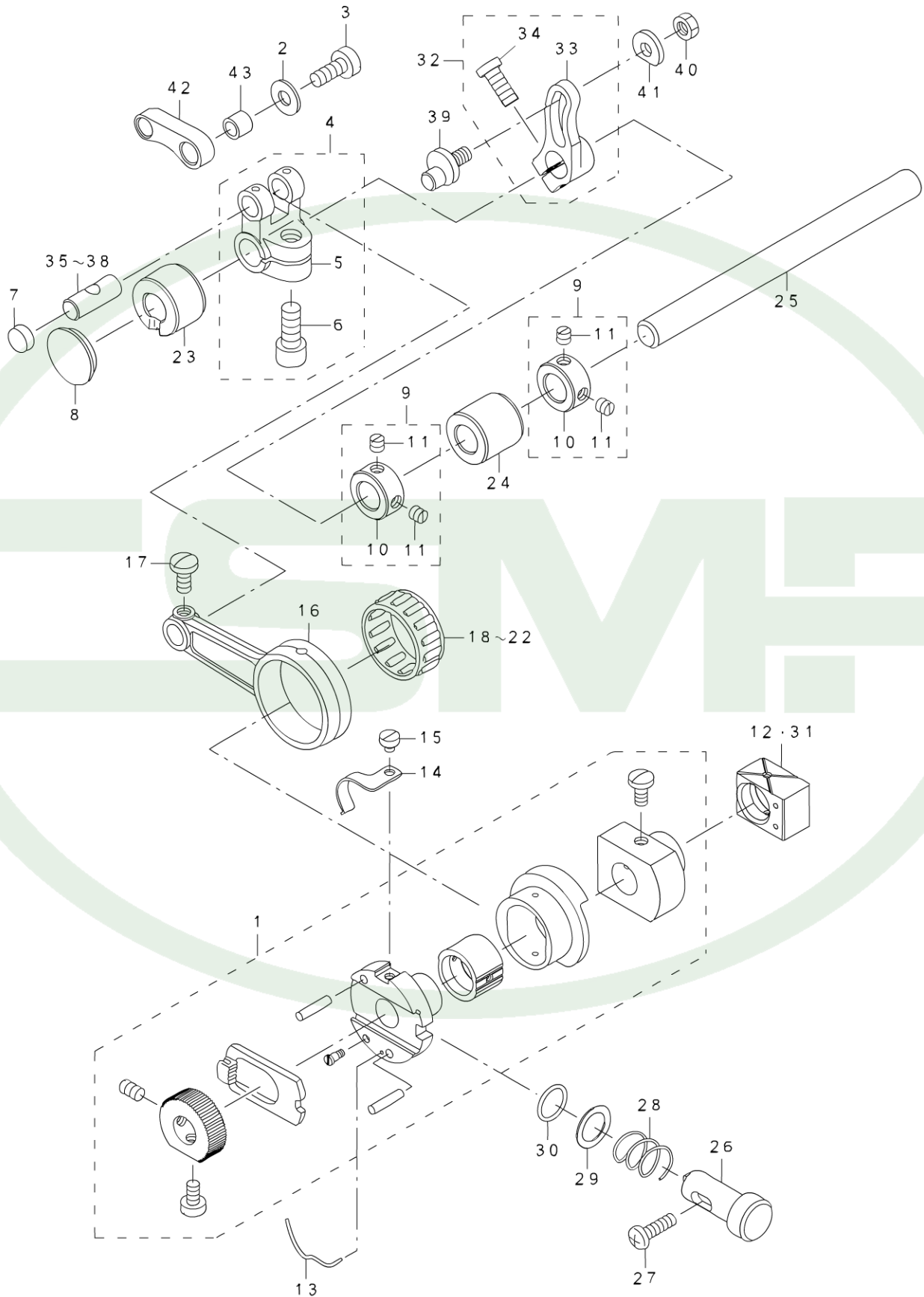
1...#01FOR MO-6704S/MO-6714S / 2...#02FOR MO-6716S / 3...#03FOR MO-6704S / 4...#04FOR MO-6714S / 5... / 6... / 7...FOR NO.1 / 8...N.O. 1, 5 0は、セットのみの注文になります。 / 9... /





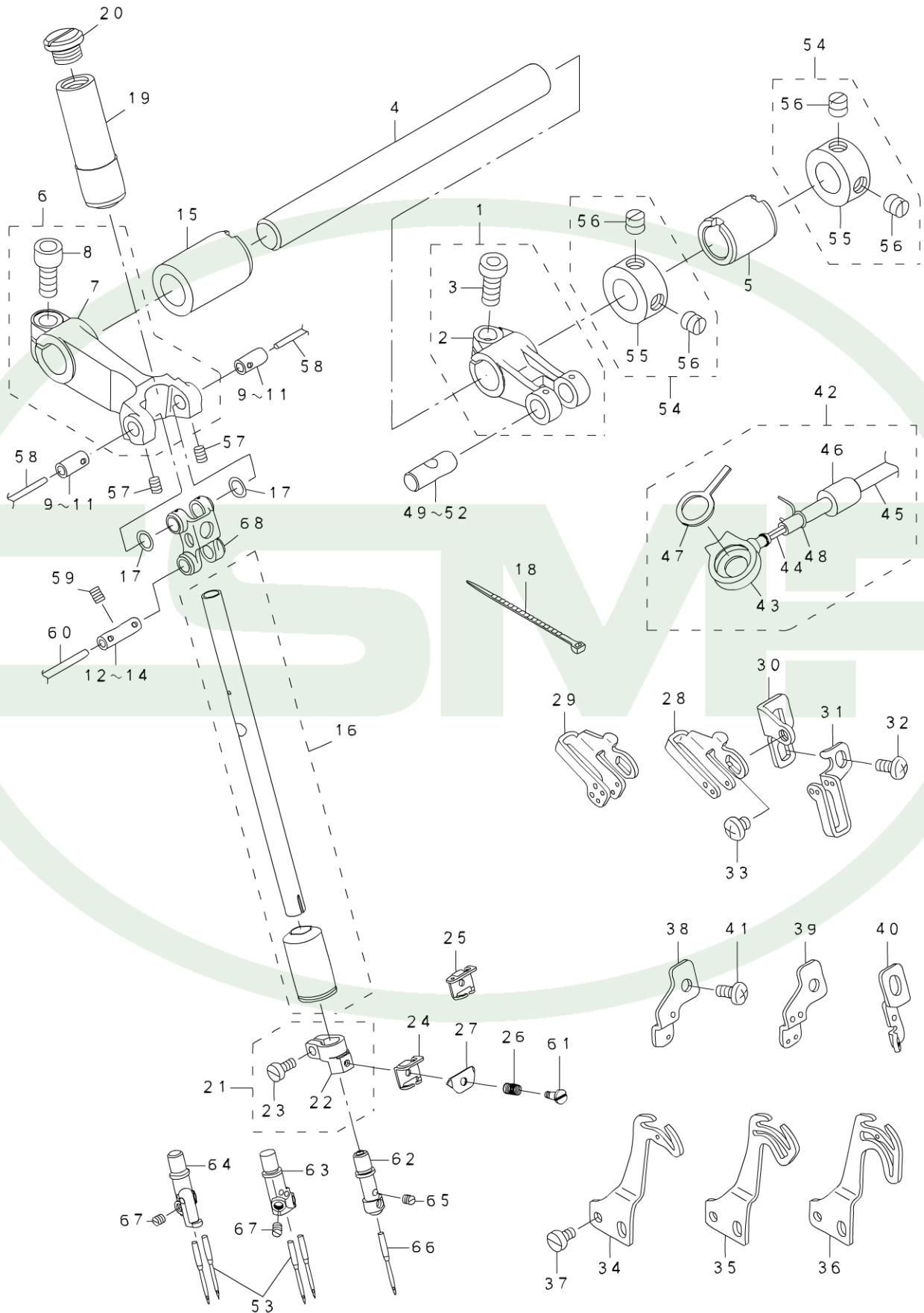
| No | note | Parts No.   | DESCRIPTION                   | Qty |
|----|------|-------------|-------------------------------|-----|
| 1  |      | 13118054    | FEED ECCENTRIC BODY ASM.      | 1   |
| 2  |      | 13120605    | WASHER                        | 1   |
| 3  |      | SS6121220TP | SCREW 3/16-28 L=11.5          | 1   |
| 4  |      | 13122452    | FEED BRANCH CRANK ASM.        | 1   |
| 5  |      | 13122403    | FEED BRANCH CRANK             | (1) |
| 6  |      | SM6061402TP | SCREW M6 L=14                 | (1) |
| 7  |      | TA1030402R0 | RUBBER PLUG D=10.3 L=4        | 1   |
| 8  |      | TA2050416R0 | RUBBER PLUG                   | 1   |
| 9  |      | 13172556    | FEED SHAFT THRUST COLLAR ASM. | 2   |
| 10 |      | 13172507    | FEED SHAFT THRUST COLLAR      | (1) |
| 11 |      | SS8110410TP | SCREW 11/64-40 L=3.5          | (2) |
| 12 | #01  | 13217807    | SLIDE BLOCK A                 | 1   |
| 13 |      | 13122502    | RATCHET PAWL SPRING           | 1   |
| 14 |      | 13119300    | RATCHET GEAR SPRING           | 1   |
| 15 |      | SS6080320SP | SCREW 1/8-44 L=2.5            | 1   |
| 16 |      | 13118708    | FEED CRANK ROD                | 1   |
| 17 |      | SS7110910TP | SCREW 11/64-40 L=8.5          | 1   |
| 18 | #01  | 12116604    | NEEDLE BEARING                | 1   |
| 19 | #01  | 12116703    | NEEDLE BEARING B              | 1   |
| 20 | #01  | 12116802    | NEEDLE BEARING C              | 1   |
| 21 | #01  | 12116901    | NEEDLE BEARING D              | 1   |
| 22 | #01  | 12117008    | NEEDLE BEARING E              | 1   |
| 23 |      | 13119409    | FEED SHAFT METAL FRONT        | 1   |
| 24 |      | 13119508    | FEED SHAFT METAL REAR         | 1   |
| 25 |      | 13119607    | FEED SHAFT                    | 1   |
| 26 |      | 13216809    | PUSH BUTTON SHAFT             | 1   |
| 27 |      | SM4041455SN | SCREW M4 L=14                 | 1   |
| 28 |      | 13216601    | PUSH BUTTON SPRING            | 1   |
| 29 |      | 13216700    | PUSH BUTTON SHAFT WASHER      | 1   |
| 30 |      | 13244108    | RUBBER RING                   | 1   |
| 31 | #01  | 13217906    | SLIDE BLOCK B                 | 1   |
| 32 |      | 13119953    | MAIN FEED ARM ASM.            | 1   |
| 33 |      | 13119904    | MAIN FEED ARM                 | (1) |
| 34 |      | SM6051202TP | SCREW M5X0.8 L=12             | (1) |
| 35 | #01  | 13122007    | CRANK PIN A                   | 1   |
| 36 | #01  | 13122106    | CRANK PIN B                   | 1   |
| 37 | #01  | 13122205    | CRANK PIN C                   | 1   |
| 38 | #01  | 13122304    | CRANK PIN D                   | 1   |
| 39 |      | 13119706    | MAIN FEED ARM PIN             | 1   |
| 40 |      | NS6620320SP | NUT 3/16-32                   | 1   |
| 41 |      | 13120001    | WASHER B                      | 1   |
| 42 |      | 13119805    | MAIN FEED LINK                | 1   |
| 43 |      | B1620804000 | PIN COLLAR                    | 1   |

1...#01SELECTIVE PARTS / 2... / 3...  
 / 4...FOR NO.1 / 5...N O . 1は、セットのみの注文になります。 / 6... /



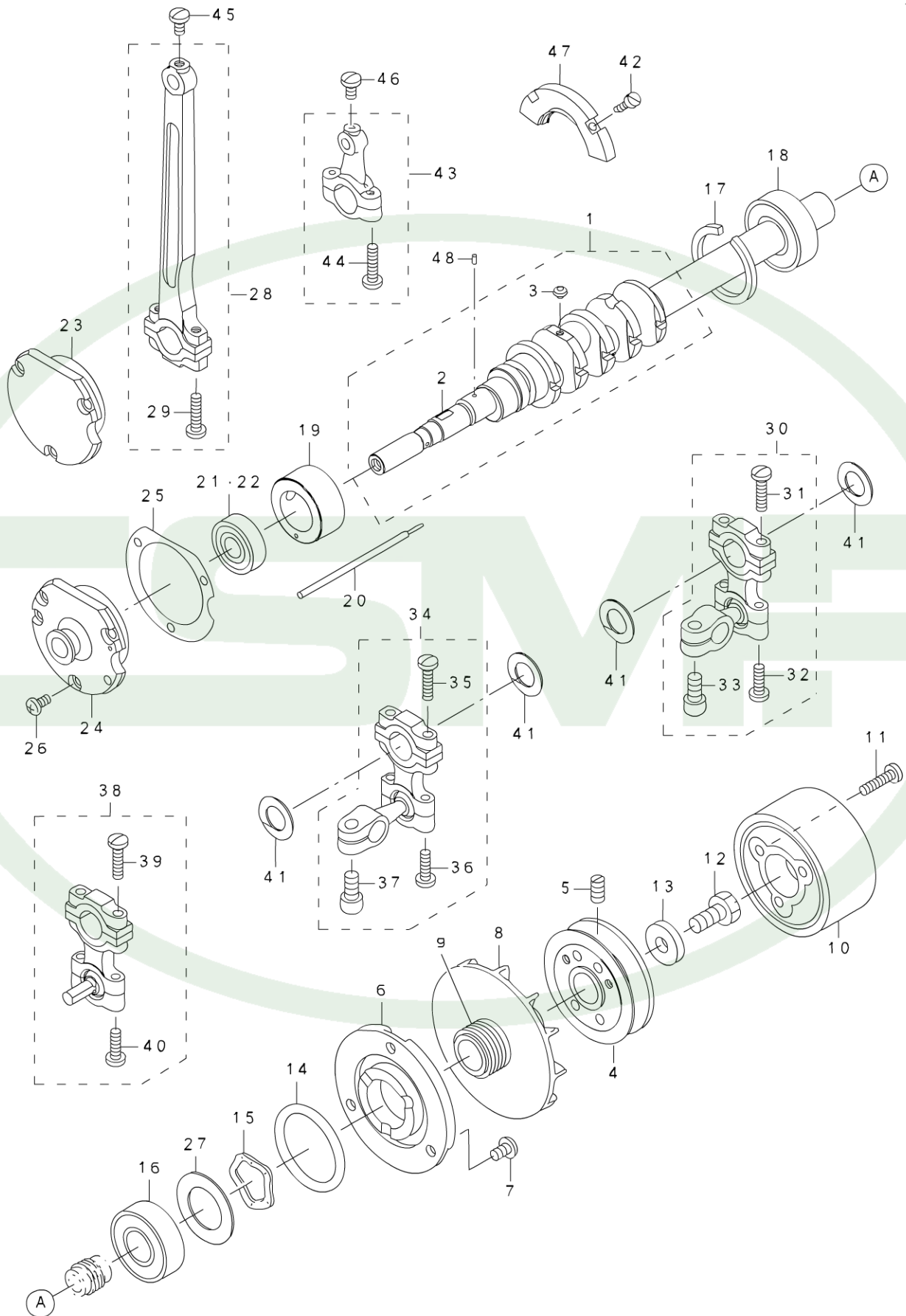
| No | note | Parts No.   | DESCRIPTION                    | Qty    |
|----|------|-------------|--------------------------------|--------|
| 1  |      | 13110556    | FEED FORKED CRANK ASM.         | 1      |
| 2  |      | 13110507    | NEEDLE DRIVING BRANCH CRANK    | (1)    |
| 3  |      | SM6061402TP | SCREW M6 L=14                  | (1)    |
| 4  |      | 13110606    | NEEDLE DRIVING SHAFT           | 1      |
| 5  |      | 13110101    | BUSHING REAR                   | 1      |
| 6  |      | 13209853    | NEEDLE DRIVING ARM ASM.        | 1      |
| 7  |      | 13209804    | NEEDLE DRIVING ARM             | (1)    |
| 8  |      | SM6061402TP | SCREW M6 L=14                  | (1)    |
| 9  | #07  | 13209101    | NEEDLE DRIVING ARM PIN A       | 2      |
| 10 | #07  | 13209200    | NEEDLE DRIVING ARM PIN B       | 2      |
| 11 | #07  | 13209309    | NEEDLE DRIVING ARM PIN C       | 2      |
| 12 | #07  | 13209408    | NEEDLE DRIVING PIN A           | 1      |
| 13 | #07  | 13209507    | NEEDLE DRIVING PIN B           | 1      |
| 14 | #07  | 13209606    | NEEDLE DRIVING PIN C           | 1      |
| 15 |      | 13110002    | BUSHING REAR                   | 1      |
| 16 |      | 13208350    | NEEDLE ROD (A) ASM.            | 1      |
| 17 |      | 13208103    | NEEDLE DRIVING LINK WASHER     | 2      |
| 18 |      | EA9500B0100 | CABLE BAND                     | 1      |
| 19 |      | 13209705    | NEEDLE ROD BUSHING UPPER       | 1      |
| 20 |      | 13207808    | NEEDLE ROD BUSHING CAP SCREW   | 1      |
| 21 |      | 13110259    | NEEDLE CLAMP HOLDER ASM.       | 1      |
| 22 |      | 13110200    | NEEDLE CLAMP HOLDER            | (1)    |
| 23 |      | SS6080720SP | SCREW 1/8-44 L=7               | (1)    |
| 24 | #01  | 13110705    | NEEDLE THREAD PRESSER GUIDE A  | 1      |
| 25 | #02  | 13110804    | NEEDLE THREAD PRESSER GUIDE B  | 1      |
| 26 |      | 13110903    | NEEDLE THREAD PRESSER SPRING   | 1      |
| 27 |      | 13111000    | NEEDLE THREAD PRESSER PLATE A  | 1      |
| 28 | #03  | 13208806    | NEEDLE THREAD GUIDE            | 1      |
| 29 | #04  | 13208905    | THREAD GUIDE 2-NEEDLE          | 1      |
| 30 |      | 13208707    | NEEDLE THREAD GUIDE BASE       | 1      |
| 31 | #02  | 13111109    | THREAD GUIDE CHAIN LOOPER      | 1      |
| 32 |      | SM4040855SP | SCREW                          | 2      |
| 33 |      | SS4110515SP | SCREW 11/64-40 L=5             | 1      |
| 34 | #05  | 13111208    | NEEDLE THREAD TAKE-UP LEVER    | 1      |
| 35 | #04  | 13111307    | TAKE-UP LEVER 2-NEEDLE         | 1      |
| 36 | #02  | 13111406    | TAKE-UP LEVER CHAIN LOOP       | 1      |
| 37 |      | SS6090670TP | SCREW 9/64-40 L=6              | 2      |
| 38 | #03  | 13111505    | NEEDLE THREAD BALANCE GUIDE    | 1      |
| 39 | #04  | 13111604    | TAKE-UP LEVER GUIDE 2-NEEDLE   | 1      |
| 40 | #02  | 13111703    | TAKE-UP LEVER GUIDE CHAIN LOOP | 1      |
| 41 |      | SM4040855SP | SCREW                          | 1      |
| 42 |      | 13208459    | ONCE THROUGH OIL PIPE ASM.     | 1      |
| 43 |      | 13208509    | ONCE THROUGH OIL COVER         | (1)    |
| 44 |      | CQ200000000 | OIL WICK                       | (0.8)  |
| 45 |      | 23630007    | TUBE                           | (0.39) |
| 46 |      | 13244009    | ONCE THROUGH OIL PIPE BUSHING  | (1)    |
| 47 |      | 13208608    | ONCE THROUGH OIL FELT          | (1)    |
| 48 |      | 13142609    | PIPE CLAMP                     | (1)    |
| 49 | #07  | 13122007    | FEED BRANCH CRANK PIN A        | 1      |
| 50 | #07  | 13122106    | FEED BRANCH CRANK PIN B        | 1      |
| 51 | #07  | 13122205    | FEED BRANCH CRANK PIN C        | 1      |
| 52 | #07  | 13122304    | FEED BRANCH CRANK PIN D        | 1      |
| 53 | #06  | MDC270B1100 | NEEDLE DCX27 #11               | 2      |
| 54 |      | 13172754    | THRUST COLLAR ASM.             | 2      |
| 55 |      | 13172705    | THRUST COLLAR                  | (1)    |
| 56 |      | SS8660610TP | SCREW 1/4-40 L=6               | (2)    |
| 57 |      | SS8090530TP | SCREW 9/64-40 L=5.0            | 2      |
| 58 |      | CQ202000000 | OIL WICK                       | 0.09   |
| 59 |      | SS8090530TP | SCREW 9/64-40 L=5.0            | 1      |
| 60 |      | CQ252000000 | OIL WICK                       | 0.04   |
| 61 |      | SD0280401SL | HINGE SCREW D=2.8 H=4          | 1      |
| 62 | #05  | 13175005    | NEEDLE CLAMP 1-NEEDLE          | 1      |
| 63 | #04  | 13175203    | NEEDLE CLAMP 2-NEEDLE          | 1      |
| 64 | #02  | 12257002    | CHAIN LOOPER NEEDLE CLAMP DEA  | 1      |
| 65 | #05  | SS8080310TP | SCREW 1/8-44 L=2.8             | 1      |
| 66 | #05  | MDC270B1100 | NEEDLE DCX27 #11               | 1      |
| 67 | #06  | SS8080310TP | SCREW 1/8-44 L=2.8             | 2      |
| 68 |      | 13208004    | NEEDLE DRIVING LINK            | 1      |

1...#01FOR MO-6704S/MO-6714S / 2...#02FOR MO-6716S / 3...#03FOR MO-6704S/MO-6716S / 4...#04FOR MO-6714S / 5...#05FOR MO-6704S / 6...#06FOR MO-6714S/MO-6716S / 7...#07SELECTIVE PARTS / 8... / 9... / 10...FOR NO.16 / 11...N.O. 16は、セットのみの注文になります。 / 12... /



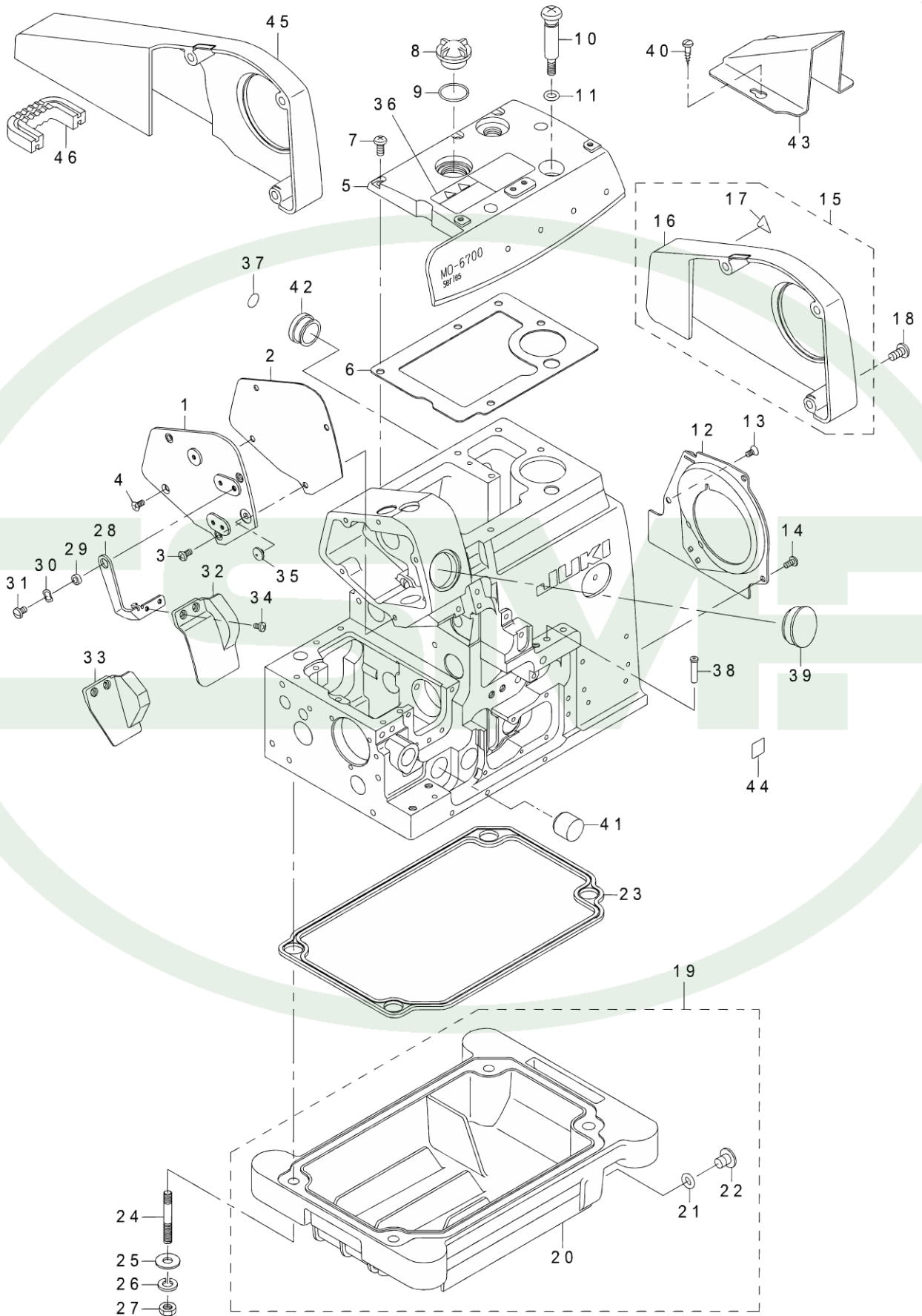
| No | note | Parts No.   | DESCRIPTION                | Qty |
|----|------|-------------|----------------------------|-----|
| 1  |      | 40023235    | MAIN SHAFT ASM.            | 1   |
| 2  |      | 40023234    | MAIN SHAFT (300)           | (1) |
| 3  |      | SS5080212TP | SCREW 1/8-44 L=2           | (5) |
| 4  |      | 13107602    | HANDWHEEL (A)              | 1   |
| 5  |      | SS8151150TP | SCREW 15/64-28 L=10.5      | 2   |
| 6  |      | 13107800    | THRUST COLLAR              | 1   |
| 7  |      | SM4050855SP | SCREW M5 L=8               | 3   |
| 8  |      | 13108402    | COOLING FAN                | 1   |
| 9  |      | 13108501    | CRANKSHFT OIL SHIELD       | 1   |
| 10 |      | 13107701    | HANDWHEEL                  | 1   |
| 11 |      | SS7111810TP | SCREW 11/64-40 L=18        | 3   |
| 12 |      | SS9681610TP | SCREW 9/32-28 L=16         | 1   |
| 13 |      | WP0764016SP | WASHER                     | 1   |
| 14 |      | 13170303    | RUBBER RING                | 1   |
| 15 |      | WZ2640310KH | WAVED WASHER 26.4X33.9X3.5 | 1   |
| 16 |      | B1211804000 | BALL BEARING B             | 1   |
| 17 |      | B1212704000 | BEARING RETAINER           | 1   |
| 18 |      | B1211804000 | BALL BEARING B             | 1   |
| 19 |      | 13205406    | CRANKSHAFT BUSHING C       | 1   |
| 20 |      | 13104906    | OIL ADJUSTING BAR          | 1   |
| 21 | #01  | B1215804000 | BALL BEARING D             | 1   |
| 22 | #02  | SB110000300 | BALL BEARING               | 1   |
| 23 | #01  | 13108006    | CRANKSHAFT BUSHING D       | 1   |
| 24 | #02  | 13108105    | CRANKSHAFT BUSHING D       | 1   |
| 25 |      | 13108204    | CRANKSHAFT BUSHING GASKET  | 1   |
| 26 |      | SM4040855SP | SCREW                      | 3   |
| 27 |      | 13108303    | BEARING HOLDING PLATE      | 1   |
| 28 |      | 12109153    | CONNECTING ROD ASM.        | 1   |
| 29 |      | SS7111810TP | SCREW 11/64-40 L=18        | (2) |
| 30 |      | 12122362    | UPPER LOOPER ROD ASM.      | 1   |
| 31 |      | SS7111810TP | SCREW 11/64-40 L=18        | (2) |
| 32 |      | SS7111410TP | SCREW 11/64-40 L=14        | (2) |
| 33 |      | SM6061202TP | SCREW M6 L=12              | (1) |
| 34 | #01  | 12123360    | LOWER LOOPER ROD ASM. A    | 1   |
| 35 |      | SS7111810TP | SCREW 11/64-40 L=18        | (2) |
| 36 |      | SS7111410TP | SCREW 11/64-40 L=14        | (2) |
| 37 |      | SM6061202TP | SCREW M6 L=12              | (1) |
| 38 | #02  | 12120150    | LOWER LOOPER ROD ASM. B    | 1   |
| 39 |      | SS7111810TP | SCREW 11/64-40 L=18        | (2) |
| 40 |      | SS7111410TP | SCREW 11/64-40 L=14        | (2) |
| 41 |      | 40017824    | LOOPER LOD STOPPER         | 4   |
| 42 |      | SS6081210TP | SCREW 1/8-44 L=12          | 2   |
| 43 |      | 12132155    | KNIFE DRIVING ROD ASM.     | 1   |
| 44 |      | SS7111810TP | SCREW 11/64-40 L=18        | (2) |
| 45 |      | SS7110840SP | SCREW 11/64-40 L=7.8       | 1   |
| 46 |      | SS7110840SP | SCREW 11/64-40 L=7.8       | 1   |
| 47 |      | 40017714    | BALANCER                   | 1   |
| 48 |      | 40035711    | OIL WICK                   | 1   |

1...#01FOR MO-6704S/MO-6714S / 2...#02FOR MO-6716S / 3... / 4...  
 / 5...FOR NO.28 / 6...NO. 28, 30, 34, 38, 43は、セットのみの注文になります。 / 7... /



| No | note | Parts No.   | DESCRIPTION                 | Qty |
|----|------|-------------|-----------------------------|-----|
| 1  |      | 13200209    | SIDE COVER                  | 1   |
| 2  |      | 13200308    | SIDE COVER GASKET           | 1   |
| 3  |      | SM4040855SP | SCREW                       | 3   |
| 4  |      | SM1040801SC | SCREW M4X0.7 L=8            | 1   |
| 5  |      | 13200506    | UPPER COVER                 | 1   |
| 6  |      | 13200605    | UPPER COVER GASKET          | 1   |
| 7  |      | SM4051255SP | SCREW M5 L=12               | 5   |
| 8  |      | 22924708    | OIL SIGHT WINDOW            | 1   |
| 9  |      | 13170006    | RUBBER RING                 | 1   |
| 10 |      | 13104500    | OIL DRAIN SCREW             | 1   |
| 11 |      | 13170204    | RUBBER RING                 | 1   |
| 12 |      | 13201009    | COOLING FAN PLATE           | 1   |
| 13 |      | SM1040801SC | SCREW M4X0.7 L=8            | 1   |
| 14 |      | SM4040855SP | SCREW                       | 2   |
| 15 | #04  | 13201454    | BELT COVER ASM.             | 1   |
| 16 |      | 13201405    | BELT COVER                  | (1) |
| 17 |      | CM300200001 | ATTENTION SEAL              | (1) |
| 18 |      | SS4151215SP | SCREW 15/64-28 L=12         | 3   |
| 19 |      | 13102553    | OIL RESERVOIR ASM.          | 1   |
| 20 |      | 13102504    | OIL RESERVOIR               | (1) |
| 21 |      | 13170105    | RUBBER RING                 | (1) |
| 22 |      | 13171004    | DRAIN SCREW                 | (1) |
| 23 |      | 13102603    | OIL RESERVOIR GASKET        | 1   |
| 24 |      | 13103908    | SCREW STUD                  | 4   |
| 25 |      | WP0751576SD | WASHER 7.5X19X1.5           | 4   |
| 26 |      | WS0822010KP | SPRING WASHER 8.2X15X2      | 4   |
| 27 |      | NS6680410SP | NUT 9/32-28                 | 4   |
| 28 |      | 13201108    | SAFETY PLATE BRACKET        | 1   |
| 29 |      | 13104807    | SAFETY PLATE BRACKET COLLAR | 1   |
| 30 |      | WZ0850302K0 | WAVED WASHER 8.5X12.5X0.3   | 1   |
| 31 |      | SS5110710SP | SCREW 11/64-40 L=7          | 1   |
| 32 | #02  | 13201306    | SAFETY PLATE                | 1   |
| 33 | #01  | 13201207    | SAFETY PLATE                | 1   |
| 34 |      | SS7090611SL | SCREW 9/64-40 L=6.1         | 2   |
| 35 |      | 13204003    | SAFETY PLATE BUSH           | 1   |
| 36 |      | CM301300001 | SAFETY LABEL                | 1   |
| 37 |      | 22901805    | GROUND MARK                 | 1   |
| 38 |      | 13102900    | THREAD GUIDE LARGE          | 2   |
| 39 |      | 10753309    | WINDOW PLATE RUBBER PLUG    | 1   |
| 40 |      | SK3412001SE | WOOD SCREW D=4.1 L=20       | 2   |
| 41 | #01  | TA1871602R0 | RUBBER PLUG                 | 1   |
| 42 |      | TA2050805R0 | RUBBER PLUG                 | 1   |
| 43 |      | 13160700    | BELT COVER (B)              | 1   |
| 44 | #03  | CM600100101 | WEEE MARK LABEL S           | 1   |
| 45 | #04  | 40037392    | BELT COVER C                | 1   |
| 46 | #04  | 40040065    | VIBRATION PROOF RUBBER      | 1   |

1...#01FOR MO-6704S/MO-6714S / 2...#02FOR MO-6716S / 3...#03FOR JE/TURKEY / 4...#04VARIOUS NOS. FOR DESTINATIONS / 5... /



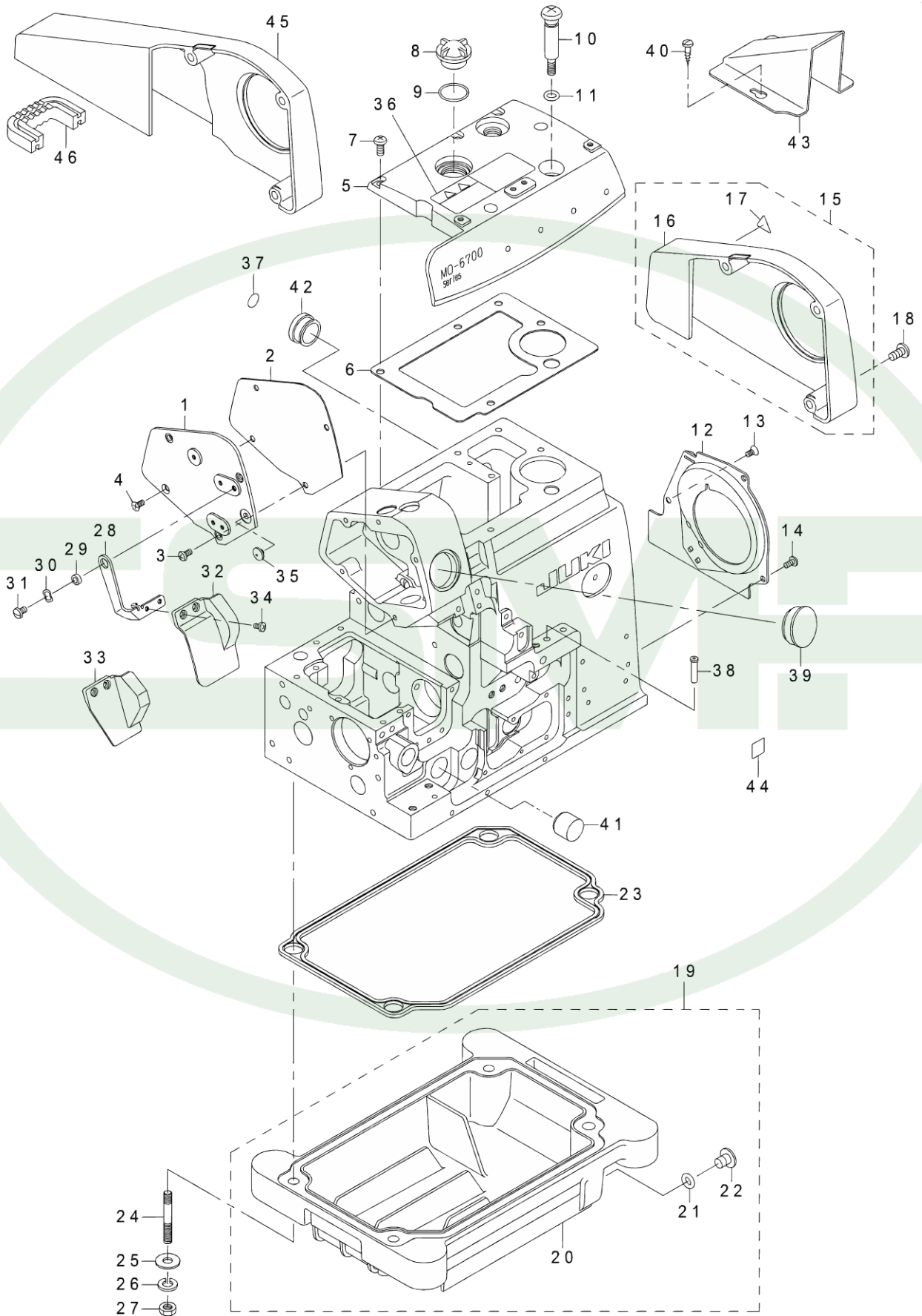


| No | note | Parts No.   | DESCRIPTION                    | Qty |
|----|------|-------------|--------------------------------|-----|
| 1  | #04  | 13104005    | CLOTH WASTE COVER              | 1   |
| 2  | #02  | 13104203    | CLOTH WASTE COVER              | 1   |
| 3  |      | 13102405    | CROTH WASTE COVER STOPPER      | 1   |
| 4  |      | SS2090520SL | SCREW 9/64-40 L=5              | 1   |
| 5  |      | NS6090310SN | NUT 9/64-40                    | 1   |
| 6  |      | SS3090610SP | SCREW 9/64-40 L=6              | 2   |
| 7  |      | 13200704    | FEED MECHANISM COVER           | 1   |
| 8  |      | 13200803    | FEED MECHANISM COVER GASKET    | 1   |
| 9  |      | SM4040855SP | SCREW                          | 4   |
| 10 |      | SM1040801SC | SCREW M4X0.7 L=8               | 1   |
| 11 |      | 12342101    | CLOTH BASE SIDE COVER          | 1   |
| 12 |      | SS4120615SP | SCREW 3/16-28 L=6              | 2   |
| 13 |      | 13103809    | CLOTH BASE COVER               | 1   |
| 14 |      | SS4091015SP | SCREW 9/64-40 L=10             | 2   |
| 15 |      | 13100904    | LOOPER COVER                   | 1   |
| 16 |      | 13100805    | LOOPER COVER BRACKET           | 1   |
| 17 |      | SM4041055SP | SCREW M4 L=10                  | 3   |
| 18 |      | 13101209    | LOOPER COVER SPRING            | 1   |
| 19 |      | 13101407    | LOOPER COVER PRESSER PLATE     | 1   |
| 20 |      | SS7090530SP | SCREW 9/64-40 L=4.5            | 1   |
| 21 |      | 13101001    | LOOPER COVER GUIDE PLATE       | 1   |
| 22 |      | SS7090610SP | SCREW 9/64-40 L=6              | 1   |
| 23 |      | SS8110410TP | SCREW 11/64-40 L=3.5           | 1   |
| 24 |      | SS8110410TP | SCREW 11/64-40 L=3.5           | 1   |
| 25 | #01  | 13101506    | CLOTH WASTE COVER LEFT         | 1   |
| 26 | #02  | 13101605    | CLOTH WASTE COVER LEFT         | 1   |
| 27 |      | SS7110510SP | SCREW 11/64-40 L=5             | 2   |
| 28 |      | 13101704    | CLOTH BASE SWITCH-TYPE STOPPER | 1   |
| 29 |      | SS7110710SP | SCREW 11/64-40 L=7             | 2   |
| 30 |      | 13101308    | LOOPER COVER PRESSER SPRING    | 1   |
| 31 |      | SM4040655SP | SCREW M4 L=6                   | 1   |
| 32 |      | 13101803    | CROTH BASE SUPPORT PLATE       | 1   |
| 33 |      | SS7091410SP | SCREW 9/64-40 L=13.5           | 1   |
| 34 |      | 13103650    | CLOTH BASE Cmpl.               | 1   |
| 35 |      | 13102058    | CLOTH BASE ASM.                | (1) |
| 36 |      | 13101902    | CLOTH BASE ECCENTRIC BUSHING   | (1) |
| 37 |      | WZ0420350KP | DISC SPRING                    | (1) |
| 38 |      | 13172903    | CLOTH BASE HINGE SHAFT COLLAR  | (1) |
| 39 |      | SM8040302TP | SETSCREW                       | (1) |
| 40 |      | CM300200001 | ATTENTION SEAL                 | 1   |
| 41 |      | 40102307    | ADJUSTING HOLE COVER           | 1   |
| 42 |      | 13201603    | ADJUSTING HOLE COVER GASKET    | 1   |
| 43 |      | SM4040855SP | SCREW                          | 4   |
| 44 |      | 13104302    | CLOTH BASE COVER RUBBER PLUG   | 1   |
| 45 |      | 13102207    | CLOTH BASE SWITCH-TYPE SPRING  | 1   |
| 46 |      | NS6110420SP | NUT 11/64-40                   | 1   |
| 47 |      | SS6111440SP | SCREW 11/64-40 L=14.0          | 1   |
| 48 | #03  | 13240007    | LOOPER COVER HINGE SHAFT A     | 1   |
| 49 | #03  | 13240106    | LOOPER COVER HINGE SHAFT B     | 1   |
| 50 | #03  | 13240205    | LOOPER COVER HINGE SHAFT C     | 1   |
| 51 | #05  | 13104104    | CLOTH WASTE COVER              | 1   |
| 52 | #06  | 40150131    | EAC MARK LABEL S               | 1   |

1...#01FOR MO-6704S/MO-6714S / 2...#02FOR MO-6716S / 3...#03SELECTIVE PARTS / 4...#04FOR MO-6704S/MO-6714S/(EXCEPT TYPE SH) / 5...#05FOR MO-6704S/MO-6714S/(FOR TYPE SH) / 6...#06FOR JE / 7... /

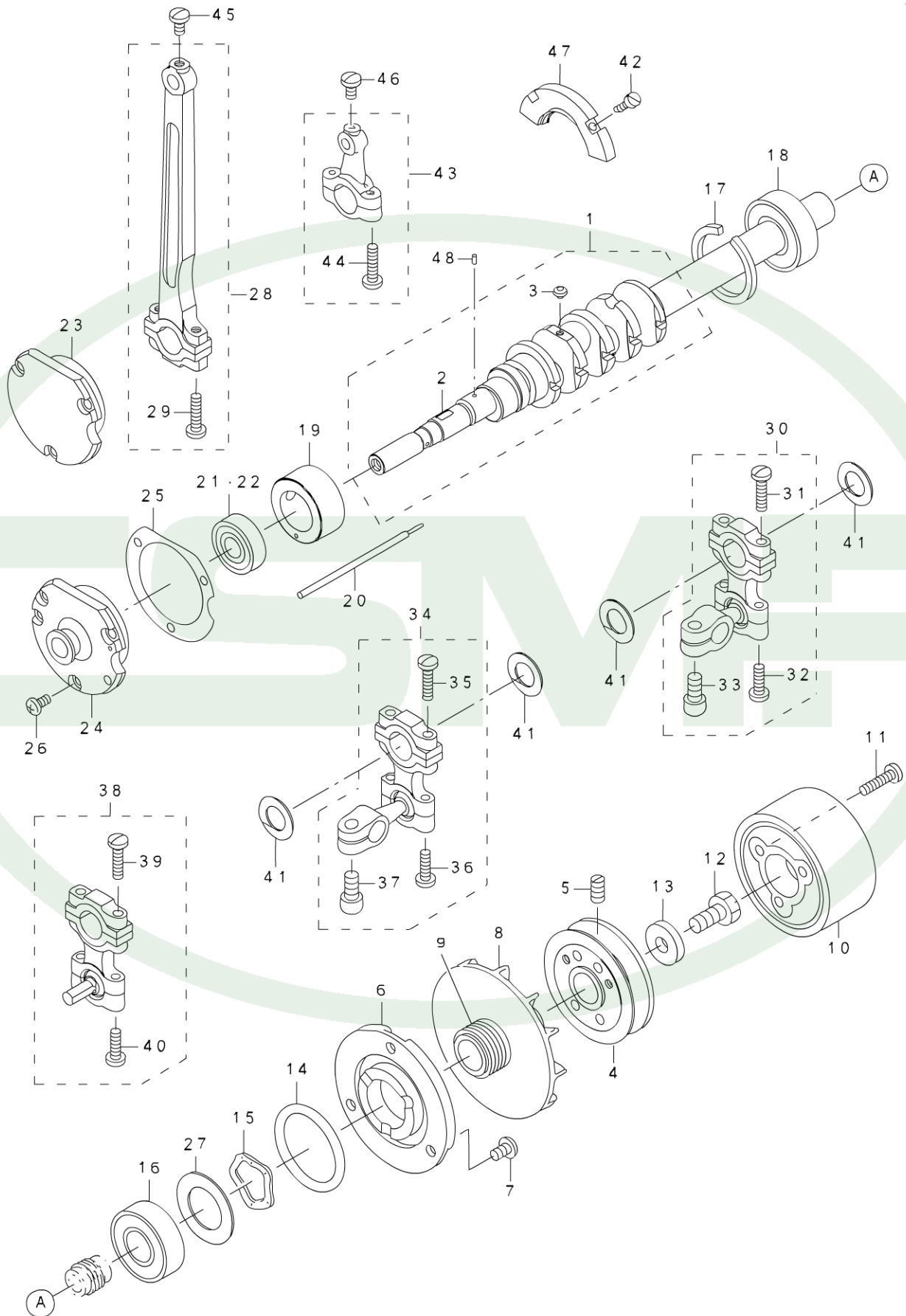
| No | note | Parts No.   | DESCRIPTION                    | Qty |
|----|------|-------------|--------------------------------|-----|
| 1  | #04  | 13104005    | CLOTH WASTE COVER              | 1   |
| 2  | #02  | 13104203    | CLOTH WASTE COVER              | 1   |
| 3  |      | 13102405    | CROTH WASTE COVER STOPPER      | 1   |
| 4  |      | SS2090520SL | SCREW 9/64-40 L=5              | 1   |
| 5  |      | NS6090310SN | NUT 9/64-40                    | 1   |
| 6  |      | SS3090610SP | SCREW 9/64-40 L=6              | 2   |
| 7  |      | 13200704    | FEED MECHANISM COVER           | 1   |
| 8  |      | 13200803    | FEED MECHANISM COVER GASKET    | 1   |
| 9  |      | SM4040855SP | SCREW                          | 4   |
| 10 |      | SM1040801SC | SCREW M4X0.7 L=8               | 1   |
| 11 |      | 12342101    | CLOTH BASE SIDE COVER          | 1   |
| 12 |      | SS4120615SP | SCREW 3/16-28 L=6              | 2   |
| 13 |      | 13103809    | CLOTH BASE COVER               | 1   |
| 14 |      | SS4091015SP | SCREW 9/64-40 L=10             | 2   |
| 15 |      | 13100904    | LOOPER COVER                   | 1   |
| 16 |      | 13100805    | LOOPER COVER BRACKET           | 1   |
| 17 |      | SM4041055SP | SCREW M4 L=10                  | 3   |
| 18 |      | 13101209    | LOOPER COVER SPRING            | 1   |
| 19 |      | 13101407    | LOOPER COVER PRESSER PLATE     | 1   |
| 20 |      | SS7090530SP | SCREW 9/64-40 L=4.5            | 1   |
| 21 |      | 13101001    | LOOPER COVER GUIDE PLATE       | 1   |
| 22 |      | SS7090610SP | SCREW 9/64-40 L=6              | 1   |
| 23 |      | SS8110410TP | SCREW 11/64-40 L=3.5           | 1   |
| 24 |      | SS8110410TP | SCREW 11/64-40 L=3.5           | 1   |
| 25 | #01  | 13101506    | CLOTH WASTE COVER LEFT         | 1   |
| 26 | #02  | 13101605    | CLOTH WASTE COVER LEFT         | 1   |
| 27 |      | SS7110510SP | SCREW 11/64-40 L=5             | 2   |
| 28 |      | 13101704    | CLOTH BASE SWITCH-TYPE STOPPER | 1   |
| 29 |      | SS7110710SP | SCREW 11/64-40 L=7             | 2   |
| 30 |      | 13101308    | LOOPER COVER PRESSER SPRING    | 1   |
| 31 |      | SM4040655SP | SCREW M4 L=6                   | 1   |
| 32 |      | 13101803    | CROTH BASE SUPPORT PLATE       | 1   |
| 33 |      | SS7091410SP | SCREW 9/64-40 L=13.5           | 1   |
| 34 |      | 13103650    | CLOTH BASE Cmpl.               | 1   |
| 35 |      | 13102058    | CLOTH BASE ASM.                | (1) |
| 36 |      | 13101902    | CLOTH BASE ECCENTRIC BUSHING   | (1) |
| 37 |      | WZ0420350KP | DISC SPRING                    | (1) |
| 38 |      | 13172903    | CLOTH BASE HINGE SHAFT COLLAR  | (1) |
| 39 |      | SM8040302TP | SETSCREW                       | (1) |
| 40 |      | CM300200001 | ATTENTION SEAL                 | 1   |
| 41 |      | 40102307    | ADJUSTING HOLE COVER           | 1   |
| 42 |      | 13201603    | ADJUSTING HOLE COVER GASKET    | 1   |
| 43 |      | SM4040855SP | SCREW                          | 4   |
| 44 |      | 13104302    | CLOTH BASE COVER RUBBER PLUG   | 1   |
| 45 |      | 13102207    | CLOTH BASE SWITCH-TYPE SPRING  | 1   |
| 46 |      | NS6110420SP | NUT 11/64-40                   | 1   |
| 47 |      | SS6111440SP | SCREW 11/64-40 L=14.0          | 1   |
| 48 | #03  | 13240007    | LOOPER COVER HINGE SHAFT A     | 1   |
| 49 | #03  | 13240106    | LOOPER COVER HINGE SHAFT B     | 1   |
| 50 | #03  | 13240205    | LOOPER COVER HINGE SHAFT C     | 1   |
| 51 | #05  | 13104104    | CLOTH WASTE COVER              | 1   |
| 52 | #06  | 40150131    | EAC MARK LABEL S               | 1   |

1...#01FOR MO-6704S/MO-6714S / 2...#02FOR MO-6716S / 3...#03SELECTIVE PARTS / 4...#04FOR MO-6704S/MO-6714S/(EXCEPT TYPE SH) / 5...#05FOR MO-6704S/MO-6714S/(FOR TYPE SH) / 6...#06FOR JE / 7... /



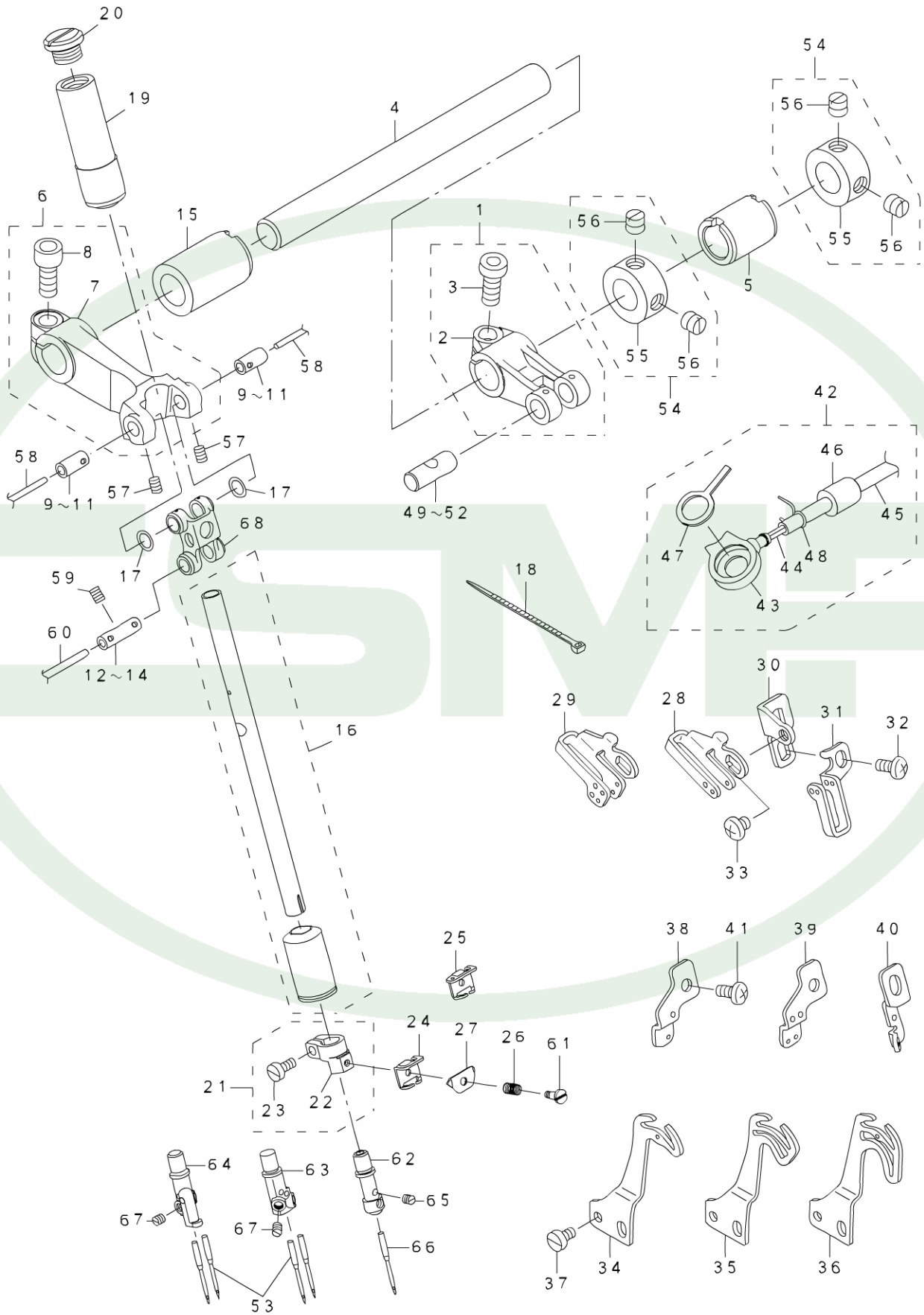
| No | note | Parts No.   | DESCRIPTION                 | Qty |
|----|------|-------------|-----------------------------|-----|
| 1  |      | 13200209    | SIDE COVER                  | 1   |
| 2  |      | 13200308    | SIDE COVER GASKET           | 1   |
| 3  |      | SM4040855SP | SCREW                       | 3   |
| 4  |      | SM1040801SC | SCREW M4X0.7 L=8            | 1   |
| 5  |      | 13200506    | UPPER COVER                 | 1   |
| 6  |      | 13200605    | UPPER COVER GASKET          | 1   |
| 7  |      | SM4051255SP | SCREW M5 L=12               | 5   |
| 8  |      | 22924708    | OIL SIGHT WINDOW            | 1   |
| 9  |      | 13170006    | RUBBER RING                 | 1   |
| 10 |      | 13104500    | OIL DRAIN SCREW             | 1   |
| 11 |      | 13170204    | RUBBER RING                 | 1   |
| 12 |      | 13201009    | COOLING FAN PLATE           | 1   |
| 13 |      | SM1040801SC | SCREW M4X0.7 L=8            | 1   |
| 14 |      | SM4040855SP | SCREW                       | 2   |
| 15 | #04  | 13201454    | BELT COVER ASM.             | 1   |
| 16 |      | 13201405    | BELT COVER                  | (1) |
| 17 |      | CM300200001 | ATTENTION SEAL              | (1) |
| 18 |      | SS4151215SP | SCREW 15/64-28 L=12         | 3   |
| 19 |      | 13102553    | OIL RESERVOIR ASM.          | 1   |
| 20 |      | 13102504    | OIL RESERVOIR               | (1) |
| 21 |      | 13170105    | RUBBER RING                 | (1) |
| 22 |      | 13171004    | DRAIN SCREW                 | (1) |
| 23 |      | 13102603    | OIL RESERVOIR GASKET        | 1   |
| 24 |      | 13103908    | SCREW STUD                  | 4   |
| 25 |      | WP0751576SD | WASHER 7.5X19X1.5           | 4   |
| 26 |      | WS0822010KP | SPRING WASHER 8.2X15X2      | 4   |
| 27 |      | NS6680410SP | NUT 9/32-28                 | 4   |
| 28 |      | 13201108    | SAFETY PLATE BRACKET        | 1   |
| 29 |      | 13104807    | SAFETY PLATE BRACKET COLLAR | 1   |
| 30 |      | WZ0850302K0 | WAVED WASHER 8.5X12.5X0.3   | 1   |
| 31 |      | SS5110710SP | SCREW 11/64-40 L=7          | 1   |
| 32 | #02  | 13201306    | SAFETY PLATE                | 1   |
| 33 | #01  | 13201207    | SAFETY PLATE                | 1   |
| 34 |      | SS7090611SL | SCREW 9/64-40 L=6.1         | 2   |
| 35 |      | 13204003    | SAFETY PLATE BUSH           | 1   |
| 36 |      | CM301300001 | SAFETY LABEL                | 1   |
| 37 |      | 22901805    | GROUND MARK                 | 1   |
| 38 |      | 13102900    | THREAD GUIDE LARGE          | 2   |
| 39 |      | 10753309    | WINDOW PLATE RUBBER PLUG    | 1   |
| 40 |      | SK3412001SE | WOOD SCREW D=4.1 L=20       | 2   |
| 41 | #01  | TA1871602R0 | RUBBER PLUG                 | 1   |
| 42 |      | TA2050805R0 | RUBBER PLUG                 | 1   |
| 43 |      | 13160700    | BELT COVER (B)              | 1   |
| 44 | #03  | CM600100101 | WEEE MARK LABEL S           | 1   |
| 45 | #04  | 40037392    | BELT COVER C                | 1   |
| 46 | #04  | 40040065    | VIBRATION PROOF RUBBER      | 1   |

1...#01FOR MO-6704S/MO-6714S / 2...#02FOR MO-6716S / 3...#03FOR JE/TURKEY / 4...#04VARIOUS NOS. FOR DESTINATIONS / 5... /



| No | note | Parts No.   | DESCRIPTION                | Qty |
|----|------|-------------|----------------------------|-----|
| 1  |      | 40023235    | MAIN SHAFT ASM.            | 1   |
| 2  |      | 40023234    | MAIN SHAFT (300)           | (1) |
| 3  |      | SS5080212TP | SCREW 1/8-44 L=2           | (5) |
| 4  |      | 13107602    | HANDWHEEL (A)              | 1   |
| 5  |      | SS8151150TP | SCREW 15/64-28 L=10.5      | 2   |
| 6  |      | 13107800    | THRUST COLLAR              | 1   |
| 7  |      | SM4050855SP | SCREW M5 L=8               | 3   |
| 8  |      | 13108402    | COOLING FAN                | 1   |
| 9  |      | 13108501    | CRANKSHFT OIL SHIELD       | 1   |
| 10 |      | 13107701    | HANDWHEEL                  | 1   |
| 11 |      | SS7111810TP | SCREW 11/64-40 L=18        | 3   |
| 12 |      | SS9681610TP | SCREW 9/32-28 L=16         | 1   |
| 13 |      | WP0764016SP | WASHER                     | 1   |
| 14 |      | 13170303    | RUBBER RING                | 1   |
| 15 |      | WZ2640310KH | WAVED WASHER 26.4X33.9X3.5 | 1   |
| 16 |      | B1211804000 | BALL BEARING B             | 1   |
| 17 |      | B1212704000 | BEARING RETAINER           | 1   |
| 18 |      | B1211804000 | BALL BEARING B             | 1   |
| 19 |      | 13205406    | CRANKSHAFT BUSHING C       | 1   |
| 20 |      | 13104906    | OIL ADJUSTING BAR          | 1   |
| 21 | #01  | B1215804000 | BALL BEARING D             | 1   |
| 22 | #02  | SB110000300 | BALL BEARING               | 1   |
| 23 | #01  | 13108006    | CRANKSHAFT BUSHING D       | 1   |
| 24 | #02  | 13108105    | CRANKSHAFT BUSHING D       | 1   |
| 25 |      | 13108204    | CRANKSHAFT BUSHING GASKET  | 1   |
| 26 |      | SM4040855SP | SCREW                      | 3   |
| 27 |      | 13108303    | BEARING HOLDING PLATE      | 1   |
| 28 |      | 12109153    | CONNECTING ROD ASM.        | 1   |
| 29 |      | SS7111810TP | SCREW 11/64-40 L=18        | (2) |
| 30 |      | 12122362    | UPPER LOOPER ROD ASM.      | 1   |
| 31 |      | SS7111810TP | SCREW 11/64-40 L=18        | (2) |
| 32 |      | SS7111410TP | SCREW 11/64-40 L=14        | (2) |
| 33 |      | SM6061202TP | SCREW M6 L=12              | (1) |
| 34 | #01  | 12123360    | LOWER LOOPER ROD ASM. A    | 1   |
| 35 |      | SS7111810TP | SCREW 11/64-40 L=18        | (2) |
| 36 |      | SS7111410TP | SCREW 11/64-40 L=14        | (2) |
| 37 |      | SM6061202TP | SCREW M6 L=12              | (1) |
| 38 | #02  | 12120150    | LOWER LOOPER ROD ASM. B    | 1   |
| 39 |      | SS7111810TP | SCREW 11/64-40 L=18        | (2) |
| 40 |      | SS7111410TP | SCREW 11/64-40 L=14        | (2) |
| 41 |      | 40017824    | LOOPER LOD STOPPER         | 4   |
| 42 |      | SS6081210TP | SCREW 1/8-44 L=12          | 2   |
| 43 |      | 12132155    | KNIFE DRIVING ROD ASM.     | 1   |
| 44 |      | SS7111810TP | SCREW 11/64-40 L=18        | (2) |
| 45 |      | SS7110840SP | SCREW 11/64-40 L=7.8       | 1   |
| 46 |      | SS7110840SP | SCREW 11/64-40 L=7.8       | 1   |
| 47 |      | 40017714    | BALANCER                   | 1   |
| 48 |      | 40035711    | OIL WICK                   | 1   |

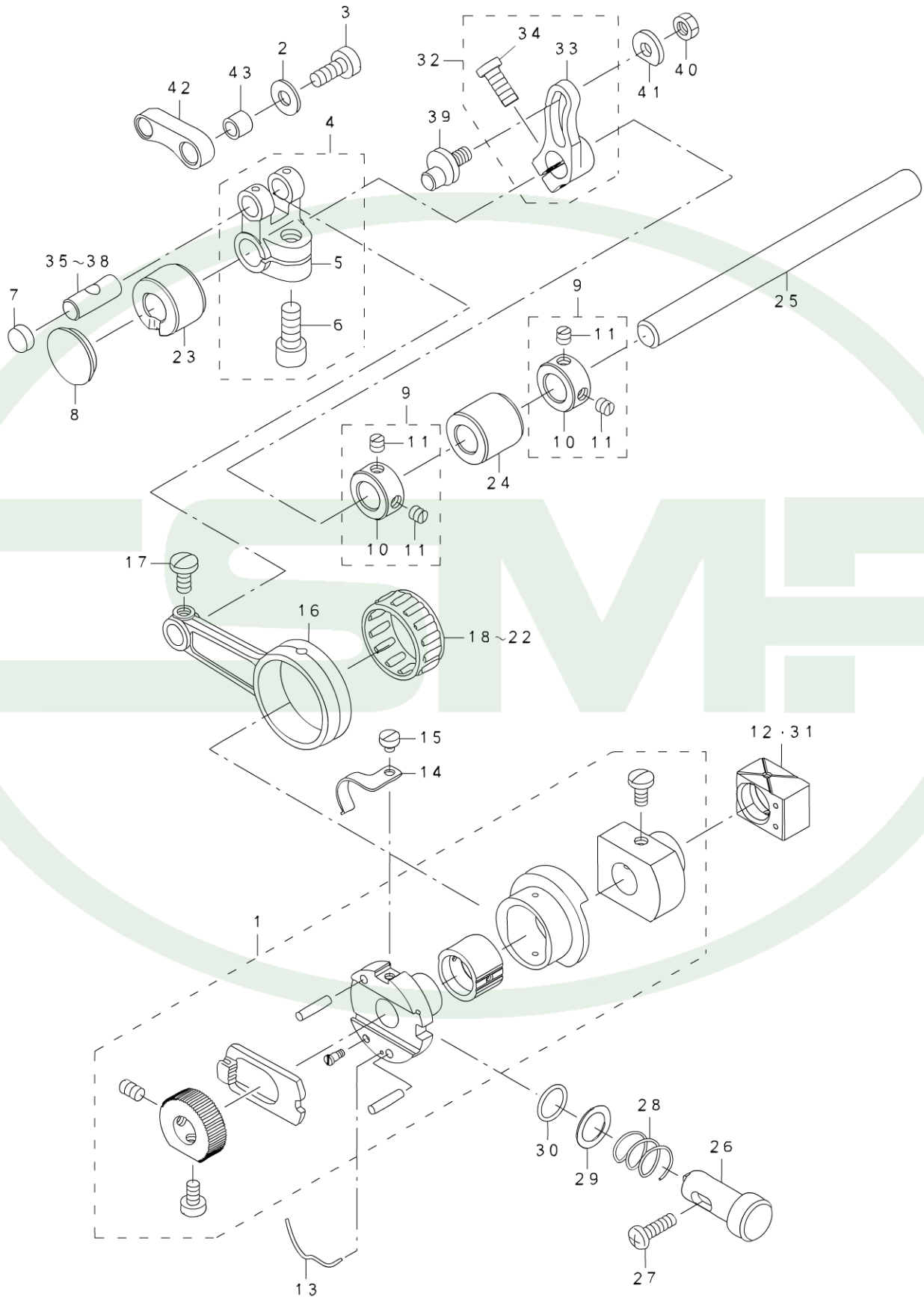
1...#01FOR MO-6704S/MO-6714S / 2...#02FOR MO-6716S / 3... / 4...  
 / 5...FOR NO.28 / 6...NO. 28, 30, 34, 38, 43は、セットのみの注文になります。 / 7... /



| No | note | Parts No.   | DESCRIPTION                    | Qty    |
|----|------|-------------|--------------------------------|--------|
| 1  |      | 13110556    | FEED FORKED CRANK ASM.         | 1      |
| 2  |      | 13110507    | NEEDLE DRIVING BRANCH CRANK    | (1)    |
| 3  |      | SM6061402TP | SCREW M6 L=14                  | (1)    |
| 4  |      | 13110606    | NEEDLE DRIVING SHAFT           | 1      |
| 5  |      | 13110101    | BUSHING REAR                   | 1      |
| 6  |      | 13209853    | NEEDLE DRIVING ARM ASM.        | 1      |
| 7  |      | 13209804    | NEEDLE DRIVING ARM             | (1)    |
| 8  |      | SM6061402TP | SCREW M6 L=14                  | (1)    |
| 9  | #07  | 13209101    | NEEDLE DRIVING ARM PIN A       | 2      |
| 10 | #07  | 13209200    | NEEDLE DRIVING ARM PIN B       | 2      |
| 11 | #07  | 13209309    | NEEDLE DRIVING ARM PIN C       | 2      |
| 12 | #07  | 13209408    | NEEDLE DRIVING PIN A           | 1      |
| 13 | #07  | 13209507    | NEEDLE DRIVING PIN B           | 1      |
| 14 | #07  | 13209606    | NEEDLE DRIVING PIN C           | 1      |
| 15 |      | 13110002    | BUSHING REAR                   | 1      |
| 16 |      | 13208350    | NEEDLE ROD (A) ASM.            | 1      |
| 17 |      | 13208103    | NEEDLE DRIVING LINK WASHER     | 2      |
| 18 |      | EA9500B0100 | CABLE BAND                     | 1      |
| 19 |      | 13209705    | NEEDLE ROD BUSHING UPPER       | 1      |
| 20 |      | 13207808    | NEEDLE ROD BUSHING CAP SCREW   | 1      |
| 21 |      | 13110259    | NEEDLE CLAMP HOLDER ASM.       | 1      |
| 22 |      | 13110200    | NEEDLE CLAMP HOLDER            | (1)    |
| 23 |      | SS6080720SP | SCREW 1/8-44 L=7               | (1)    |
| 24 | #01  | 13110705    | NEEDLE THREAD PRESSER GUIDE A  | 1      |
| 25 | #02  | 13110804    | NEEDLE THREAD PRESSER GUIDE B  | 1      |
| 26 |      | 13110903    | NEEDLE THREAD PRESSER SPRING   | 1      |
| 27 |      | 13111000    | NEEDLE THREAD PRESSER PLATE A  | 1      |
| 28 | #03  | 13208806    | NEEDLE THREAD GUIDE            | 1      |
| 29 | #04  | 13208905    | THREAD GUIDE 2-NEEDLE          | 1      |
| 30 |      | 13208707    | NEEDLE THREAD GUIDE BASE       | 1      |
| 31 | #02  | 13111109    | THREAD GUIDE CHAIN LOOPER      | 1      |
| 32 |      | SM4040855SP | SCREW                          | 2      |
| 33 |      | SS4110515SP | SCREW 11/64-40 L=5             | 1      |
| 34 | #05  | 13111208    | NEEDLE THREAD TAKE-UP LEVER    | 1      |
| 35 | #04  | 13111307    | TAKE-UP LEVER 2-NEEDLE         | 1      |
| 36 | #02  | 13111406    | TAKE-UP LEVER CHAIN LOOP       | 1      |
| 37 |      | SS6090670TP | SCREW 9/64-40 L=6              | 2      |
| 38 | #03  | 13111505    | NEEDLE THREAD BALANCE GUIDE    | 1      |
| 39 | #04  | 13111604    | TAKE-UP LEVER GUIDE 2-NEEDLE   | 1      |
| 40 | #02  | 13111703    | TAKE-UP LEVER GUIDE CHAIN LOOP | 1      |
| 41 |      | SM4040855SP | SCREW                          | 1      |
| 42 |      | 13208459    | ONCE THROUGH OIL PIPE ASM.     | 1      |
| 43 |      | 13208509    | ONCE THROUGH OIL COVER         | (1)    |
| 44 |      | CQ200000000 | OIL WICK                       | (0.8)  |
| 45 |      | 23630007    | TUBE                           | (0.39) |
| 46 |      | 13244009    | ONCE THROUGH OIL PIPE BUSHING  | (1)    |
| 47 |      | 13208608    | ONCE THROUGH OIL FELT          | (1)    |
| 48 |      | 13142609    | PIPE CLAMP                     | (1)    |
| 49 | #07  | 13122007    | FEED BRANCH CRANK PIN A        | 1      |
| 50 | #07  | 13122106    | FEED BRANCH CRANK PIN B        | 1      |
| 51 | #07  | 13122205    | FEED BRANCH CRANK PIN C        | 1      |
| 52 | #07  | 13122304    | FEED BRANCH CRANK PIN D        | 1      |
| 53 | #06  | MDC270B1100 | NEEDLE DCX27 #11               | 2      |
| 54 |      | 13172754    | THRUST COLLAR ASM.             | 2      |
| 55 |      | 13172705    | THRUST COLLAR                  | (1)    |
| 56 |      | SS8660610TP | SCREW 1/4-40 L=6               | (2)    |
| 57 |      | SS8090530TP | SCREW 9/64-40 L=5.0            | 2      |
| 58 |      | CQ202000000 | OIL WICK                       | 0.09   |
| 59 |      | SS8090530TP | SCREW 9/64-40 L=5.0            | 1      |
| 60 |      | CQ252000000 | OIL WICK                       | 0.04   |
| 61 |      | SD0280401SL | HINGE SCREW D=2.8 H=4          | 1      |
| 62 | #05  | 13175005    | NEEDLE CLAMP 1-NEEDLE          | 1      |
| 63 | #04  | 13175203    | NEEDLE CLAMP 2-NEEDLE          | 1      |
| 64 | #02  | 12257002    | CHAIN LOOPER NEEDLE CLAMP DEA  | 1      |
| 65 | #05  | SS8080310TP | SCREW 1/8-44 L=2.8             | 1      |
| 66 | #05  | MDC270B1100 | NEEDLE DCX27 #11               | 1      |
| 67 | #06  | SS8080310TP | SCREW 1/8-44 L=2.8             | 2      |
| 68 |      | 13208004    | NEEDLE DRIVING LINK            | 1      |

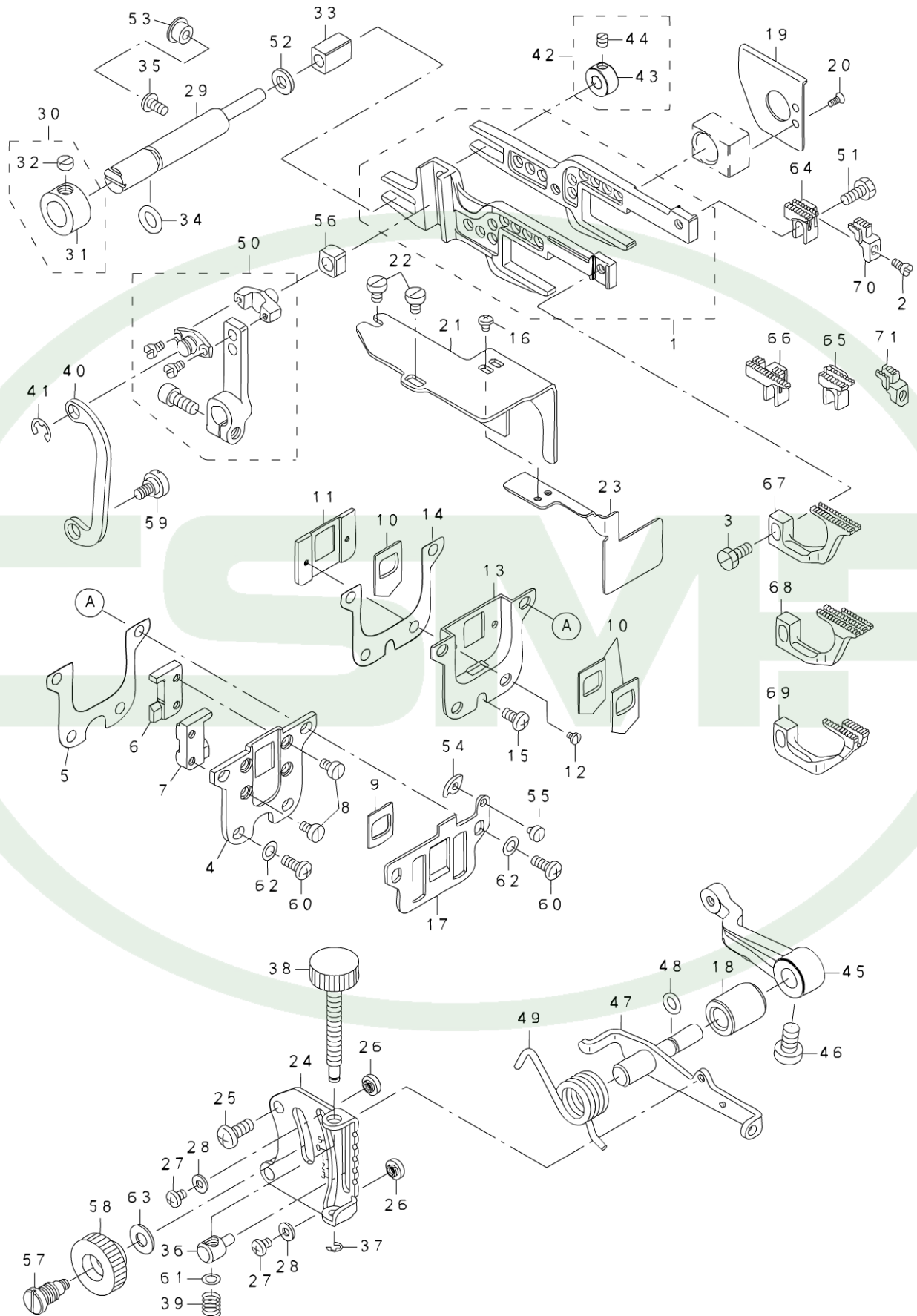
1...#01FOR MO-6704S/MO-6714S / 2...#02FOR MO-6716S / 3...#03FOR MO-6704S/MO-6716S / 4...#04FOR MO-6714S / 5...#05FOR MO-6704S / 6...#06FOR MO-6714S/MO-6716S / 7...#07SELECTIVE PARTS / 8... / 9... / 10...FOR NO.16 / 11...N.O. 16は、セットのみの注文になります。 / 12... /





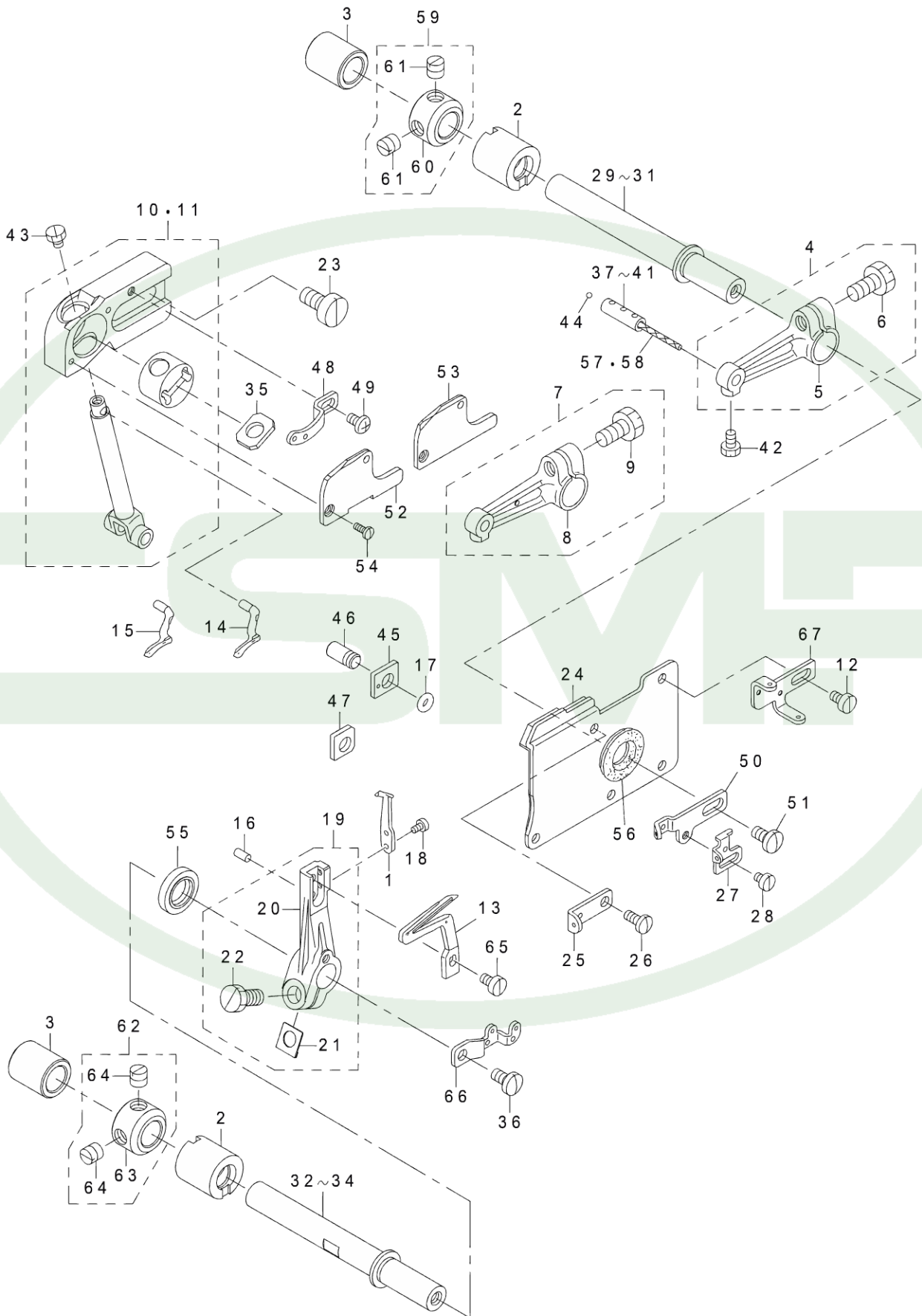
| No | note | Parts No.   | DESCRIPTION                   | Qty |
|----|------|-------------|-------------------------------|-----|
| 1  |      | 13118054    | FEED ECCENTRIC BODY ASM.      | 1   |
| 2  |      | 13120605    | WASHER                        | 1   |
| 3  |      | SS6121220TP | SCREW 3/16-28 L=11.5          | 1   |
| 4  |      | 13122452    | FEED BRANCH CRANK ASM.        | 1   |
| 5  |      | 13122403    | FEED BRANCH CRANK             | (1) |
| 6  |      | SM6061402TP | SCREW M6 L=14                 | (1) |
| 7  |      | TA1030402R0 | RUBBER PLUG D=10.3 L=4        | 1   |
| 8  |      | TA2050416R0 | RUBBER PLUG                   | 1   |
| 9  |      | 13172556    | FEED SHAFT THRUST COLLAR ASM. | 2   |
| 10 |      | 13172507    | FEED SHAFT THRUST COLLAR      | (1) |
| 11 |      | SS8110410TP | SCREW 11/64-40 L=3.5          | (2) |
| 12 | #01  | 13217807    | SLIDE BLOCK A                 | 1   |
| 13 |      | 13122502    | RATCHET PAWL SPRING           | 1   |
| 14 |      | 13119300    | RATCHET GEAR SPRING           | 1   |
| 15 |      | SS6080320SP | SCREW 1/8-44 L=2.5            | 1   |
| 16 |      | 13118708    | FEED CRANK ROD                | 1   |
| 17 |      | SS7110910TP | SCREW 11/64-40 L=8.5          | 1   |
| 18 | #01  | 12116604    | NEEDLE BEARING                | 1   |
| 19 | #01  | 12116703    | NEEDLE BEARING B              | 1   |
| 20 | #01  | 12116802    | NEEDLE BEARING C              | 1   |
| 21 | #01  | 12116901    | NEEDLE BEARING D              | 1   |
| 22 | #01  | 12117008    | NEEDLE BEARING E              | 1   |
| 23 |      | 13119409    | FEED SHAFT METAL FRONT        | 1   |
| 24 |      | 13119508    | FEED SHAFT METAL REAR         | 1   |
| 25 |      | 13119607    | FEED SHAFT                    | 1   |
| 26 |      | 13216809    | PUSH BUTTON SHAFT             | 1   |
| 27 |      | SM4041455SN | SCREW M4 L=14                 | 1   |
| 28 |      | 13216601    | PUSH BUTTON SPRING            | 1   |
| 29 |      | 13216700    | PUSH BUTTON SHAFT WASHER      | 1   |
| 30 |      | 13244108    | RUBBER RING                   | 1   |
| 31 | #01  | 13217906    | SLIDE BLOCK B                 | 1   |
| 32 |      | 13119953    | MAIN FEED ARM ASM.            | 1   |
| 33 |      | 13119904    | MAIN FEED ARM                 | (1) |
| 34 |      | SM6051202TP | SCREW M5X0.8 L=12             | (1) |
| 35 | #01  | 13122007    | CRANK PIN A                   | 1   |
| 36 | #01  | 13122106    | CRANK PIN B                   | 1   |
| 37 | #01  | 13122205    | CRANK PIN C                   | 1   |
| 38 | #01  | 13122304    | CRANK PIN D                   | 1   |
| 39 |      | 13119706    | MAIN FEED ARM PIN             | 1   |
| 40 |      | NS6620320SP | NUT 3/16-32                   | 1   |
| 41 |      | 13120001    | WASHER B                      | 1   |
| 42 |      | 13119805    | MAIN FEED LINK                | 1   |
| 43 |      | B1620804000 | PIN COLLAR                    | 1   |

1...#01SELECTIVE PARTS / 2... / 3...  
 / 4...FOR NO.1 / 5...N O . 1は、セットのみの注文になります。 / 6... /



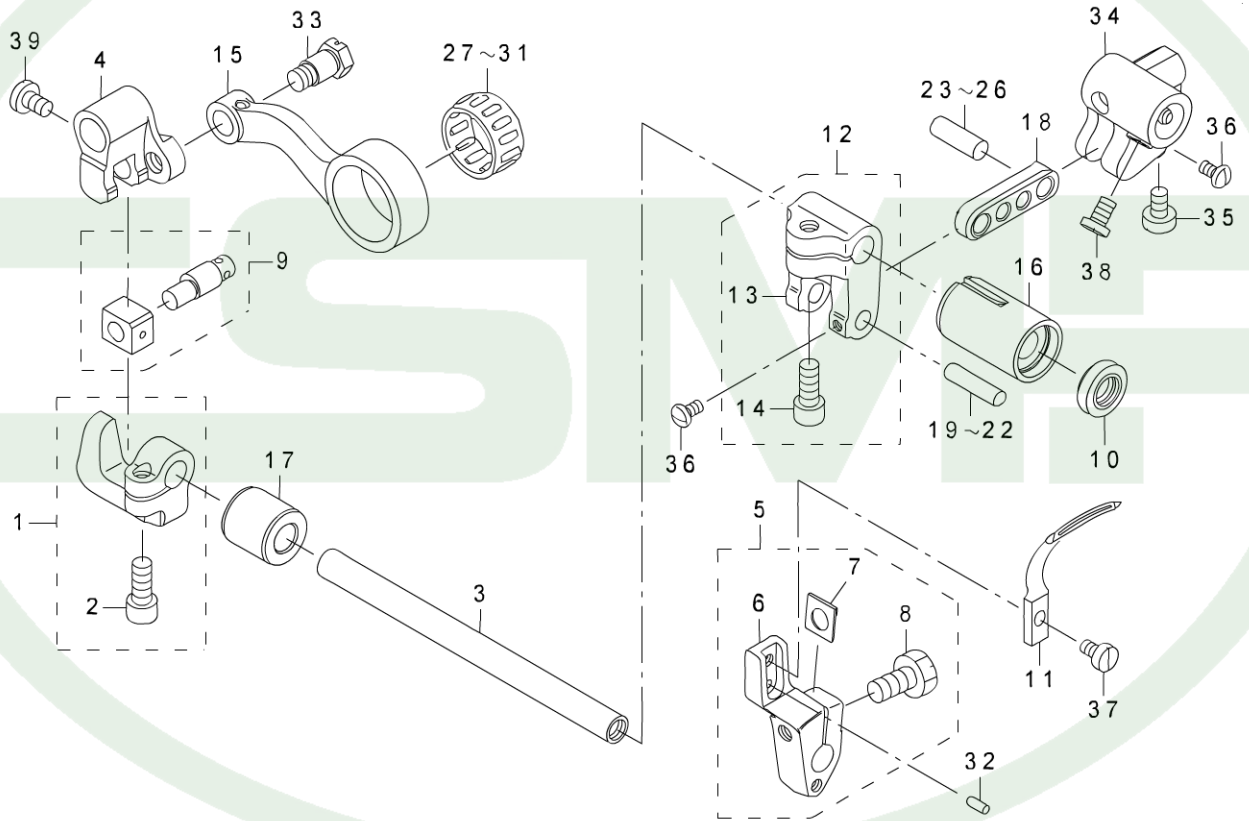
| No | note | Parts No.   | DESCRIPTION                    | Qty |
|----|------|-------------|--------------------------------|-----|
| 1  |      | 13215157    | FEED ROCKER ASM.               | 1   |
| 2  |      | SS4080620TP | SCREW 1/8-44 L=6               | 1   |
| 3  |      | SS9111010SP | SCREW 11/64-40 L=9.5           | 1   |
| 4  |      | 13215306    | RUBBER CASE                    | 1   |
| 5  |      | 13215405    | RUBBER CASE GASKET             | 1   |
| 6  |      | 13215504    | FEED BAR SUPPORT RIGHT         | 1   |
| 7  |      | 13215603    | FEED BAR SUPPORT LEFT          | 1   |
| 8  |      | SS6090620TP | SCREW                          | 4   |
| 9  |      | 12118303    | DUST-PROOF RUBBER              | 1   |
| 10 |      | 70004244    | OIL SHIELD RUBBER              | 3   |
| 11 |      | 13215702    | RUBBER HOLDING PLATE           | 1   |
| 12 |      | SS7060310SP | SCREW 3/32-56 L=3              | 2   |
| 13 |      | 13215900    | OIL SHIELD CASE                | 1   |
| 14 |      | 13216007    | OIL SHIELD CASE GASKET         | 1   |
| 15 |      | SM4040855SP | SCREW                          | 1   |
| 16 |      | SM4030455SP | SCREW                          | 2   |
| 17 |      | 13215801    | THROAT PLATE SUPPORT           | 1   |
| 18 |      | 13122700    | ADJUSTING SHAFT METAL          | 1   |
| 19 |      | 13216106    | OIL SHIECD PLATE               | 1   |
| 20 |      | SS1060610SP | SCREW 3/32-56 L=5.5            | 2   |
| 21 |      | 13216205    | FEED CAM OIL SHIECD PLATE      | 1   |
| 22 |      | SM6040600SP | SCREW M4 L=6                   | 2   |
| 23 |      | 13216304    | OIL SHIECD PLATE               | 1   |
| 24 |      | 13122809    | DIFFERENTIAL FEED GRADUATION   | 1   |
| 25 |      | SM4051255SP | SCREW M5 L=12                  | 2   |
| 26 |      | 13121405    | ADJUSTING STOPPER              | 2   |
| 27 |      | SS4090515SP | SCREW 9/64-40 L=5              | 2   |
| 28 |      | WP0371016SD | WASHER 3.7X8X1                 | 2   |
| 29 |      | 13120902    | SUPPORT SHAFT                  | 1   |
| 30 |      | 13121058    | HRUST COLLAR ASM.              | 1   |
| 31 |      | 13121009    | HRUST COLLAR                   | (1) |
| 32 |      | SS8660330SP | SCREW 1/4-40 L=3.0             | (1) |
| 33 |      | 13120803    | SLIDE BLOCK                    | 1   |
| 34 |      | 13170204    | RUBBER RING                    | 1   |
| 35 |      | SM4040855SP | SCREW                          | 1   |
| 36 |      | 13217708    | DIFFERENTIAL FEED BLOCK        | 1   |
| 37 |      | RE0300000K0 | E-RING 3                       | 1   |
| 38 |      | 13213012    | ADJUSTING SCREW                | 1   |
| 39 |      | 13123302    | DIFFERENTIAL FEED SCREW SPRING | 1   |
| 40 |      | 13121306    | ADJUSTING LINK                 | 1   |
| 41 |      | RE0500000K0 | E-RING 5                       | 1   |
| 42 |      | 13121256    | SUPPORT SHAFT COLLAR ASM.      | 1   |
| 43 |      | 13121207    | SUPPORT SHAFT COLLAR           | (1) |
| 44 |      | SS8110410TP | SCREW 11/64-40 L=3.5           | (1) |
| 45 |      | 13121900    | DIFFERENTIAL FEED ROCKER       | 1   |
| 46 |      | SS6661110SP | SCREW 1/4-40 L=11              | 1   |
| 47 |      | 13217351    | ROCKER SHAFT ASM.              | 1   |
| 48 |      | 13170501    | RUBBER RING                    | 1   |
| 49 |      | 13121603    | ADJUSTING LEVER SPRING         | 1   |
| 50 |      | 13218052    | DIFFERENTIAL FEED ARM ASM.     | 1   |
| 51 |      | SS9111050SP | SCREW 11/64-40 L=9.5           | 1   |
| 52 |      | 13121108    | WASHER                         | 1   |
| 53 |      | TA0800504R0 | PLUG D=8 L=4.5                 | 1   |
| 54 |      | 13200902    | FEED MECHANISM COVER PRESSER   | 1   |
| 55 |      | SS6080340SP | SCREW 1/8-44 L=2.9             | 1   |
| 56 |      | 13218102    | SLIDE BLOCK                    | 1   |
| 57 |      | 13217401    | DIFFERENTIAL FEED HINGE SCREW  | 1   |
| 58 |      | 13217500    | DIFFERENTIAL FEED LOCK NUT     | 1   |
| 59 |      | SD0720271SP | HINGE SCREW D=7.2 H=2.7        | 1   |
| 60 |      | SM4041055SP | SCREW M4 L=10                  | 4   |
| 61 |      | WP0460556SD | WASHER 4.6X7.5X0.5             | 1   |
| 62 |      | WP0480856SP | WASHER 4.8X8.4X0.8             | 4   |
| 63 |      | WP0621016SD | WASHER 6.2X13X1                | 1   |
| 64 | #03  | 13191606    | MAIN FEED DOG                  | 1   |
| 65 | #04  | 13192000    | MAIN FEED DOG                  | 1   |
| 66 | #02  | 13192406    | MAIN FEED DOG                  | 1   |
| 67 | #03  | 13192802    | DIFFERENTIAL FEED DOG          | 1   |
| 68 | #04  | 13193206    | DIFFERENTIAL FEED DOG          | 1   |
| 69 | #02  | 13193602    | DIFFERENTIAL FEED DOG          | 1   |
| 70 | #01  | 13191309    | AUXILIARY FEED DOG             | 1   |
| 71 | #02  | 13191408    | AUXILIARY FEED DOG             | 1   |

1...#01FOR MO-6704S/MO-6714S / 2...#02FOR MO-6716S / 3...#03FOR MO-6704S / 4...#04FOR MO-6714S / 5... / 6... / 7...FOR NO.1 / 8...N.O. 1, 5 0は、セットのみの注文になります。 / 9... /



| No | note | Parts No.   | DESCRIPTION                     | Qty  |
|----|------|-------------|---------------------------------|------|
| 1  |      | 11890001    | TRAVELING NEEDLE GUARD          | 1    |
| 2  |      | 13222609    | LOOPER SHAFT FRONT BUSHING      | 2    |
| 3  |      | 13222708    | LOOPER SHAFT REAR BUSHING       | 2    |
| 4  | #01  | 13131057    | UPPER LOOPER ARM A ASM.         | 1    |
| 5  |      | 13131008    | UPPER LOOPER ARM A              | (1)  |
| 6  |      | SS9151210TP | SCREW 15/64-28 L=11.8           | (1)  |
| 7  | #02  | 13131156    | UPPER LOOPER ARM B ASM.         | 1    |
| 8  |      | 13131107    | UPPER LOOPER ARM B              | (1)  |
| 9  |      | SS9151210TP | SCREW 15/64-28 L=11.8           | (1)  |
| 10 | #01  | 40015637    | GUIDE SUPPORT ASM.              | 1    |
| 11 | #02  | 40016841    | GUIDE SUPPORT B ASM             | 1    |
| 12 |      | SS6090630TP | SCREW 9/64-40 L=6               | 3    |
| 13 |      | 11999307    | LOWER LOOPER                    | 1    |
| 14 | #01  | 11888104    | UPPER LOOPER                    | 1    |
| 15 | #02  | 12176004    | UPPER LOOPER                    | 1    |
| 16 |      | PS0300062KH | SPRING PIN 3X6                  | 1    |
| 17 |      | 13170600    | RUBBER RING                     | 1    |
| 18 |      | SS6060440TP | SCREW 3/32-56 L=3.5             | 2    |
| 19 |      | 13132550    | LOWER LOOPER SUPPORT ARM ASM.   | 1    |
| 20 |      | 13132501    | LOWER LOOPER SUPPORT ARM        | (1)  |
| 21 |      | 13129309    | WASHER                          | (1)  |
| 22 |      | SS9151210TP | SCREW 15/64-28 L=11.8           | (1)  |
| 23 |      | SM6061200SP | SCREW M6 L=12                   | 2    |
| 24 |      | 13133053    | OIL SHIELD PLATE ASM.           | 1    |
| 25 |      | 12340600    | UPPER LOOPER THREAD GUIDE       | 1    |
| 26 |      | SS7090850SP | SCREW 9/64-40 L=8               | 1    |
| 27 |      | 12340709    | LOWER LOOPER THREAD TAKE-UP     | 1    |
| 28 |      | SS6080410SP | SCREW 1/8-44 L=4                | 1    |
| 29 | #03  | 13221403    | UPPER LOOPER GUIDE A            | 1    |
| 30 | #03  | 13221502    | UPPER LOOPER GUIDE B            | 1    |
| 31 | #03  | 13221601    | UPPER LOOPER GUIDE C            | 1    |
| 32 | #03  | 13221700    | UPPER LOOPER GUIDE A            | 1    |
| 33 | #03  | 13221809    | UPPER LOOPER GUIDE B            | 1    |
| 34 | #03  | 13221908    | UPPER LOOPER GUIDE C            | 1    |
| 35 |      | 40011234    | DUST SEALING FELT               | 1    |
| 36 |      | SS7110840SP | SCREW 11/64-40 L=7.8            | 1    |
| 37 | #03  | 13131206    | UPPER LOOPER HOLDER PIN A       | 1    |
| 38 | #03  | 13131305    | UPPER LOOPER HOLDER PIN B       | 1    |
| 39 | #03  | 13131404    | UPPER LOOPER HOLDER PIN C       | 1    |
| 40 | #03  | 13131503    | UPPER LOOPER HOLDER PIN D       | 1    |
| 41 | #03  | 13131602    | UPPER LOOPER HOLDER PIN E       | 1    |
| 42 |      | SS9090610TP | SCREW 9/64-40 L=5.5             | 1    |
| 43 |      | SS9090410TP | SCREW                           | 1    |
| 44 |      | 13131701    | OIL WICK STOPPER BALL           | 1    |
| 45 | #04  | 13131909    | GUIDE SUPPORT GAUGE             | 1    |
| 46 |      | 13131800    | GAUGE FIXING PIN                | 1    |
| 47 | #05  | 13132006    | GUIDE SUPPORT GAUGE             | 1    |
| 48 |      | 12340501    | THREAD GUIDE UPPER              | 1    |
| 49 |      | SS4090615SP | SCREW 9/64-40 L=6               | 1    |
| 50 |      | 12340402    | THREAD TAKE-UP RIGHT            | 1    |
| 51 |      | SS7110840SP | SCREW 11/64-40 L=7.8            | 1    |
| 52 | #01  | 13222203    | UPPER LOOPER GAUGE COVER        | 1    |
| 53 | #02  | 13222302    | UPPER LOOPER GAUGE COVER B      | 1    |
| 54 |      | SS7060610SP | SCREW 3/32-56 L=5.5             | 2    |
| 55 |      | 40010804    | OIL SEAL RING                   | 1    |
| 56 |      | 13132709    | UPPER LOOPER SHAFT RUBBER RING  | 1    |
| 57 |      | CQ200000000 | OIL WICK                        | 0.04 |
| 58 |      | CQ202000000 | OIL WICK                        | 0.04 |
| 59 | #04  | CS1031210SH | THRUST COLLAR ASM. D=10.32 W=12 | 2    |
| 60 |      | CS1031219SH | THRUST COLLAR D=10.32 W=12      | (1)  |
| 61 |      | SS8660610TP | SCREW 1/4-40 L=6                | (2)  |
| 62 | #05  | CS1031210SH | THRUST COLLAR ASM. D=10.32 W=12 | 1    |
| 63 |      | CS1031219SH | THRUST COLLAR D=10.32 W=12      | (1)  |
| 64 |      | SS8660610TP | SCREW 1/4-40 L=6                | (2)  |
| 65 |      | SS6090620TP | SCREW                           | 1    |
| 66 |      | 12340907    | LOWER THREAD TAKE-UP LEFT       | 1    |
| 67 |      | 40099082    | LOOPER THREAD GUIDE             | 1    |

1...#01FOR MO-6704S/MO-6716S / 2...#02FOR MO-6714S / 3...#03SELECTIVE PARTS / 4...#04FOR MO-6704S/MO-6714S / 5...#05FOR MO-6716S / 6... / 7... / 8...FOR NO.10 / 9...N.O. 10, 11は、セットのみの注文になります。 / 10... /

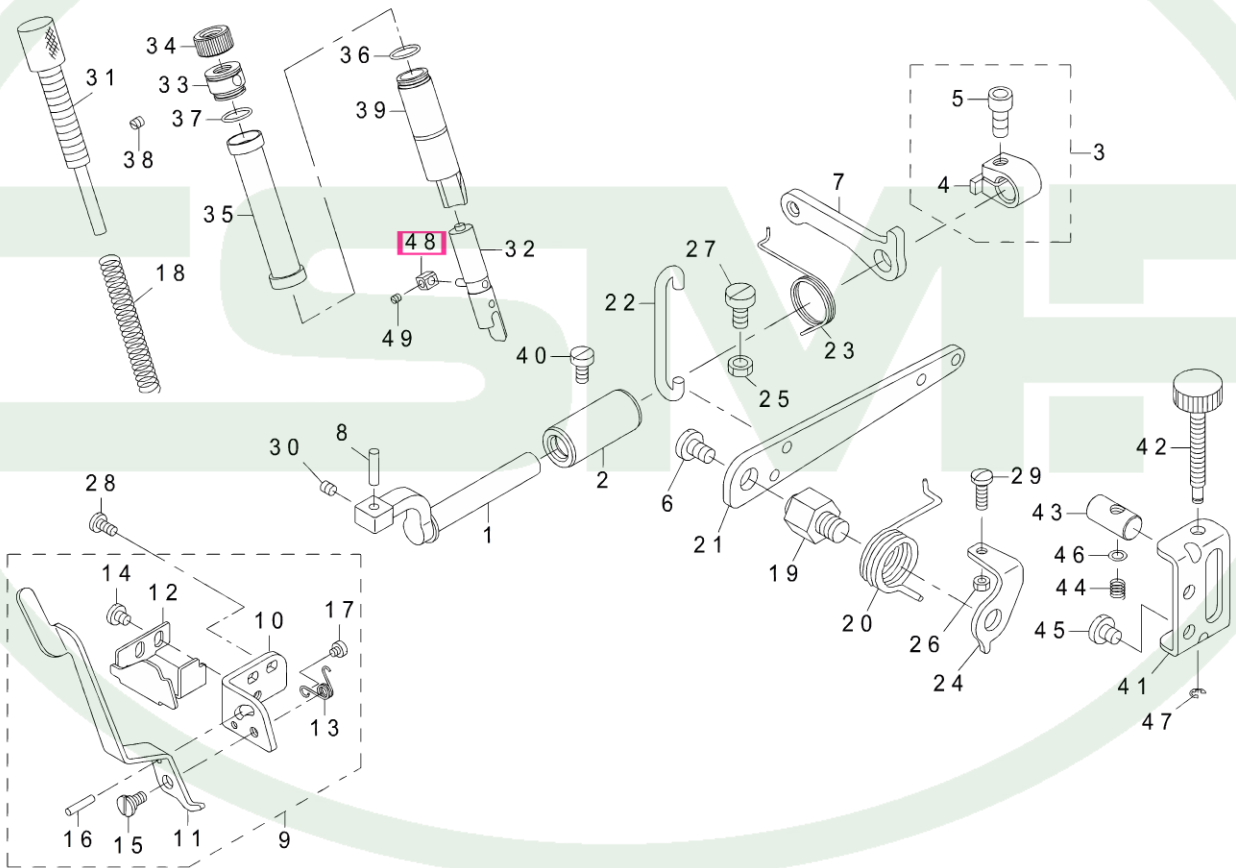


| No | note | Parts No.   | DESCRIPTION                   | Qty |
|----|------|-------------|-------------------------------|-----|
| 1  |      | 13129853    | BRACKET                       | 1   |
| 2  |      | SM6051202TP | SCREW M5X0.8 L=12             | (1) |
| 3  |      | 13126909    | CHAIN LOOPER SHAFT            | 1   |
| 4  |      | 13126008    | FRONT-AND-REAR ARM            | 1   |
| 5  |      | 13129952    | CHAIN LOOPER DRIVING ARM ASM. | 1   |
| 6  |      | 13129903    | CHAIN LOOPER DRIVING ARM      | (1) |
| 7  |      | 13129309    | WASHER                        | (1) |
| 8  |      | SS9151210TP | SCREW 15/64-28 L=11.8         | (1) |
| 9  |      | 13126354    | SLIDE BLOCK PIN ASM.          | 1   |
| 10 |      | 40010805    | OIL SEAL RING                 | 1   |
| 11 |      | 12120705    | CHAIN LOOPER                  | 1   |
| 12 |      | 13125950    | CHAIN LOOPER DRIVING ARM ASM. | 1   |
| 13 |      | 13125901    | CHAIN LOOPER DRIVING ARM      | (1) |
| 14 |      | SM6051202TP | SCREW M5X0.8 L=12             | (1) |
| 15 |      | 13220009    | CHAIN LOOPER ROD              | 1   |
| 16 |      | 13128103    | BUSHING FORNT                 | 1   |
| 17 |      | 13127006    | BUSHING REAR                  | 1   |
| 18 |      | 13127105    | CHAIN LOOPER SHAFT DRIV. LINK | 1   |
| 19 | #01  | 13126503    | PIN LONG A                    | 1   |
| 20 | #01  | 13126602    | PIN LONG B                    | 1   |
| 21 | #01  | 13126701    | PIN LONG C                    | 1   |
| 22 | #01  | 13126800    | PIN LONG D                    | 1   |
| 23 | #01  | 13127204    | PIN SHORT A                   | 1   |
| 24 | #01  | 13127303    | PIN SHORT B                   | 1   |
| 25 | #01  | 13127402    | PIN SHORT C                   | 1   |
| 26 | #01  | 13127501    | PIN SHORT D                   | 1   |
| 27 | #01  | B2119816A00 | BEARING A                     | 1   |
| 28 | #01  | B2119816B00 | BEARING B                     | 1   |
| 29 | #01  | B2119816C00 | BEARING C                     | 1   |
| 30 | #01  | B2119816D00 | BEARING D                     | 1   |
| 31 | #01  | B2119816E00 | BEARING E                     | 1   |
| 32 |      | PS0250062KH | SPRING PIN 2.5X6              | 1   |
| 33 |      | SD0720803TH | STEP-SCREW D=7.24 H=8         | 1   |
| 34 |      | 12121612    | DRIVING BALL ARM BRACKET      | 1   |
| 35 |      | SS6110710TP | SCREW 11/64-40 L=6.5          | 1   |
| 36 |      | SS4080620TP | SCREW 1/8-44 L=6              | 2   |
| 37 |      | SS6090620TP | SCREW                         | 1   |
| 38 |      | SS6110710TP | SCREW 11/64-40 L=6.5          | 2   |
| 39 |      | SS7110720TP | SCREW 11/64-40 L=7            | 1   |

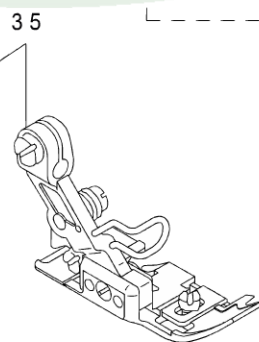
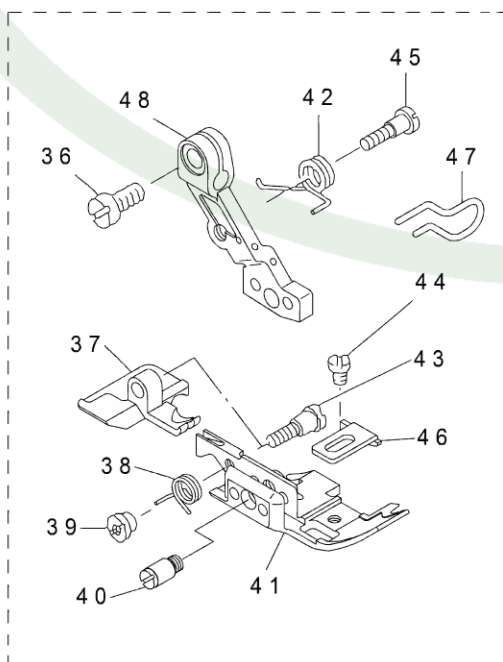
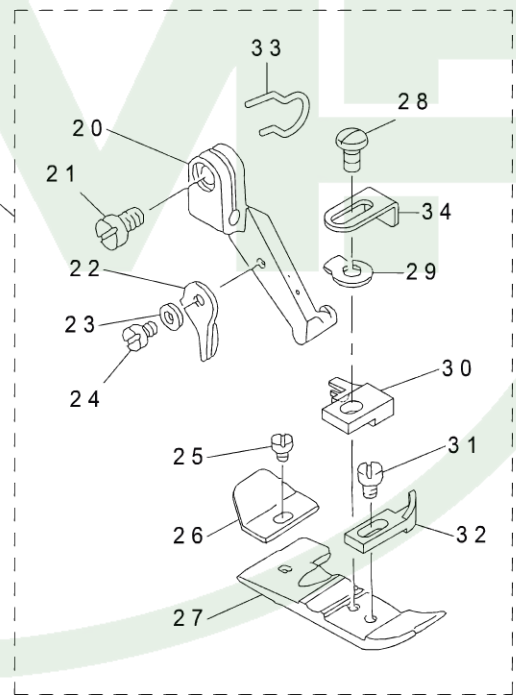
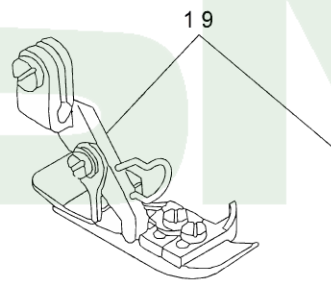
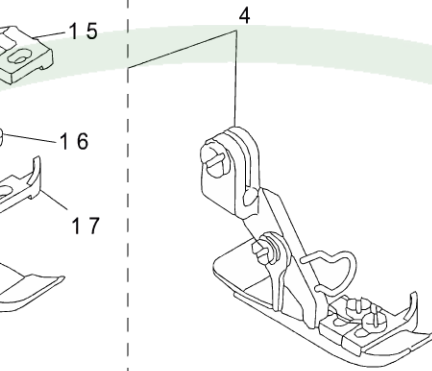
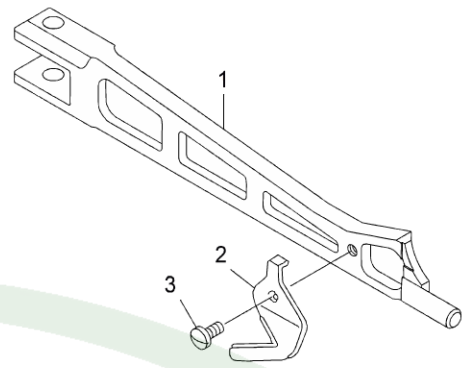
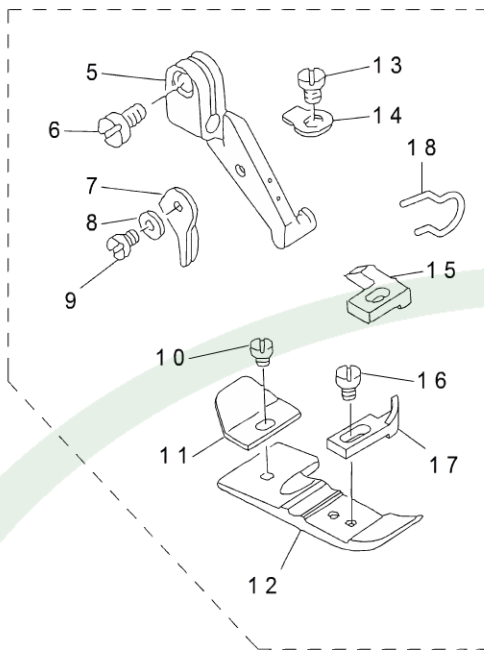
1...#01SELECTIVE PARTS / 2... / 3...  
/ 4...FOR NO.9 / 5...N.O. 9は、セットのみの注文になります。 / 6... /





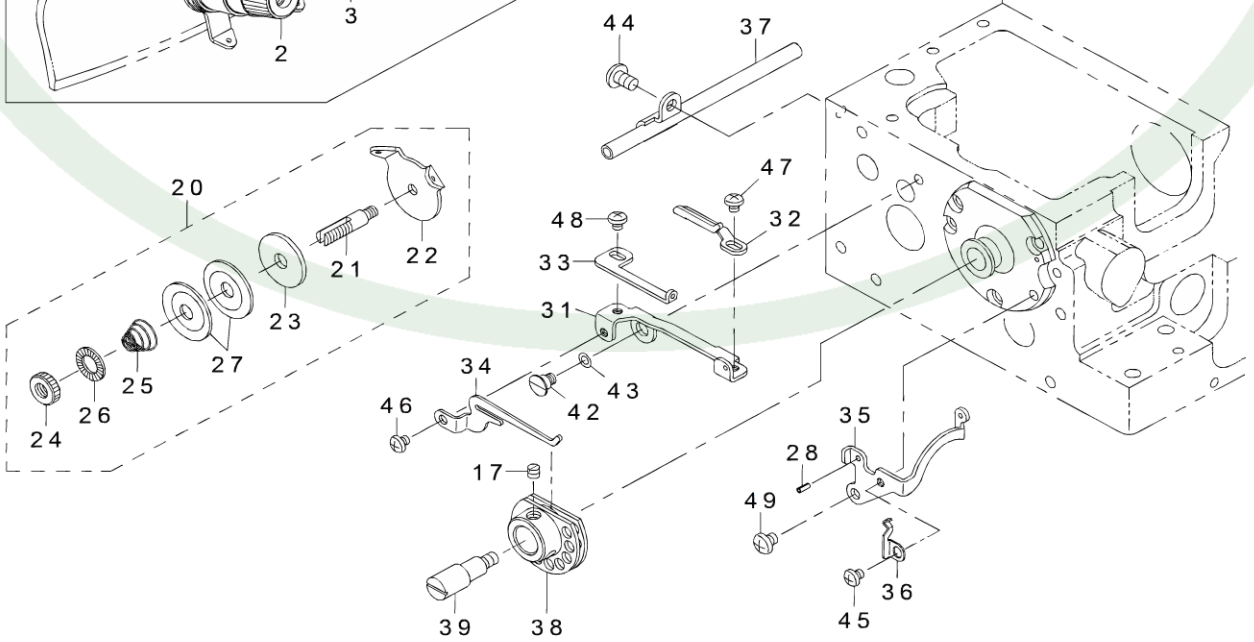
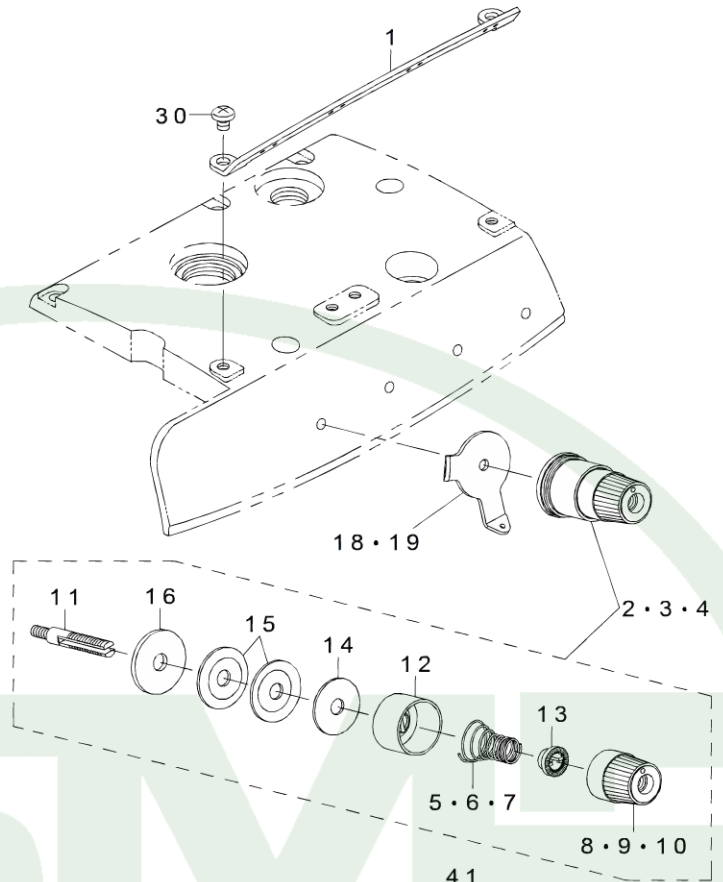
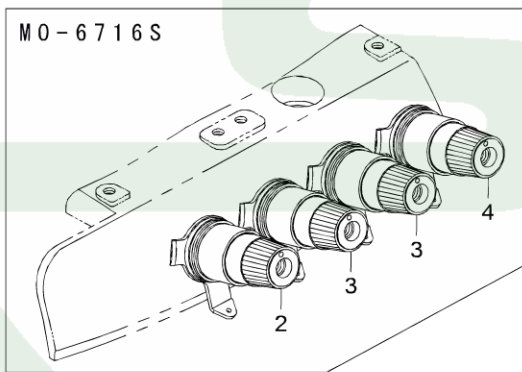
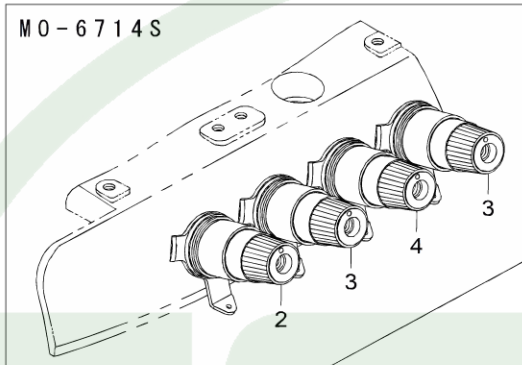
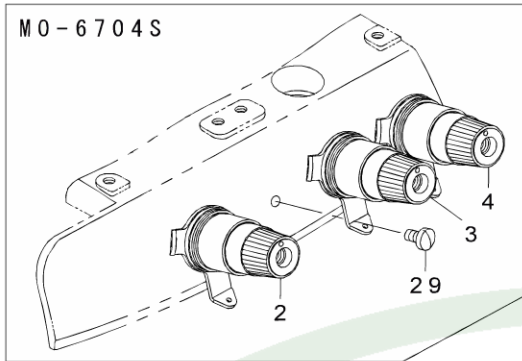


| No | note | Parts No.   | DESCRIPTION                    | Qty |
|----|------|-------------|--------------------------------|-----|
| 1  |      | 13115001    | PRESSER FOOT SHAFT             | 1   |
| 2  |      | 40102328    | PRESSER FOOT SHAFT BUSHING     | 1   |
| 3  |      | 40096182    | THRUST ARM ASM.                | 1   |
| 4  |      | 40096181    | THRUST ARM                     | (1) |
| 5  |      | SM6061402TP | SCREW M6 L=14                  | (1) |
| 6  |      | SS7161040SP | SCREW 1/4-24 L=9.5             | 1   |
| 7  |      | 13116801    | LIFTING ARM                    | 1   |
| 8  |      | 13115407    | PRESSER FOOT ARM HINGE SHAFT   | 1   |
| 9  |      | 13115753    | PRESSER LIFTING LEVER BASE ASM | 1   |
| 10 |      | 13115803    | PRESSER LIFTING LEVER BASE     | (1) |
| 11 |      | 13115902    | PRESSER LIFTING LEVER          | (1) |
| 12 |      | 13116009    | PRESSER ARM STOPPER            | (1) |
| 13 |      | 13116108    | PRESSER FOOT LIFTING SPRING    | (1) |
| 14 |      | SS7110510SP | SCREW 11/64-40 L=5             | (2) |
| 15 |      | SD0640241SP | HINGE SCREW D=6.35 H=2.4       | (1) |
| 16 |      | PS0300142KH | SPRING PIN 0.3X14              | (1) |
| 17 |      | SS6080340SP | SCREW 1/8-44 L=2.9             | (1) |
| 18 |      | 13116207    | PRESSER FOOT SPRING            | 1   |
| 19 |      | 13117007    | PRESSER LIFTING LEVER SCREW    | 1   |
| 20 |      | 13116306    | PRESSER LIFTING LEVER SPRING   | 1   |
| 21 |      | 13116900    | PRESSER LIFTING LEVER          | 1   |
| 22 |      | 13116405    | PRESSER LIFTING HOOK           | 1   |
| 23 |      | 13116504    | LIFTING LEVER ARM SPRING       | 1   |
| 24 |      | 13116603    | PRESSER LIFTING LEVER SPRING   | 1   |
| 25 |      | NM6060003SC | NUT M6                         | 1   |
| 26 |      | NS6110420SP | NUT 11/64-40                   | 1   |
| 27 |      | SM6061200SP | SCREW M6 L=12                  | 1   |
| 28 |      | SS7110840SP | SCREW 11/64-40 L=7.8           | 2   |
| 29 |      | SS7111410TP | SCREW 11/64-40 L=14            | 1   |
| 30 |      | SM8050412TP | SCREW M5 L=4                   | 1   |
| 31 |      | 40034897    | PRESSER ADJUSTING SCREW        | 1   |
| 32 |      | 13115654    | PRESSER BAR ASM.               | 1   |
| 33 |      | 12288700    | PRESSER REGULATOR SCREW WASHER | 1   |
| 34 |      | 13117106    | PRESSER REGULATOR NUT          | 1   |
| 35 |      | 13212709    | PRESSER BAR COVER              | 1   |
| 36 |      | 13170402    | RUBBER RING                    | 2   |
| 37 |      | 13170402    | RUBBER RING                    | 1   |
| 38 |      | SM8040402TP | SCREW M4X0.7 L=4               | 1   |
| 39 |      | 13212501    | PRESSER BAR BUSHING            | 1   |
| 40 |      | SS6121020SP | SCREW 3/16-28 L=9.5            | 1   |
| 41 |      | 13212808    | ADJUSTING BASE                 | 1   |
| 42 |      | 13213012    | ADJUSTING SCREW                | 1   |
| 43 |      | 13212915    | ADJUSTING BLOCK                | 1   |
| 44 |      | 13123302    | ADJUSTING SPRING               | 1   |
| 45 |      | SS7150740SP | SCREW 15/64-28 L=7             | 2   |
| 46 |      | WP0460556SD | WASHER 4.6X7.5X0.5             | 1   |
| 47 |      | RE0300000K0 | E-RING 3                       | 1   |
| 48 |      | 70004672    | SLIDE BLOCK                    | 1   |
| 49 |      | SS8080310TP | SCREW 1/8-44 L=2.8             | 1   |



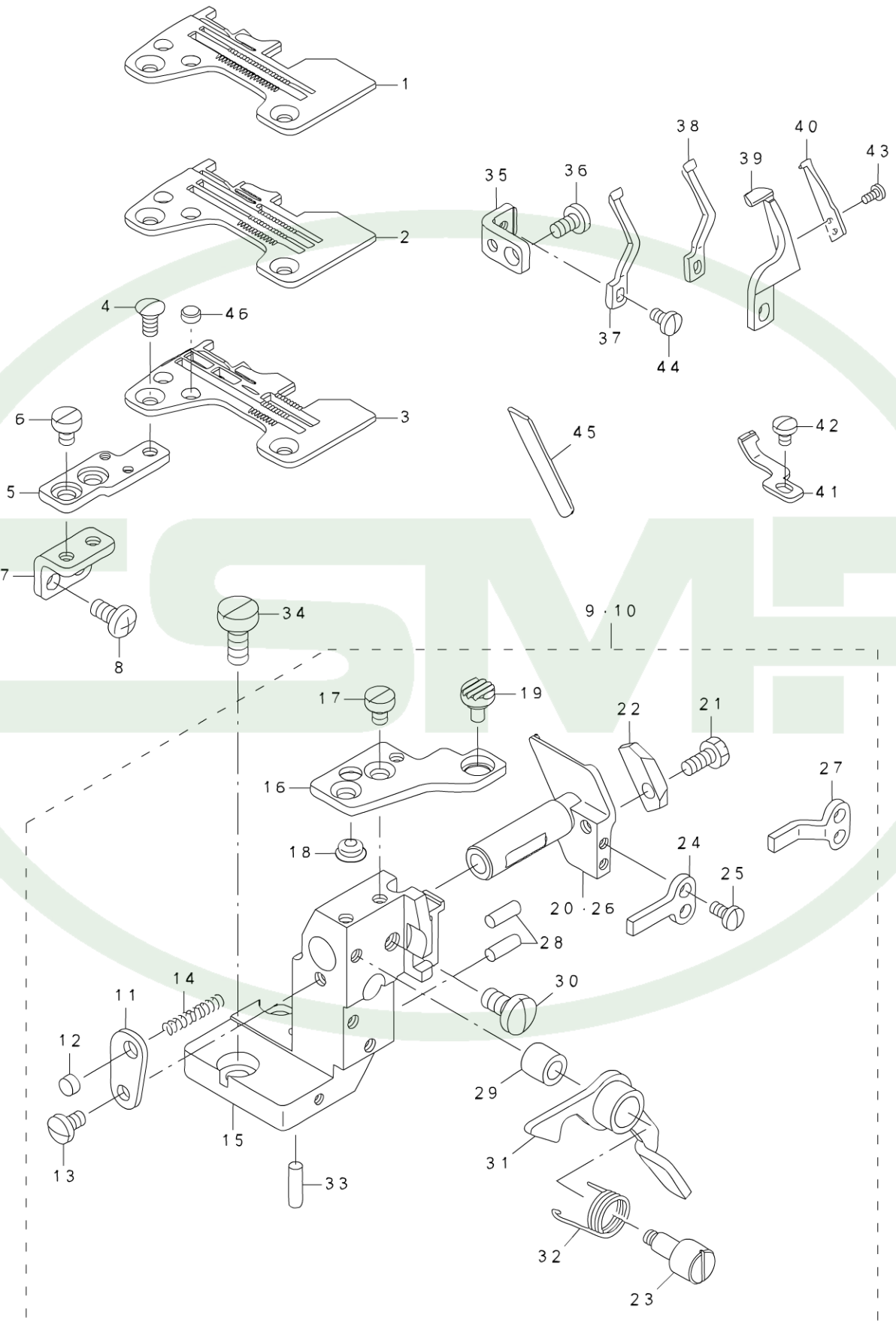
| No | note | Parts No.   | DESCRIPTION                  | Qty |
|----|------|-------------|------------------------------|-----|
| 1  |      | 13117205    | PRESSER FOOT ARM             | 1   |
| 2  |      | 13116702    | THREAD TRIMMER               | 1   |
| 3  |      | SS7060510SP | SCREW 3/32-56 L=4.8          | 1   |
| 4  | #01  | 11876166    | PRESSER FOOT ASM.            | 1   |
| 5  |      | 11872009    | PRESSER FOOT HINGE           | (1) |
| 6  |      | SS6090670TP | SCREW 9/64-40 L=6            | (1) |
| 7  |      | B1530804000 | STOPPER                      | (1) |
| 8  |      | WP0250516SD | WASHER 2.5X6X0.5             | (1) |
| 9  |      | SS7060610SP | SCREW 3/32-56 L=5.5          | (1) |
| 10 |      | SS6060210SP | SCREW 3/32-56 L=1.9          | (1) |
| 11 |      | B1511814000 | REAR PRESSER FOOT            | (1) |
| 12 |      | B1507804C00 | PRESSER FOOT                 | (1) |
| 13 |      | SS7080520SP | SCREW 1/8-44 L=4.9           | (1) |
| 14 |      | B150880400B | SPRING                       | (1) |
| 15 |      | B1509804C00 | STITCH TONGUE                | (1) |
| 16 |      | SS6060440TP | SCREW 3/32-56 L=3.5          | (1) |
| 17 |      | B1510814000 | CURL GUARD                   | (1) |
| 18 |      | 13178306    | FINGER GUIDE                 | (1) |
| 19 | #02  | 11876869    | PRESSER FOOT ASM.            | 1   |
| 20 |      | 11872009    | PRESSER FOOT HINGE           | (1) |
| 21 |      | SS6090670TP | SCREW 9/64-40 L=6            | (1) |
| 22 |      | B1530804000 | STOPPER                      | (1) |
| 23 |      | WP0250516SD | WASHER 2.5X6X0.5             | (1) |
| 24 |      | SS7060610SP | SCREW 3/32-56 L=5.5          | (1) |
| 25 |      | SS6060210SP | SCREW 3/32-56 L=1.9          | (1) |
| 26 |      | B1511814000 | REAR PRESSER FOOT            | (1) |
| 27 |      | B150781400P | PRESSER FOOT                 | (1) |
| 28 |      | SS4080620TP | SCREW 1/8-44 L=6             | (1) |
| 29 |      | B150880400B | SPRING                       | (1) |
| 30 |      | B150981400P | STITCH TONGUE                | (1) |
| 31 |      | SS6060440TP | SCREW 3/32-56 L=3.5          | (1) |
| 32 |      | B1510814000 | CURL GUARD                   | (1) |
| 33 |      | 13178306    | FINGER GUIDE                 | (1) |
| 34 |      | 40030533    | PRESSER FOOT AUXILIARY PLATE | (1) |
| 35 | #03  | 12153763    | PRESSER FOOT ASM.            | 1   |
| 36 |      | SS6090670TP | SCREW 9/64-40 L=6            | (1) |
| 37 |      | 12164802    | REAR PRESSER FOOT            | (1) |
| 38 |      | 12167805    | SPRING FOR REAR PRESSER FOOT | (1) |
| 39 |      | B1513816000 | NUT FOR REAR PRESSER FOOT    | (1) |
| 40 |      | 12167409    | HINGE PIN                    | (1) |
| 41 |      | 12162202    | PRESSER FOOT                 | (1) |
| 42 |      | 12167607    | PRESSER FOOT ARM SPRING      | (1) |
| 43 |      | 12167508    | HINGE SCREW                  | (1) |
| 44 |      | SS6060340SP | SCREW 3/32-56 L=2.5          | (1) |
| 45 |      | B1514816000 | SCREW                        | (1) |
| 46 |      | 12167706    | PRESSER FOOT                 | (1) |
| 47 |      | 13178405    | FINGER GUIDE                 | (1) |
| 48 |      | 12156907    | PRESSER FOOT HINGE           | (1) |

1...#01FOR MO-6704S / 2...#02FOR MO-6714S / 3...#03FOR MO-6716S / 4... /



| No | note | Parts No.   | DESCRIPTION                  | Qty |
|----|------|-------------|------------------------------|-----|
| 1  |      | 13225008    | CENTER THREAD GUIDE          | 1   |
| 2  |      | 13137559    | THREAD TENSION SPRING COMPL. | 1   |
| 3  | #01  | 13138359    | THREAD TENSION SPRING COMPL. | 1   |
| 4  |      | 13138656    | THREAD TENSION SPRING COMPL. | 1   |
| 5  |      | 13137807    | THREAD TENSION SPRING RED    | (1) |
| 6  |      | 13138508    | THREAD TENSION SPRING YELLOW | (1) |
| 7  |      | 13138805    | THREAD TENSION SPRING BLUE   | (1) |
| 8  |      | 13137708    | THREAD TENSION KNOB RED      | (1) |
| 9  |      | 13138409    | THREAD TENSION KNOB YELLOW   | (1) |
| 10 |      | 13138706    | THREAD TENSION KNOB BLUE     | (1) |
| 11 |      | 13138904    | THREAD TENSION BAR           | (1) |
| 12 |      | 13137609    | THREAD TENSION DISK PRESSER  | (1) |
| 13 |      | 13137906    | SPRING BUSHING               | (1) |
| 14 |      | 13138102    | THREAD TENSION SPRING FELT   | (1) |
| 15 |      | 13138201    | THREAD TENSION DISK          | (2) |
| 16 |      | 13138003    | THREAD TENSION RUBBER WASHER | (1) |
| 17 | #04  | SS8110410TP | SCREW 11/64-40 L=3.5         | 2   |
| 18 | #02  | 13225107    | TESION DISK THREAD GUIDE     | 3   |
| 19 | #03  | 13225107    | TESION DISK THREAD GUIDE     | 4   |
| 20 | #04  | 13139555    | THREAD TENSION POST CONPL.   | 1   |
| 21 |      | 13140009    | THREAD TENSION POST          | (1) |
| 22 |      | 13139605    | TESION DISK THREAD GUIDE     | (1) |
| 23 |      | 13139902    | THREAD TENSION SPRING FELT   | (1) |
| 24 |      | 13139803    | THREAD TENSION NUT           | (1) |
| 25 |      | 13139704    | THREAD TENSION SPRING        | (1) |
| 26 |      | 22921407    | ROTATION STOPPER             | (1) |
| 27 |      | 13138201    | THREAD TENSION DISK          | (2) |
| 28 | #04  | PS0200052KH | SPRING PIN 2.3X5             | 1   |
| 29 | #02  | SS7110710SL | SCREW 11/64-40 L=7.0         | 1   |
| 30 |      | SS4110615SP | SCREW 11/64-40 L=6           | 2   |
| 31 | #04  | 13128202    | THREAD CAM THREAD GUIDE BASE | 1   |
| 32 | #04  | 13128301    | THREAD CAM THREAD GUIDE A    | 1   |
| 33 | #04  | 13128400    | THREAD CAM THREAD GUIDE B    | 1   |
| 34 | #04  | 13128509    | LOWER THREAD CAM HOOK        | 1   |
| 35 | #04  | 13128608    | LOWER THREAD GUIDE           | 1   |
| 36 | #04  | 13128707    | THREAD GUIDE BASE SPRING     | 1   |
| 37 | #04  | 13129259    | LOOPER THREAD CAM ASM.       | 1   |
| 38 | #04  | 13129457    | LOWER THREAD CAM COMPL.      | 1   |
| 39 | #04  | B2202816000 | SHAFT                        | 1   |
| 40 | #04  | 13129101    | LOWER THREAD CONDUIT GUIDE   | 1   |
| 41 | #04  | SS5150510SP | SCREW 15/64-28 L=5           | 1   |
| 42 | #04  | SD0600341TP | HINGE SCREW D=6.0 H=3.4      | 1   |
| 43 | #04  | W20640312K0 | WAVED WASHER                 | 1   |
| 44 | #04  | SM4050855SP | SCREW M5 L=8                 | 1   |
| 45 | #04  | SS4090415SP | SCREW 9/64-40 L=4            | 1   |
| 46 | #04  | SS4090415SP | SCREW 9/64-40 L=4            | 1   |
| 47 | #04  | SS4090415SP | SCREW 9/64-40 L=4            | 1   |
| 48 | #04  | SS4090415SP | SCREW 9/64-40 L=4            | 1   |
| 49 | #04  | SS4110515SP | SCREW 11/64-40 L=5           | 1   |

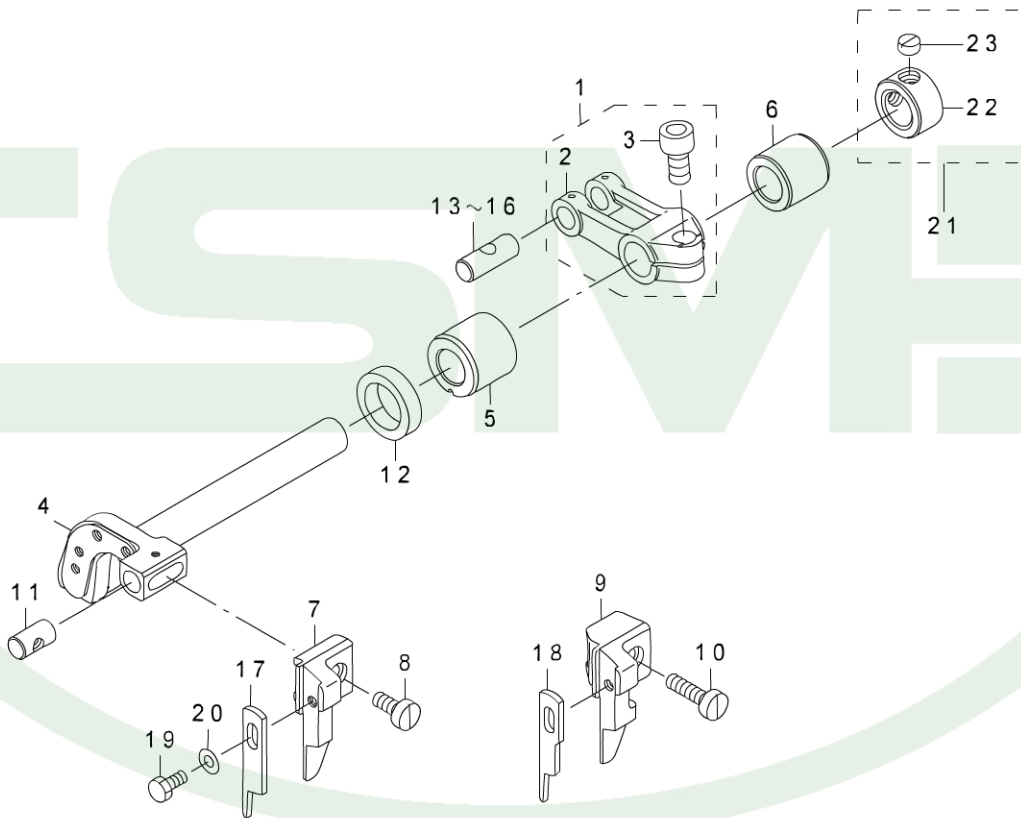
1...#01FOR MO-6704S(1 PC. IS USED.)/MO-6714S(2 PC. ARE USED.)/MO-6916S(2 PC. ARE USED.) / 2...#02FOR MO-6704S / 3...#03FOR MO-6714S/MO-6716S / 4...#04FOR MO-6716S / 5... /



| No | note | Parts No.   | DESCRIPTION                 | Qty |
|----|------|-------------|-----------------------------|-----|
| 1  | #01  | R4200J6ED00 | THROAT PLATE                | 1   |
| 2  | #02  | R4305J6EE00 | THROAT PLATE                | 1   |
| 3  | #03  | R4508J6ED00 | THROAT PLATE                | 1   |
| 4  |      | SS2110910SL | SCREW 11/64-40 L=9          | 2   |
| 5  |      | 13151204    | THROAT PLATE BASE B         | 1   |
| 6  |      | SS6110610TP | SCREW 11/64-40 L=6          | 2   |
| 7  |      | 12288908    | THROAT PLATE BASE B SUPPORT | 1   |
| 8  |      | SM4051055SP | SCREW                       | 2   |
| 9  | #04  | 13232657    | LOWER KNIFE BRACKET ASM.    | 1   |
| 10 | #03  | 13232756    | LOWER KNIFE BRACKET ASM.    | 1   |
| 11 |      | 13149307    | SPRING STOPPER              | (1) |
| 12 |      | 13102702    | THROAT PLATE COVER          | (1) |
| 13 |      | SS7110720SP | SCREW 11/64-40 L=7          | (1) |
| 14 |      | 13148101    | SPRING                      | (1) |
| 15 |      | 13149406    | LOWER KNIFE BRACKET         | (1) |
| 16 |      | 13148309    | THROAT PLATE BASE A         | (1) |
| 17 |      | SS6110610TP | SCREW 11/64-40 L=6          | (2) |
| 18 |      | 13149109    | RUBBER PLUG B               | (1) |
| 19 |      | 13235304    | RUBBER PLUG A               | (1) |
| 20 | #04  | 13149505    | LOWER KNIFE SLIDE STUD      | (1) |
| 21 |      | SS9111010SP | SCREW 11/64-40 L=9.5        | (1) |
| 22 |      | 13149208    | LOWER KNIFE PRESSER PLATE   | (1) |
| 23 |      | 13148408    | LEVER SHAFT                 | (1) |
| 24 | #04  | 13149703    | ROTATING STOPPER            | (1) |
| 25 |      | SS7090710SP | SCREW 9/64-40 L=6.8         | (2) |
| 26 | #03  | 13149604    | LOWER KNIFE SLIDE STUD      | (1) |
| 27 | #03  | 13149802    | ROTATING STOPPER            | (1) |
| 28 |      | 13149901    | HOLDER PIN                  | (2) |
| 29 |      | 13148903    | RUBBER PLUG                 | (1) |
| 30 |      | SS7151120SP | SCREW 15/64-28 L=11         | (1) |
| 31 |      | 13148556    | LEVER ASM.                  | (1) |
| 32 |      | 13148804    | LEVER SPRING                | (1) |
| 33 |      | 13149901    | HOLDER PIN                  | (1) |
| 34 |      | SS6151440SP | SCREW 15/64-28 L=14         | 2   |
| 35 |      | 13151105    | NEEDLE HOLDER SUPPORT       | 1   |
| 36 |      | SS7110840SP | SCREW 11/64-40 L=7.8        | 1   |
| 37 | #01  | 11890100    | NEEDLE GUARD                | 1   |
| 38 | #02  | 11890308    | NEEDLE GUARD                | 1   |
| 39 | #03  | 12015301    | NEEDLE HOLDER               | 1   |
| 40 | #03  | 12015400    | NEEDLE HOLDER               | 1   |
| 41 | #03  | 12177903    | NEEDLE HOLDER               | 1   |
| 42 | #03  | SS7090510SP | SCREW 9/64-40 L=4.6         | 1   |
| 43 | #03  | SS7060510SP | SCREW 3/32-56 L=4.8         | 2   |
| 44 |      | SS7090610SP | SCREW 9/64-40 L=6           | 1   |
| 45 |      | 13150701    | LOWER KNIFE                 | 1   |
| 46 |      | 13102702    | THROAT PLATE COVER          | 2   |

1...#01FOR MO-6704S / 2...#02FOR MO-6714S / 3...#03FOR MO-6716S / 4...#04FOR MO-6704S/MO-6714S / 5... /

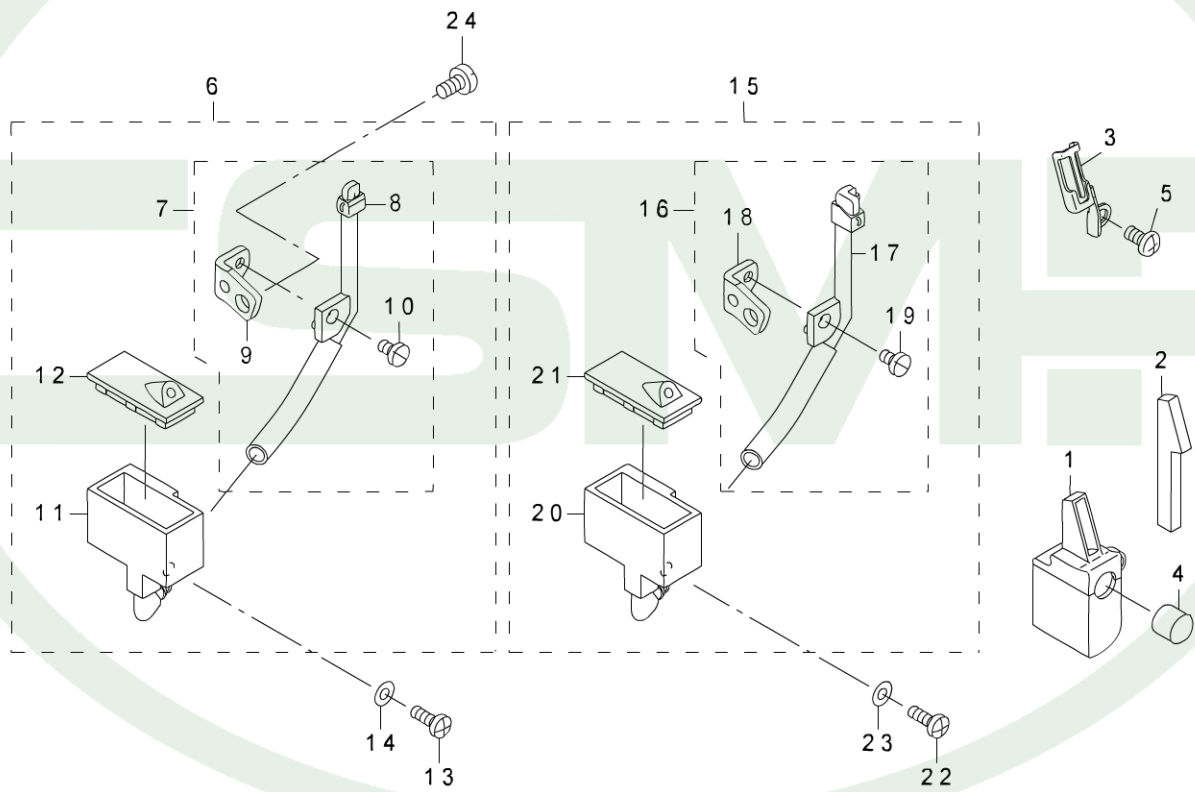




| No | note | Parts No.   | DESCRIPTION                | Qty |
|----|------|-------------|----------------------------|-----|
| 1  |      | 13147558    | FEED FORKED ARM ASM.       | 1   |
| 2  |      | 13147509    | FEED FORKED ARM            | (1) |
| 3  |      | SM6061402TP | SCREW M6 L=14              | (1) |
| 4  |      | 13151303    | KNIFE DRIVING ARM SHAFT    | 1   |
| 5  |      | 13150909    | BUSHING FRONT              | 1   |
| 6  |      | 13151006    | BUSHING REAR               | 1   |
| 7  | #01  | 13147400    | PLAIN KNIFE SUPPORT A      | 1   |
| 8  | #01  | SS6111040SP | SCREW 11/64-40 L=9.5       | 1   |
| 9  | #02  | 13147301    | PLAIN KNIFE SUPPORT        | 1   |
| 10 | #02  | SS6111610SP | SCREW 11/64-40 L=16        | 1   |
| 11 |      | 13150800    | UPPER KNIFE GUIDE SHAFT    | 1   |
| 12 |      | 11566809    | OIL SEAL                   | 1   |
| 13 | #03  | 13122007    | CRANK PIN A                | 1   |
| 14 | #03  | 13122106    | CRANK PIN B                | 1   |
| 15 | #03  | 13122205    | CRANK PIN C                | 1   |
| 16 | #03  | 13122304    | CRANK PIN D                | 1   |
| 17 | #01  | 13150503    | PLAIN KNIFE                | 1   |
| 18 | #02  | 13150602    | PLAIN KNIFE                | 1   |
| 19 |      | SS9090823TP | BOLT 9/64-40 L=8           | 1   |
| 20 |      | WP0370316SD | WASHER 3.7X8X0.3           | 1   |
| 21 |      | CS111101HSH | THRUST COLLAR ASM.         | 1   |
| 22 |      | CS1111019SH | THRUST COLLAR D=11.11 W=10 | (1) |
| 23 |      | SS8660330SP | SCREW 1/4-40 L= 3.0        | (1) |

1...#01FOR MO-6704S/MO-6714S / 2...#02FOR MO-6716S / 3...#03SELECTIVE PARTS / 4... /

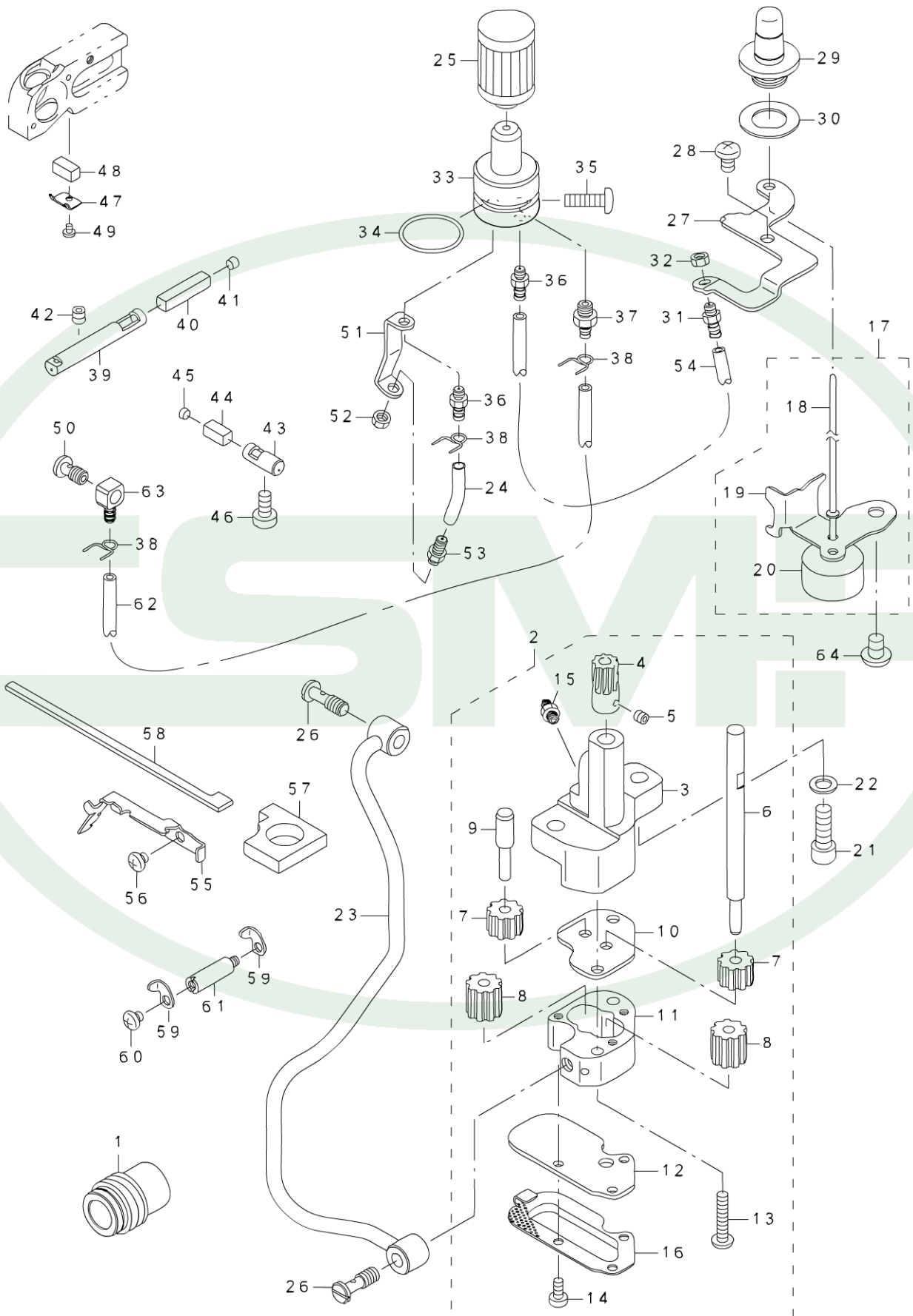




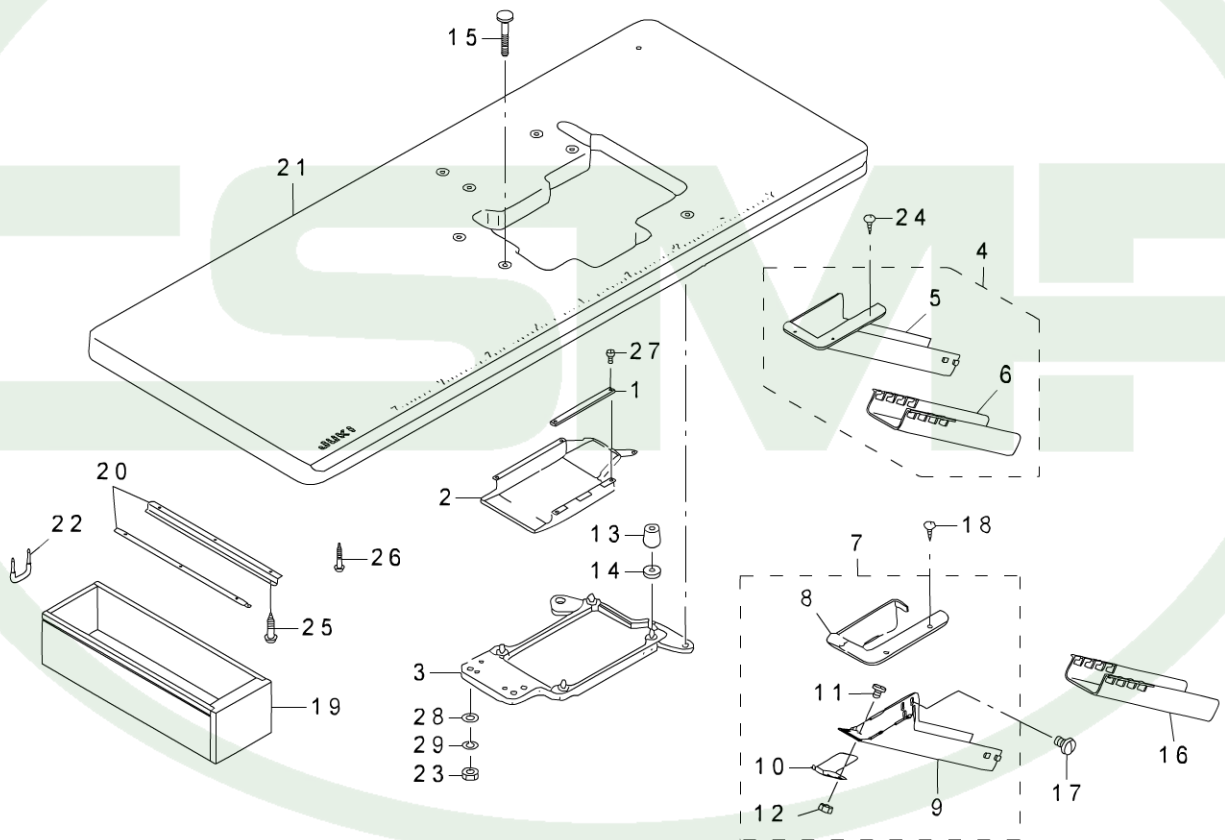
| No | note | Parts No.   | DESCRIPTION                    | Qty |
|----|------|-------------|--------------------------------|-----|
| 1  |      | 13163456    | SILICON TANK ASM.              | 1   |
| 2  |      | 13163803    | NEEDLE THREAD FELT             | 1   |
| 3  |      | 13163902    | NEEDLE THREAD FELT PRESSER     | 1   |
| 4  |      | TA0950806R0 | RUBBER PLUG                    | 1   |
| 5  |      | SM4040855SP | SCREW                          | 1   |
| 6  | #01  | 13162557    | NEEDLE COOLER UNIT ASM. (OVER) | 1   |
| 7  |      | 13162565    | NEEDLE COOLER UNIT COMPL.      | (1) |
| 8  |      | 13162573    | NEEDLE COOLER UNIT ASM. (OVER) | (1) |
| 9  |      | 13162805    | NEEDLE COOLER SUPPORT          | (1) |
| 10 |      | SS7090610SP | SCREW 9/64-40 L=6              | (1) |
| 11 |      | 13162904    | TANK                           | (1) |
| 12 |      | 13163001    | TANK COVER                     | (1) |
| 13 |      | SS4091015SP | SCREW 9/64-40 L=10             | 1   |
| 14 |      | WP0371026SD | WASHER 3.7X7X1                 | 1   |
| 15 | #02  | 13163159    | NEEDLE COOLER UNIT ASM.(INTER) | 1   |
| 16 |      | 13163167    | NEEDLE COOLER COMPL.(INTER)    | (1) |
| 17 |      | 13163175    | NEEDLE COOLER ASM.(INTER)      | (1) |
| 18 |      | 13162805    | NEEDLE COOLER SUPPORT          | (1) |
| 19 |      | SS7090610SP | SCREW 9/64-40 L=6              | (1) |
| 20 |      | 13162904    | TANK                           | (1) |
| 21 |      | 13163001    | TANK COVER                     | (1) |
| 22 |      | SS4091015SP | SCREW 9/64-40 L=10             | 1   |
| 23 |      | WP0371026SD | WASHER 3.7X7X1                 | 1   |
| 24 |      | SS7110840SP | SCREW 11/64-40 L=7.8           | 1   |

1...#01FOR MO-6704S/MO-6714S / 2...#02FOR MO-6716S / 3... /





| No | note | Parts No.   | DESCRIPTION                    | Qty  |
|----|------|-------------|--------------------------------|------|
| 1  |      | 13230305    | WORM                           | 1    |
| 2  |      | 40018044    | OIL PUMP ASM                   | 1    |
| 3  |      | 12315909    | OIL PUMP                       | (1)  |
| 4  |      | 13343009    | WORM WHEEL                     | (1)  |
| 5  |      | SM8050412TP | SCREW M5 L=4                   | (2)  |
| 6  |      | 11918109    | GEAR PUMP SHAFT LARGE          | (1)  |
| 7  |      | B3534352000 | PINION GEAR                    | (2)  |
| 8  |      | 11840303    | OIL PUMP PINION                | (2)  |
| 9  |      | 12317004    | GEAR PUMP SHAFT                | (1)  |
| 10 |      | 12316006    | PINION SPACER                  | (1)  |
| 11 |      | 12316105    | CASING                         | (1)  |
| 12 |      | 40016762    | PUMP COVER                     | (1)  |
| 13 |      | SS4112215SP | SCREW 11/64-40 L=22            | (2)  |
| 14 |      | SS6090810SP | SCREW 9/64-40 L=7.5            | (3)  |
| 15 |      | SQ1110401MZ | CONNECTING SCREW               | (1)  |
| 16 |      | 40016763    | PUMP NET                       | (1)  |
| 17 |      | 13229356    | FLOAT ASM.                     | 1    |
| 18 |      | 12129904    | OIL GAUGE BAR                  | (1)  |
| 19 |      | 13229307    | FLOAT SUPPORT                  | (1)  |
| 20 |      | 12129805    | FLOAT                          | (1)  |
| 21 |      | SM6061802TP | SCREW M6 L=18                  | 2    |
| 22 |      | WP0651056SD | WASHER 6.5X11X1                | 2    |
| 23 |      | 13228655    | LUBRICATION MECHANISM PIPE ASM | 1    |
| 24 |      | BP30000010R | VINYL PIPE                     | 0.03 |
| 25 |      | 13142500    | CARTRIDGE FILTER               | 1    |
| 26 |      | SQ1150454SD | CONNECTING SCREW               | 2    |
| 27 |      | 13143805    | EXHAUST PORT SUPPORT           | 1    |
| 28 |      | SM4050855SP | SCREW                          | 1    |
| 29 |      | 13143300    | OIL GAUGE                      | 1    |
| 30 |      | 13144001    | OIL GAUGE GASKET               | 1    |
| 31 |      | SQ1110451MZ | CONNECTING SCREW               | 1    |
| 32 |      | NS6110310SP | NUT 11/64-40                   | 1    |
| 33 |      | 13142955    | FILTER GUIDE ASM.              | 1    |
| 34 |      | 13170808    | RUBBER RING                    | 1    |
| 35 |      | SM4051601SC | SCREW M5X0.8 L=16              | 1    |
| 36 |      | SQ1110451MZ | CONNECTING SCREW               | 2    |
| 37 |      | SQ1150451MZ | CONNECTING SCREW               | 1    |
| 38 |      | 13142609    | OIL TUBE HOLDER                | 3    |
| 39 |      | 13144100    | OILING PIN                     | 1    |
| 40 |      | 13144209    | OIL FELT                       | 1    |
| 41 |      | TA0400301M0 | PLUG D=4X4.5 L=3               | 1    |
| 42 |      | SM8050502TP | SCREW M5 L=5                   | 1    |
| 43 |      | 13143417    | UPPER LOOPER OILING PIN        | 1    |
| 44 |      | 13143508    | OIL FELT                       | 1    |
| 45 |      | 13230107    | UPPER LOOPER OILING PIN PLUG   | 1    |
| 46 |      | SS6121020SP | SCREW 3/16-28 L=9.5            | 1    |
| 47 |      | 13143607    | OIL FELT PRESSER               | 1    |
| 48 |      | 13143706    | OIL FELT                       | 1    |
| 49 |      | SS7060310SP | SCREW 3/32-56 L=3              | 1    |
| 50 |      | SQ1150441SD | CONNECTING SCREW               | 1    |
| 51 |      | 13229208    | WORM EXHAUST PORT GUIDE        | 1    |
| 52 |      | NS6110310SP | NUT 11/64-40                   | 1    |
| 53 |      | SQ1110451MZ | CONNECTING SCREW               | 1    |
| 54 |      | 23630007    | TUBE                           | 0.17 |
| 55 |      | 13228804    | OIL FELT GUIDE                 | 1    |
| 56 |      | 31018005    | SCREW                          | 2    |
| 57 |      | 13229109    | OIL FELT B                     | 1    |
| 58 |      | 13229406    | OIL FELT A                     | 1    |
| 59 |      | 13228903    | OIL FELT PRESSER               | 2    |
| 60 |      | 31018005    | SCREW                          | 1    |
| 61 |      | 13229000    | FELT PRESSER SPACER            | 1    |
| 62 |      | BP30000010R | VINYL PIPE                     | 0.29 |
| 63 |      | SQ0000451MZ | CONNECTING SCREW               | 1    |
| 64 |      | SM4060801SE | SCREW                          | 1    |

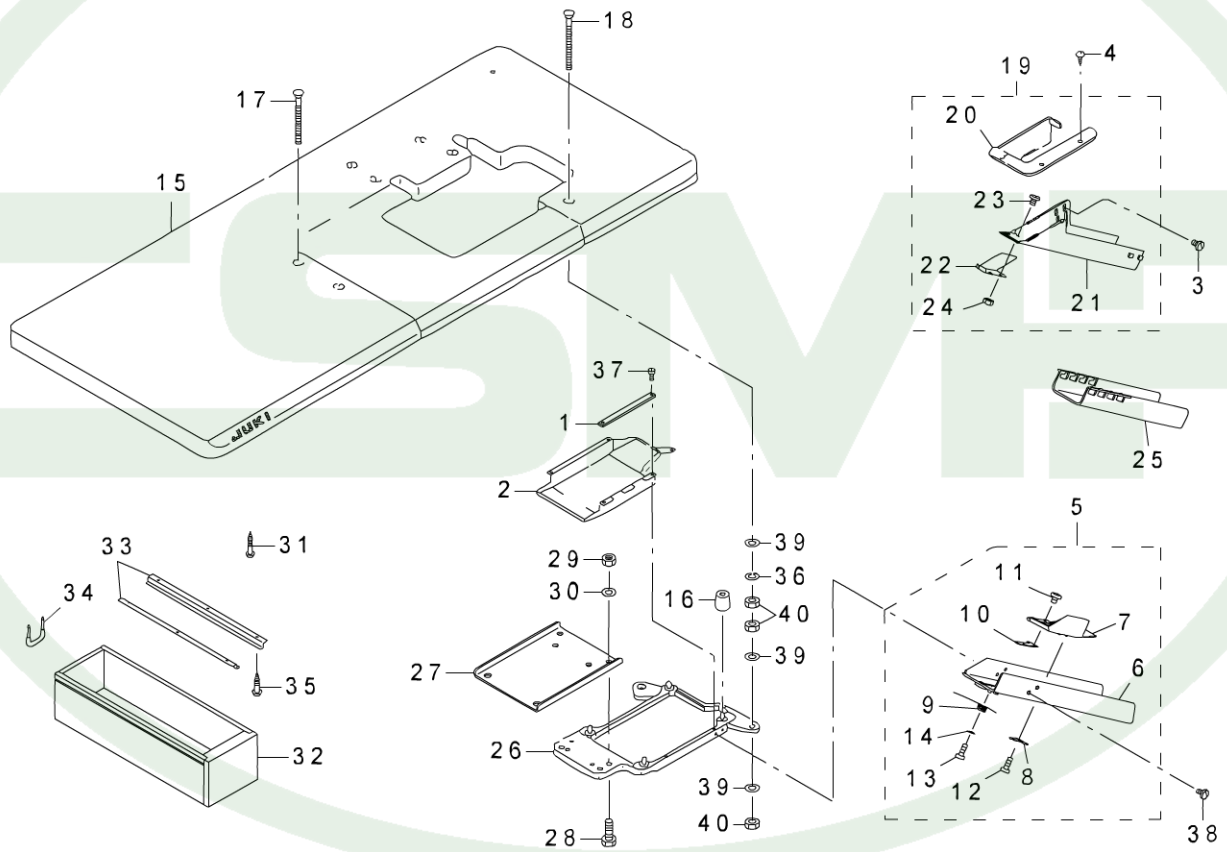


| No | note | Parts No.   | DESCRIPTION                    | Qty |
|----|------|-------------|--------------------------------|-----|
| 1  |      | 13161005    | CASE SPONGE                    | 1   |
| 2  |      | 13160908    | COOLING FAN CASE               | 1   |
| 3  |      | 13161153    | FRAME SUPPORT PLATE ASM.       | 1   |
| 4  | #01  | 12341954    | CLOTH WASTE CHUTE ASM.         | 1   |
| 5  |      | 12341905    | CLOTH WASTE CHUTE(SEMI-SUNKEN) | (1) |
| 6  |      | 12341806    | CLOTH WASTE CHUTE              | (1) |
| 7  | #02  | 13155759    | CLOTH WASTE CHUTE ASM.         | 1   |
| 8  |      | 13155601    | CLOTH WASTE CHUTE INLET        | (1) |
| 9  |      | 13155700    | CLOTH WASTE CHUTE UPPER        | (1) |
| 10 |      | 13155502    | CHUTE SUPPORT                  | (1) |
| 11 |      | SS5090610SP | SCREW 9/64-40 L=6              | (3) |
| 12 |      | NS6090310SP | NUT 9/64-40                    | (3) |
| 13 |      | 13155403    | DUST-PROOF RUBBER              | 4   |
| 14 |      | 13156500    | DUST-PROOF RUBBER SPACER       | 4   |
| 15 |      | 13155007    | HOLDING PLATE BOLT             | 4   |
| 16 | #02  | 12341806    | CLOTH WASTE CHUTE              | 1   |
| 17 | #02  | SS5110710SP | SCREW 11/64-40 L=7             | 2   |
| 18 | #02  | SK2351600SC | WOOD SCREW D=3.5 L=16          | 3   |
| 19 |      | 11155108    | DRAWER                         | 1   |
| 20 |      | 11155207    | DRAWER SUPPORT                 | 2   |
| 21 |      | 11959400    | TABLE (SEMI-SUNKEN)            | 1   |
| 22 |      | D8204555D00 | DRAWER STOPPER                 | 1   |
| 23 |      | NS6240630SE | NUT 3/8-18                     | 4   |
| 24 | #01  | SK2351600SC | WOOD SCREW D=3.5 L=16          | 3   |
| 25 |      | SK3311500SC | WOOD SCREW D=3.1 L=15          | 6   |
| 26 |      | SK3513200SC | WOOD SCREW D=5.1 L=32          | 4   |
| 27 |      | SS6090630TP | SCREW 9/64-40 L=6              | 5   |
| 28 |      | WP1002036SE | WASHER 10X21X2                 | 4   |
| 29 |      | WS1002560KR | SPRING WASHER 10X18X2.5        | 4   |

1..#01EXCEPT JE / 2..#02FOR JE / 3... /

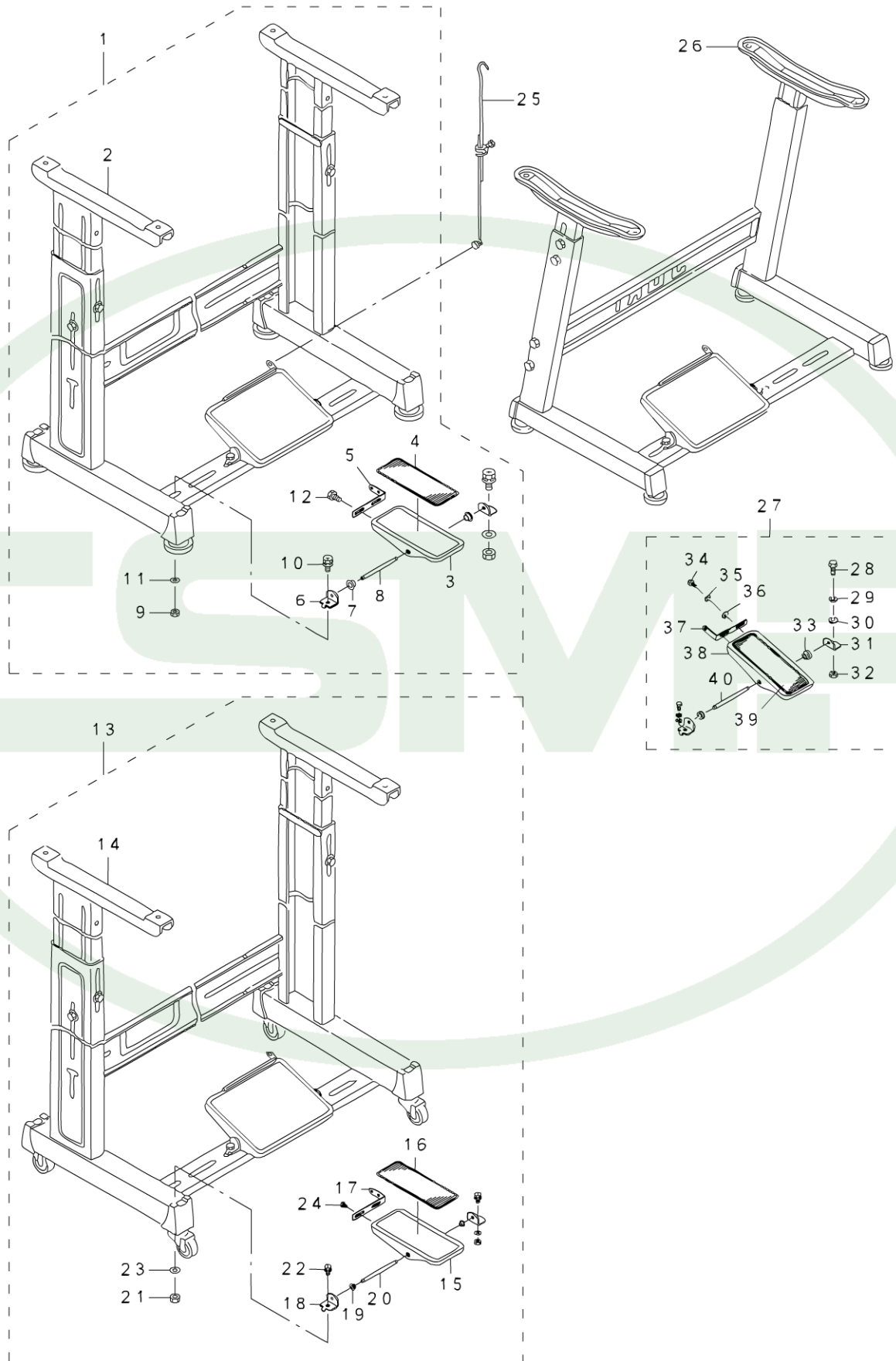






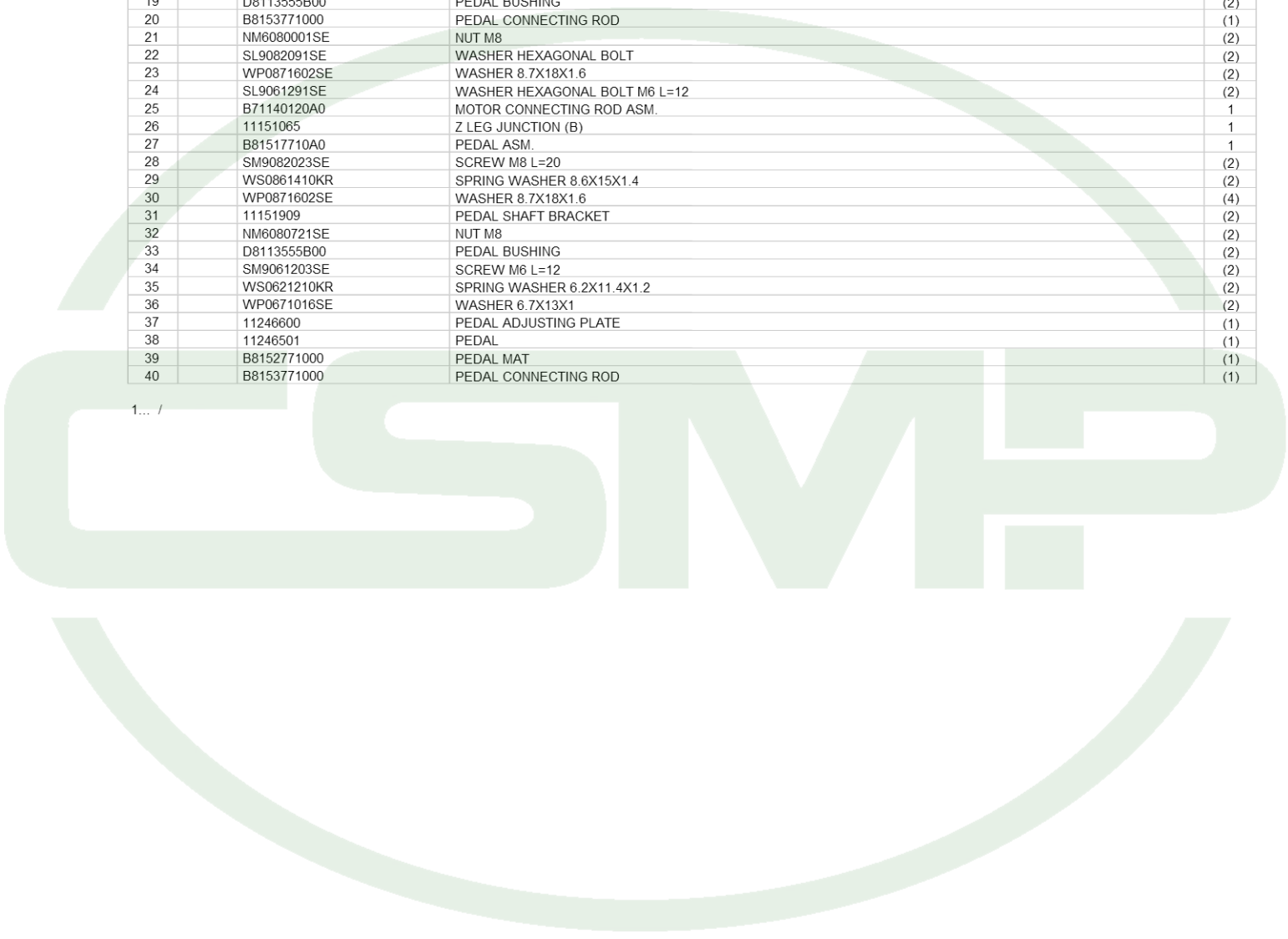
| No | note | Parts No.   | DESCRIPTION                  | Qty |
|----|------|-------------|------------------------------|-----|
| 1  |      | 13161005    | CASE SPONGE                  | 1   |
| 2  |      | 13160908    | COOLING FAN CASE             | 1   |
| 3  | #02  | SS5110710SP | SCREW 11/64-40 L=7           | 2   |
| 4  | #02  | SK2351600SC | WOOD SCREW D=3.5 L=16        | 3   |
| 5  | #01  | 13155858    | CLOTH WASTE CHUTE ASM.       | 1   |
| 6  |      | 13156203    | CLOTH WASTE CHUTE            | (1) |
| 7  |      | 13156302    | CLOTH WASTE CHUTE INLET      | (1) |
| 8  |      | 13155908    | CHUTE INLET LEVER            | (1) |
| 9  |      | 13156005    | CHUTE INLET SPRING           | (1) |
| 10 |      | 13156104    | CHUTE INLET RUBBER           | (1) |
| 11 |      | SS6090420SP | SCREW 9/64-40 L=4.0          | (2) |
| 12 |      | ST60308210A | SCREW D=3-24 L=8             | (2) |
| 13 |      | ST60308210A | SCREW D=3-24 L=8             | (1) |
| 14 |      | WP0370316SD | WASHER 3.7X8X0.3             | (1) |
| 15 |      | 11959558    | TABLE ASM.                   | 1   |
| 16 |      | 13155403    | DUST-PROOF RUBBER            | 4   |
| 17 |      | 13155106    | HOLDING PLATE BOLT C         | 2   |
| 18 |      | 13155205    | HOLDING PLATE BOLT D         | 2   |
| 19 | #02  | 13155759    | CLOTH WASTE CHUTE ASM.       | 1   |
| 20 |      | 13155601    | CLOTH WASTE CHUTE INLET      | (1) |
| 21 |      | 13155700    | CLOTH WASTE CHUTE UPPER      | (1) |
| 22 |      | 13155502    | CHUTE SUPPORT                | (1) |
| 23 |      | SS5090610SP | SCREW 9/64-40 L=6            | (3) |
| 24 |      | NS6090310SP | NUT 9/64-40                  | (3) |
| 25 | #02  | 12341806    | CLOTH WASTE CHUTE            | 1   |
| 26 |      | 13161153    | FRAME SUPPORT PLATE ASM.     | 1   |
| 27 |      | 13155304    | FRAME HOLDING PLATE COUPLING | 1   |
| 28 |      | SM9082513CF | SCREW M8 L=25                | 4   |
| 29 |      | NM6080600SM | NUT M8                       | 4   |
| 30 |      | WP0850002SC | WASHER 8.5X18X1.6            | 4   |
| 31 |      | SK3513200SC | WOOD SCREW D=5.1 L=32        | 4   |
| 32 |      | 11155108    | DRAWER                       | 1   |
| 33 |      | 11155207    | DRAWER SUPPORT               | 2   |
| 34 |      | D8204555D00 | DRAWER STOPPER               | 1   |
| 35 |      | SK3311500SC | WOOD SCREW D=3.1 L=15        | 6   |
| 36 |      | WS1002560KR | SPRING WASHER 10X18X2.5      | 4   |
| 37 |      | SS6090630TP | SCREW 9/64-40 L=6            | 5   |
| 38 | #01  | SS5110710SP | SCREW 11/64-40 L=7           | 2   |
| 39 |      | WP1002036SE | WASHER 10X21X2               | 12  |
| 40 |      | NS6240630SE | NUT 3/8-18                   | 12  |

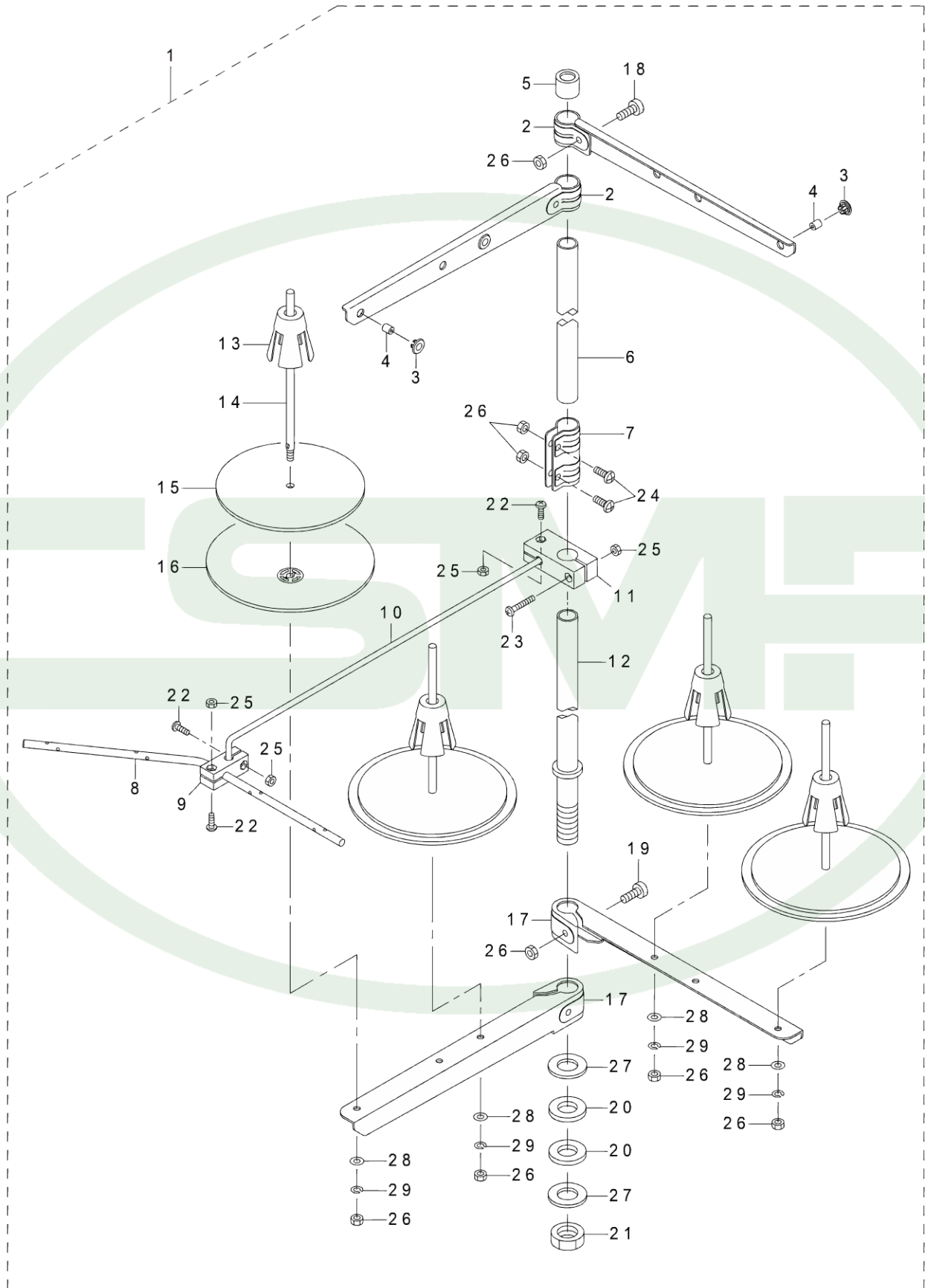
1...#01EXCEPT JE / 2...#02FOR JE / 3... /



| No | note | Parts No.   | DESCRIPTION                   | Qty |
|----|------|-------------|-------------------------------|-----|
| 1  |      | 11960655    | T STAND JUNCTION              | 1   |
| 2  |      | 11157567    | T LEG JUNCTION                | (1) |
| 3  |      | GPF06060000 | PEDAL                         | (1) |
| 4  |      | GPF06070000 | PEDAL MAT                     | (1) |
| 5  |      | GPF06080000 | PEDAL ADJUSTING PLATE         | (1) |
| 6  |      | 11159001    | PEDAL SHAFT BRACKET           | (2) |
| 7  |      | D8113555B00 | PEDAL BUSHING                 | (2) |
| 8  |      | B8153771000 | PEDAL CONNECTING ROD          | (1) |
| 9  |      | NM6080001SE | NUT M8                        | (2) |
| 10 |      | SL9082091SE | WASHER HEXAGONAL BOLT         | (2) |
| 11 |      | WP0871602SE | WASHER 8.7X18X1.6             | (2) |
| 12 |      | SL9061291SE | WASHER HEXAGONAL BOLT M6 L=12 | (2) |
| 13 |      | 11960754    | T STAND JUNCTION(WITH CASTER) | 1   |
| 14 |      | 11159365    | T STAND JUNCTION              | (1) |
| 15 |      | GPF06060000 | PEDAL                         | (1) |
| 16 |      | GPF06070000 | PEDAL MAT                     | (1) |
| 17 |      | GPF06080000 | PEDAL ADJUSTING PLATE         | (1) |
| 18 |      | 11159001    | PEDAL SHAFT BRACKET           | (2) |
| 19 |      | D8113555B00 | PEDAL BUSHING                 | (2) |
| 20 |      | B8153771000 | PEDAL CONNECTING ROD          | (1) |
| 21 |      | NM6080001SE | NUT M8                        | (2) |
| 22 |      | SL9082091SE | WASHER HEXAGONAL BOLT         | (2) |
| 23 |      | WP0871602SE | WASHER 8.7X18X1.6             | (2) |
| 24 |      | SL9061291SE | WASHER HEXAGONAL BOLT M6 L=12 | (2) |
| 25 |      | B71140120A0 | MOTOR CONNECTING ROD ASM.     | 1   |
| 26 |      | 11151065    | Z LEG JUNCTION (B)            | 1   |
| 27 |      | B81517710A0 | PEDAL ASM.                    | 1   |
| 28 |      | SM9082023SE | SCREW M8 L=20                 | (2) |
| 29 |      | WS0861410KR | SPRING WASHER 8.6X15X1.4      | (2) |
| 30 |      | WP0871602SE | WASHER 8.7X18X1.6             | (4) |
| 31 |      | 11151909    | PEDAL SHAFT BRACKET           | (2) |
| 32 |      | NM6080721SE | NUT M8                        | (2) |
| 33 |      | D8113555B00 | PEDAL BUSHING                 | (2) |
| 34 |      | SM9061203SE | SCREW M6 L=12                 | (2) |
| 35 |      | WS0621210KR | SPRING WASHER 6.2X11.4X1.2    | (2) |
| 36 |      | WP0671016SE | WASHER 6.7X13X1               | (2) |
| 37 |      | 11246600    | PEDAL ADJUSTING PLATE         | (1) |
| 38 |      | 11246501    | PEDAL                         | (1) |
| 39 |      | B8152771000 | PEDAL MAT                     | (1) |
| 40 |      | B8153771000 | PEDAL CONNECTING ROD          | (1) |

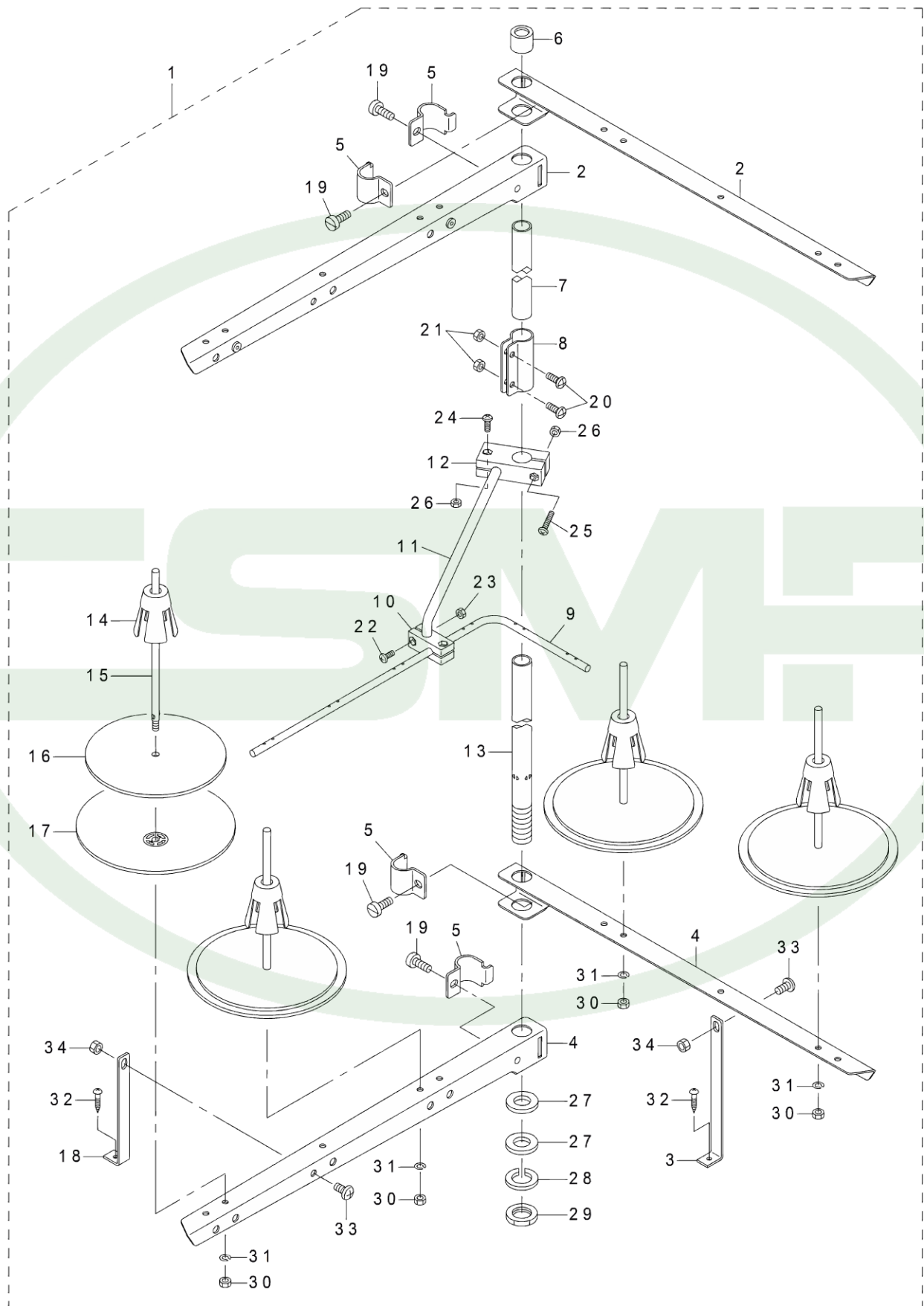
1... /





| No | note | Parts No.   | DESCRIPTION                   | Qty  |
|----|------|-------------|-------------------------------|------|
| 1  |      | 40106590    | THREAD STAND ASM.             | 1    |
| 2  |      | 40085787    | SPOOL REST ARM UPPER          | (2)  |
| 3  |      | 40085795    | THREAD GUIDE BUSHING          | (4)  |
| 4  |      | 40085794    | THREAD GUIDE                  | (4)  |
| 5  |      | 40085793    | SPOOL REST ROD RUBBER CAP     | (1)  |
| 6  |      | 40085785    | SPOOL REST ROD UPPER          | (1)  |
| 7  |      | 40085792    | SPOOL REST ROD JOINT          | (1)  |
| 8  |      | 40106582    | THREAD GUIDE 4                | (1)  |
| 9  |      | 40106580    | THREAD GUIDE UNDER BASE       | (1)  |
| 10 |      | 40106576    | THREAD GUIDE ARM              | (1)  |
| 11 |      | 40106579    | THREAD GUIDE ARM BASE         | (1)  |
| 12 |      | 40085784    | SPOOL REST ROD LOWER          | (1)  |
| 13 |      | 40085791    | SPOOL RETAINER                | (4)  |
| 14 |      | 40085790    | SPOOL PIN                     | (4)  |
| 15 |      | 40085789    | SPOOL REST CUSHION            | (4)  |
| 16 |      | 40085788    | SPOOL REST                    | (4)  |
| 17 |      | 40085786    | SPOOL REST ARM LOWER          | (2)  |
| 18 |      | 40096327    | SPOOL REST ARM UPPER SCREW    | (2)  |
| 19 |      | 40096326    | SPOOL REST ARM LOWER SCREW    | (2)  |
| 20 |      | 40085796    | SPOOL REST ROD RUBBER CUSHION | (2)  |
| 21 |      | 40096325    | SPOOL REST ROD NUT            | (1)  |
| 22 |      | SM4041201SC | SCREW M4 L=12                 | (3)  |
| 23 |      | SM4042501SC | SCREW M4X0.7 L=25             | (1)  |
| 24 |      | SM4051405SE | SCREW M5 L=14                 | (2)  |
| 25 |      | NM6040002SC | NUT M4                        | (4)  |
| 26 |      | NM6050001SE | NUT M5                        | (10) |
| 27 |      | WP1612616SE | WASHER 16X30X2.6              | (2)  |
| 28 |      | WP0531001SC | WASHER M5                     | (4)  |
| 29 |      | WS0510002KN | SPRING WASHER M5              | (4)  |

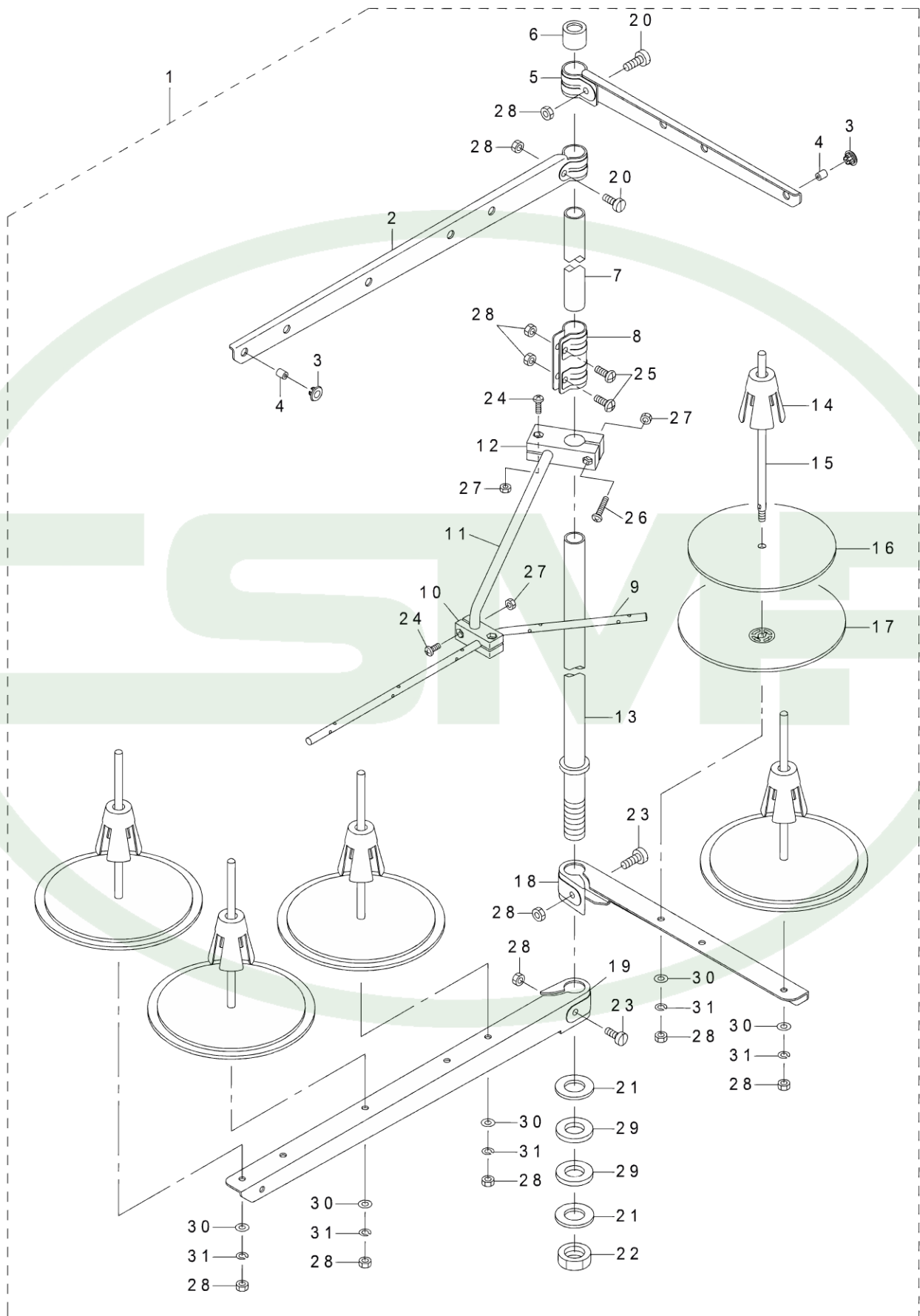
1... /



| No | note | Parts No.   | DESCRIPTION                   | Qty  |
|----|------|-------------|-------------------------------|------|
| 1  |      | 40106593    | THREAD STAND ASM.             | 1    |
| 2  |      | 40106575    | SPOOL REST LONG ARM UPPER     | (2)  |
| 3  |      | 40085795    | THREAD GUIDE BUSHING          | (4)  |
| 4  |      | 40085794    | THREAD GUIDE                  | (4)  |
| 5  |      | 40096327    | SPOOL REST ARM UPPER SCREW    | (2)  |
| 6  |      | 40106577    | SPOOL REST ARM LOWER A        | (1)  |
| 7  |      | 40106574    | SPOOL REST LONG ARM LOWER     | (2)  |
| 8  |      | 40096326    | SPOOL REST ARM LOWER SCREW    | (2)  |
| 9  |      | 40106578    | SPOOL REST ARM LOWER B        | (1)  |
| 10 |      | 40085784    | SPOOL REST ROD LOWER          | (1)  |
| 11 |      | 40096325    | SPOOL REST ROD NUT            | (1)  |
| 12 |      | 40085789    | SPOOL REST CUSHION            | (4)  |
| 13 |      | 40085796    | SPOOL REST ROD RUBBER CUSHION | (2)  |
| 14 |      | 40085785    | SPOOL REST ROD UPPER          | (1)  |
| 15 |      | 40085793    | SPOOL REST ROD RUBBER CAP     | (1)  |
| 16 |      | 40085792    | SPOOL REST ROD JOINT          | (1)  |
| 17 |      | 40106576    | THREAD GUIDE ARM              | (1)  |
| 18 |      | 40106579    | THREAD GUIDE ARM BASE         | (1)  |
| 19 |      | 40106582    | THREAD GUIDE 4                | (1)  |
| 20 |      | 40106580    | THREAD GUIDE UNDER BASE       | (1)  |
| 21 |      | 40085788    | SPOOL REST                    | (4)  |
| 22 |      | 40085790    | SPOOL PIN                     | (4)  |
| 23 |      | 40085791    | SPOOL RETAINER                | (4)  |
| 24 |      | SM4041201SC | SCREW M4 L=12                 | (3)  |
| 25 |      | SM4051405SE | SCREW M5 L=14                 | (2)  |
| 26 |      | SM4042501SC | SCREW M4X0.7 L=25             | (1)  |
| 27 |      | SM4051001SE | SCREW M5 L=10                 | (2)  |
| 28 |      | SK3412001SE | WOOD SCREW D=4.1 L=20         | (2)  |
| 29 |      | NM6050001SE | NUT M5                        | (12) |
| 30 |      | NM6040002SC | NUT M4                        | (4)  |
| 31 |      | WP0531001SC | WASHER M5                     | (4)  |
| 32 |      | WP1612616SE | WASHER 16X30X2.6              | (2)  |
| 33 |      | WS0510002KN | SPRING WASHER M5              | (4)  |

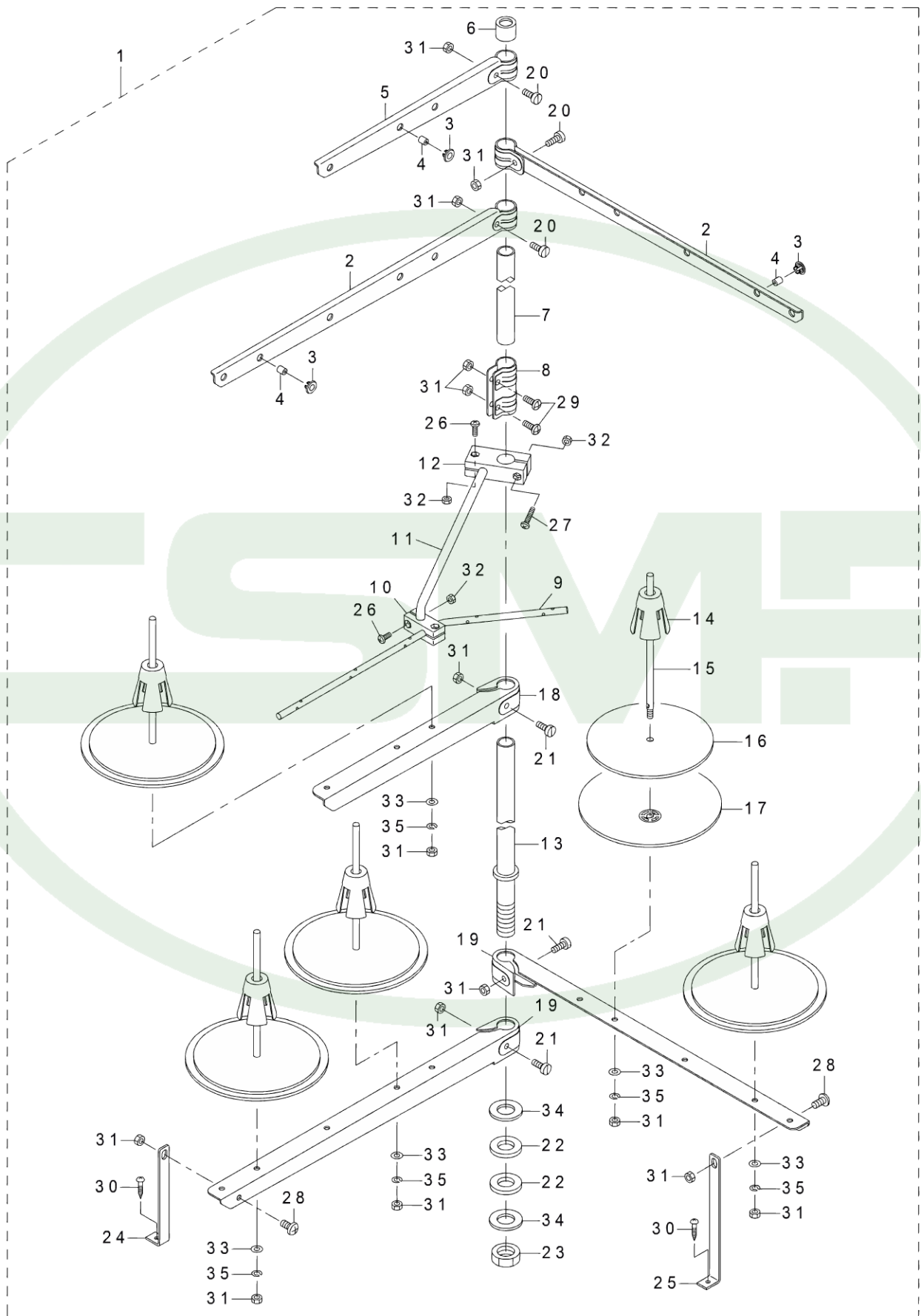
1... /





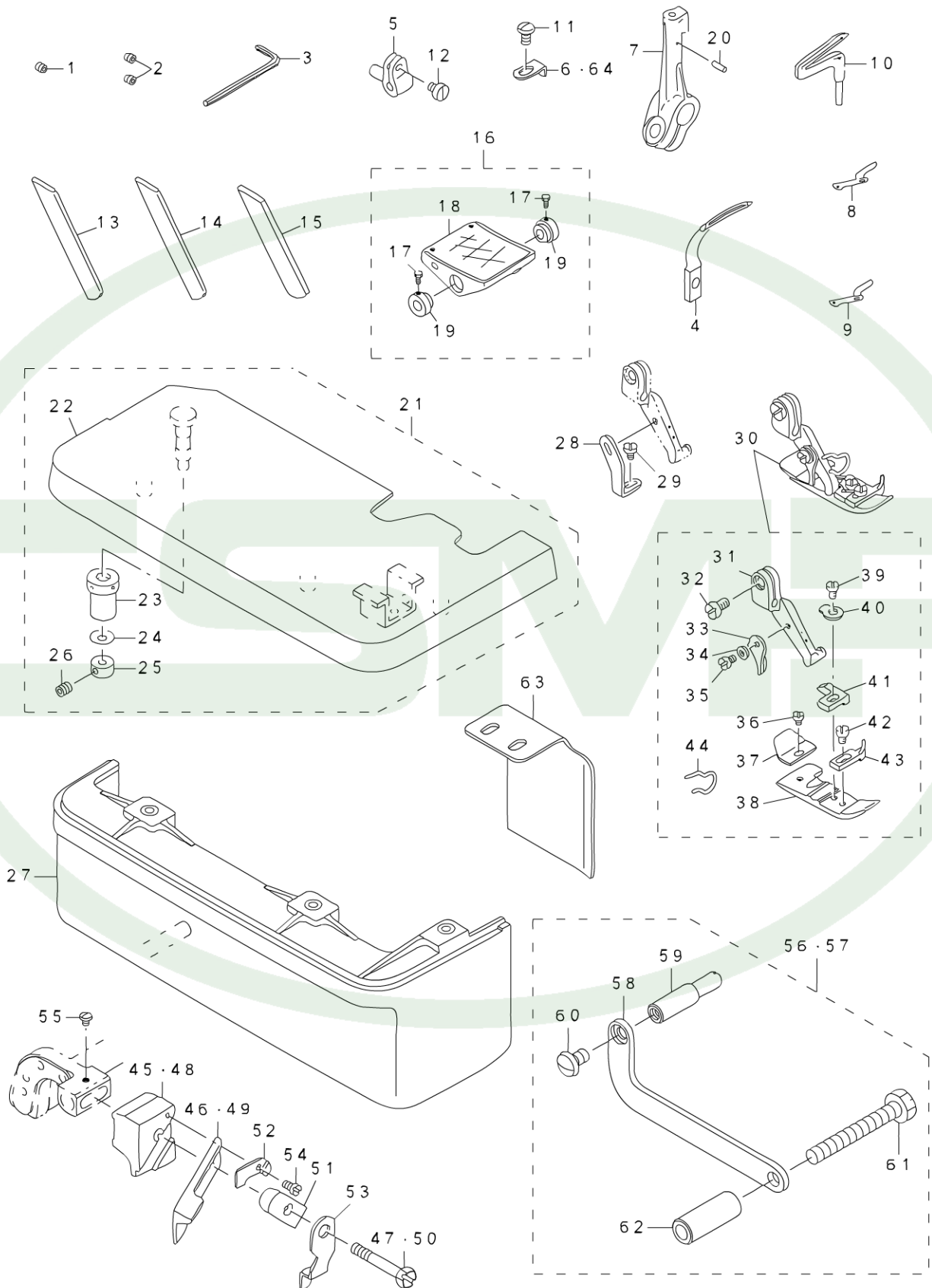
| No | note | Parts No.   | DESCRIPTION                   | Qty  |
|----|------|-------------|-------------------------------|------|
| 1  |      | 40106591    | THREAD STAND ASM.             | 1    |
| 2  |      | 40106575    | SPOOL REST LONG ARM UPPER     | (1)  |
| 3  |      | 40085794    | THREAD GUIDE                  | (5)  |
| 4  |      | 40085795    | THREAD GUIDE BUSHING          | (5)  |
| 5  |      | 40085787    | SPOOL REST ARM UPPER          | (1)  |
| 6  |      | 40085793    | SPOOL REST ROD RUBBER CAP     | (1)  |
| 7  |      | 40085785    | SPOOL REST ROD UPPER          | (1)  |
| 8  |      | 40085792    | SPOOL REST ROD JOINT          | (1)  |
| 9  |      | 40106581    | THREAD GUIDE 5                | (1)  |
| 10 |      | 40106580    | THREAD GUIDE UNDER BASE       | (1)  |
| 11 |      | 40106576    | THREAD GUIDE ARM              | (1)  |
| 12 |      | 40106579    | THREAD GUIDE ARM BASE         | (1)  |
| 13 |      | 40085784    | SPOOL REST ROD LOWER          | (1)  |
| 14 |      | 40085791    | SPOOL RETAINER                | (5)  |
| 15 |      | 40085790    | SPOOL PIN                     | (5)  |
| 16 |      | 40085789    | SPOOL REST CUSHION            | (5)  |
| 17 |      | 40085788    | SPOOL REST                    | (5)  |
| 18 |      | 40085786    | SPOOL REST ARM LOWER          | (1)  |
| 19 |      | 40106574    | SPOOL REST LONG ARM LOWER     | (1)  |
| 20 |      | 40096327    | SPOOL REST ARM UPPER SCREW    | (2)  |
| 21 |      | 40085796    | SPOOL REST ROD RUBBER CUSHION | (2)  |
| 22 |      | 40096325    | SPOOL REST ROD NUT            | (1)  |
| 23 |      | 40096326    | SPOOL REST ARM LOWER SCREW    | (2)  |
| 24 |      | SM4041201SC | SCREW M4 L=12                 | (3)  |
| 25 |      | SM4051405SE | SCREW M5 L=14                 | (2)  |
| 26 |      | SM4042501SC | SCREW M4X0.7 L=25             | (1)  |
| 27 |      | NM6040002SC | NUT M4                        | (4)  |
| 28 |      | NM6050001SE | NUT M5                        | (11) |
| 29 |      | WP1612616SE | WASHER 16X30X2.6              | (2)  |
| 30 |      | WP0531001SC | WASHER M5                     | (5)  |
| 31 |      | WS0510002KN | SPRING WASHER M5              | (5)  |

1... /



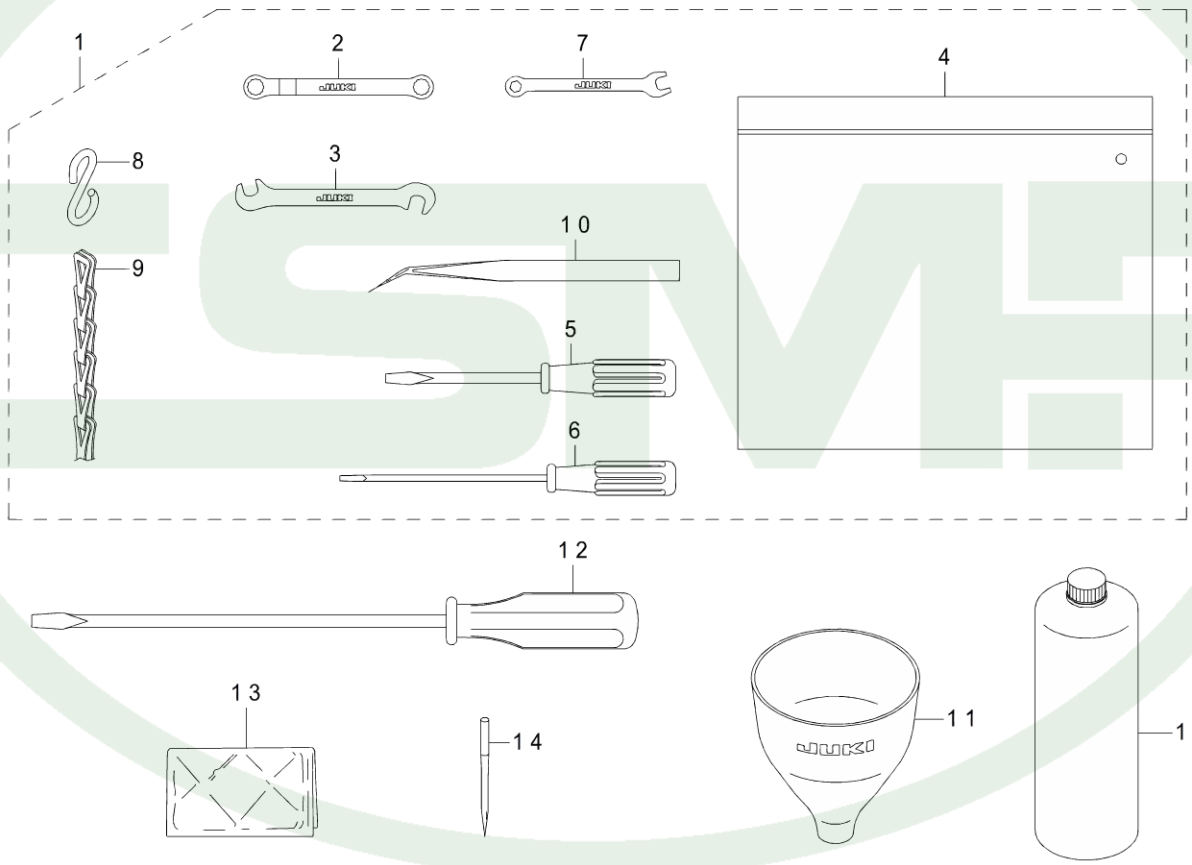
| No | note | Parts No.   | DESCRIPTION                   | Qty  |
|----|------|-------------|-------------------------------|------|
| 1  |      | 40106604    | THREAD STAND ASM.             | 1    |
| 2  |      | 40106575    | SPOOL REST LONG ARM UPPER     | (2)  |
| 3  |      | 40085794    | THREAD GUIDE                  | (5)  |
| 4  |      | 40085795    | THREAD GUIDE BUSHING          | (5)  |
| 5  |      | 40085787    | SPOOL REST ARM UPPER          | (1)  |
| 6  |      | 40085793    | SPOOL REST ROD RUBBER CAP     | (1)  |
| 7  |      | 40085785    | SPOOL REST ROD UPPER          | (1)  |
| 8  |      | 40085792    | SPOOL REST ROD JOINT          | (1)  |
| 9  |      | 40106581    | THREAD GUIDE 5                | (1)  |
| 10 |      | 40106580    | THREAD GUIDE UNDER BASE       | (1)  |
| 11 |      | 40106576    | THREAD GUIDE ARM              | (1)  |
| 12 |      | 40106579    | THREAD GUIDE ARM BASE         | (1)  |
| 13 |      | 40085784    | SPOOL REST ROD LOWER          | (1)  |
| 14 |      | 40085791    | SPOOL RETAINER                | (5)  |
| 15 |      | 40085790    | SPOOL PIN                     | (5)  |
| 16 |      | 40085789    | SPOOL REST CUSHION            | (5)  |
| 17 |      | 40085788    | SPOOL REST                    | (5)  |
| 18 |      | 40085786    | SPOOL REST ARM LOWER          | (1)  |
| 19 |      | 40106574    | SPOOL REST LONG ARM LOWER     | (2)  |
| 20 |      | 40096327    | SPOOL REST ARM UPPER SCREW    | (3)  |
| 21 |      | 40096326    | SPOOL REST ARM LOWER SCREW    | (3)  |
| 22 |      | 40085796    | SPOOL REST ROD RUBBER CUSHION | (2)  |
| 23 |      | 40096325    | SPOOL REST ROD NUT            | (1)  |
| 24 |      | 40106577    | SPOOL REST ARM LOWER A        | (1)  |
| 25 |      | 40106578    | SPOOL REST ARM LOWER B        | (1)  |
| 26 |      | SM4041201SC | SCREW M4 L=12                 | (3)  |
| 27 |      | SM4042501SC | SCREW M4X0.7 L=25             | (1)  |
| 28 |      | SM4051001SE | SCREW M5 L=10                 | (2)  |
| 29 |      | SM4051405SE | SCREW M5 L=14                 | (2)  |
| 30 |      | SK3412001SE | WOOD SCREW D=4.1 L=20         | (2)  |
| 31 |      | NM6050001SE | NUT M5                        | (15) |
| 32 |      | NM6040002SC | NUT M4                        | (4)  |
| 33 |      | WP0531001SC | WASHER M5                     | (5)  |
| 34 |      | WP1612616SE | WASHER 16X30X2.6              | (2)  |
| 35 |      | WS0510002KN | SPRING WASHER M5              | (5)  |

1... /



| No | note | Parts No.   | DESCRIPTION                   | Qty |
|----|------|-------------|-------------------------------|-----|
| 1  | #01  | SS8080322TP | SCREW 1/8-44 L=3.2            | 1   |
| 2  | #02  | SS8080322TP | SCREW 1/8-44 L=3.2            | 2   |
| 3  |      | B9112804000 | SPANNER                       | 1   |
| 4  | #05  | 12120713    | CHAIN LOOPER                  | 1   |
| 5  |      | 11544707    | UPPER LOOPER SUPPORT ARM      | 1   |
| 6  | #01  | 11898103    | PRESSER FOOT AUXILIARY PLATE  | 1   |
| 7  |      | 12123709    | LOWER LOOPER SUPPORT ARM      | 1   |
| 8  | #03  | B2519804000 | UPPER LOOPER                  | 1   |
| 9  | #04  | B2519814000 | UPPER LOOPER                  | 1   |
| 10 |      | B2521804000 | LOWER LOOPER                  | 1   |
| 11 | #01  | SS4080620TP | SCREW 1/8-44 L=6              | 1   |
| 12 |      | SS6080410SP | SCREW 1/8-44 L=4              | 1   |
| 13 |      | 11847605    | LOWER KNIFE                   | 1   |
| 14 |      | 11964509    | CERAMIC LOWER KNIFE           | 1   |
| 15 |      | 11992005    | LOWER KNIFE                   | 1   |
| 16 |      | 11965753    | PEDAL ASM.                    | 1   |
| 17 |      | SM9061203SE | SCREW M6 L=12                 | (2) |
| 18 |      | 11965704    | PEDAL                         | (1) |
| 19 |      | 11965803    | PEDAL THRUST COLLAR           | (2) |
| 20 |      | PS0200062KH | SPRING PIN 2X6                | 1   |
| 21 | #05  | 12105458    | CLOTH PLATE ASM.              | 1   |
| 22 |      | 12104550    | CLOTH PLATE ASM.              | (1) |
| 23 |      | 11501301    | ECCENTRIC BUSHING             | (1) |
| 24 |      | WZ0420350KP | DISC SPRING                   | (1) |
| 25 |      | CS0400671SD | THRUST HOLDER                 | (1) |
| 26 |      | SM8040302TP | SETSCREW                      | (1) |
| 27 | #05  | 11949104    | CLOTH BASE COVER              | 1   |
| 28 | #01  | B1539804000 | PRESSER FOOT FIXING PLATE     | 1   |
| 29 | #01  | SS6060410TP | SCREW 3/32-56 L=3.5           | 1   |
| 30 | #04  | 12152468    | PRESSER FOOT(FINGER GUARD)    | 1   |
| 31 |      | 11872009    | PRESSER FOOT HINGE            | (1) |
| 32 |      | SS6090670TP | SCREW 9/64-40 L=6             | (1) |
| 33 |      | B1530804000 | STOPPER                       | (1) |
| 34 |      | WP0250516SD | WASHER 2.5X6X0.5              | (1) |
| 35 |      | SS7060610SP | SCREW 3/32-56 L=5.5           | (1) |
| 36 |      | SS6060210SP | SCREW 3/32-56 L=1.9           | (1) |
| 37 |      | B1511814000 | REAR PRESSER FOOT             | (1) |
| 38 |      | B150781400P | PRESSER FOOT                  | (1) |
| 39 |      | SS7080520SP | SCREW 1/8-44 L=4.9            | (1) |
| 40 |      | B150880400B | SPRING                        | (1) |
| 41 |      | 12160008    | STITCH TONGUE                 | (1) |
| 42 |      | SS6060440TP | SCREW 3/32-56 L=3.5           | (1) |
| 43 |      | B1510814000 | CURL GUARD                    | (1) |
| 44 |      | 13178306    | FINGER GUARD                  | 1   |
| 45 | #01  | 11598000    | UPPER KNIFE SUPPORT           | 1   |
| 46 | #01  | 11845807    | UPPER KNIFE                   | 1   |
| 47 | #01  | SS9111610SP | SCREW 11/64-40 L=16           | 1   |
| 48 | #05  | 11845500    | UPPER KNIFE SUPPORT           | 1   |
| 49 | #05  | 11845906    | UPPER KNIFE                   | 1   |
| 50 | #05  | SS9112310SP | SCREW 11/64-40 L=23           | 1   |
| 51 | #05  | 11565504    | UPPER KNIFE PRESSER PLATE     | 1   |
| 52 |      | 11565702    | WASHER                        | 1   |
| 53 |      | 11848405    | UPPER KNIFE COVER             | 1   |
| 54 |      | SS4060310SP | SCREW 3/32-56 L=2.5           | 1   |
| 55 |      | SS4060310SP | SCREW 3/32-56 L=2.5           | 1   |
| 56 |      | 40025294    | SYNCHRONIZER STOPPER ASM.     | 1   |
| 57 |      | 40011755    | SYNCHRONIZER TURN STOPPER ASM | 1   |
| 58 |      | 40011757    | SYNCHRONIZER STOPPER BASE     | (1) |
| 59 |      | 40022255    | SYNCHRONIZER STOPPER          | (1) |
| 60 |      | SS5120810SP | SCREW                         | (1) |
| 61 |      | SS9154540SP | SCREW 15/64-28 L=45           | (1) |
| 62 |      | 40011758    | SYNCHRONIZER BASE COLLAR      | (1) |
| 63 |      | 40036778    | V. BELT SLIDER                | 1   |
| 64 | #04  | 40030533    | PRESSER FOOT AUXILIARY PLATE  | 1   |

1...#01FOR MO-6704S / 2...#02FOR MO-6714S/MO-6716S / 3...#03FOR MO-6704S/MO-6716S / 4...#04FOR MO-6714S / 5...#05FOR MO-6716S / 6... /



| No | note | Parts No.   | DESCRIPTION           | Qty |
|----|------|-------------|-----------------------|-----|
| 1  |      | 13160858    | ACCESSORIE BAG ASM.   | 1   |
| 2  |      | 13160007    | RING SPANNER          | (1) |
| 3  |      | 13160205    | PIN SPANNER           | (1) |
| 4  |      | 22932800    | ACCESSORIE BAG        | (1) |
| 5  |      | 22933105    | SCREW DRIVER MIDDLE   | (1) |
| 6  |      | 12347308    | SCREW DRIVER (SMALL)  | (1) |
| 7  |      | 13160106    | SPANNER (5X6)         | (1) |
| 8  |      | 13160304    | S SHAPED HOOK         | (2) |
| 9  |      | 13160403    | CHAIN                 | (1) |
| 10 |      | 12288403    | TWEEZERS              | (1) |
| 11 |      | 13160601    | FUNNEL                | 1   |
| 12 |      | 22933006    | SCREW DRIVER LARGE    | 1   |
| 13 |      | 40048535    | HEAD COVER            | 1   |
| 14 |      | MDC270B1104 | NEEDLE DCX27 #11-4EA. | 1   |
| 15 |      | MML018900CA | JUKI MACHINE OIL 18   | 1   |

1... / 2...undefined / 3...undefined / 4...undefined / 5...undefined / 6...undefined / 7...undefined / 8...undefined / 9...undefined / 10...undefined / 11...undefined / 12...undefined / 13...undefined / 14...undefined / 15...undefined / 16...undefined / 17...undefined / 18...undefined / 19...undefined / 20...undefined / 21...undefined / 22...undefined / 23...undefined / 24...undefined / 25...undefined / 26...undefined / 27...undefined / 28...undefined / 29...undefined / 30...undefined / 31...undefined / 32...undefined / 33...undefined / 34...undefined / 35...undefined / 36...undefined / 37...undefined / 38...undefined / 39...undefined / 40...undefined / 41...undefined / 42...undefined / 43...undefined / 44...undefined / 45...undefined / 46...undefined / 47...undefined / 48...undefined / 49...undefined / 50...undefined / 51...undefined / 52...undefined / 53...undefined / 54...undefined / 55...undefined / 56...undefined / 57...undefined / 58...undefined / 59...undefined / 60...undefined / 61...undefined / 62...undefined /





